



Alabama Department of Education  
 Invitation to Bid  
**ALJP2012**  
 Information Technology

Invitation to Bid No: ALJP2012 Addendum No: NA

DATE ISSUED: May 30, 2012  
 BID MUST BE RECEIVED BEFORE: July 17, 2012 - 5 PM  
 BIDS WILL BE PUBLICLY OPENED: July 18, 2012 - 9 AM  
 ITB Contact: Jerome Browning Phone: (334) 242-9594  
 ITB EMAIL: jrbrowning@alsde.edu

**TO BE COMPLETED BY VENDOR:**

Product Line for this Submission: **SMART**

Product Line Offering & Base Pricing Source Type: 6. Manufacturer's published catalogue that may not be made available to the general public, but made available to the A

Potential PLC Website/Link/URL (see pg.12): [www.smarttech.com/aljp2012.html](http://www.smarttech.com/aljp2012.html)

Proposed Discount Off Base Pricing (pg. 33)	Single Discount to be Applied: _____ %	Categorical Discounts to be Applied: <input checked="" type="checkbox"/>
---	--	--

ALJP Price List Included in CD with Package (pg. 21):

**International Organization for Standardization (ISO) Certification:**

ISO Standard: ISO 9001:2001	Other ISO:
Issuing Registrar: QMI - SAI Global	Registrar Contact: Carol Sakamoto
Certificate ID#: CERT0041772	Email: carol.sakamoto@saiglobal.com
Issue Date: March 21, 2011	Phone: 778 297 5524
Expiration Date: March 31, 2014	Website: www.qmi.com/qmi_companies

**\*\*\*\* IMPORTANT NOTE: \*\*\*\***

Bidders must read and comply with ALL bid response instructions and requirements as provided within this ITB document and initial each page.

Return Sealed Bids To:

**Regular Mail**  
 Alabama Department of Education  
 Technology Initiatives  
 5315 Gordon Persons Building  
 P.O. Box 302101  
 Montgomery, AL 36130-2101

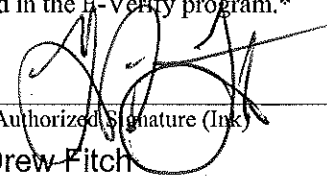
**Courier**  
 Alabama Department of Education  
 Technology Initiatives  
 50 N. Ripley St.  
 5315 Gordon Persons Building  
 Montgomery, AL 36104-3833

**Certifications:**

- I have read the entire bid and agree to furnish the product line offered at the discount described within this response, if awarded. I hereby affirm I have not been in any agreement or collusion among bidders in restraint of freedom of competition.
- As a condition for the award of any contract by the State of Alabama, any political subdivision thereof, or any state-funded entity to a business entity or employer that employs one or more employees, I hereby attest that in my capacity with the company submitting this bid response that company listed below shall not knowingly employ, hire for employment, or continue to employ an unauthorized alien. I further attest that company is enrolled in the E-Verify program.\*

Signature and Notarization Required:

880411936  
 FEIN OR SSN  
 SMART Technologies Corporation  
 COMPANY NAME  
 1655 North Fort Myer Dr Suite 1120  
 MAIL ADDRESS  
 Arlington, VA 22209  
 City, State Zip  
 403 245 0333  
 Phone Including Area Code

  
 Authorized Signature (Ink)  
 Drew Fitch  
 TYPE/PRINT AUTHORIZED NAME  
 CFO and VP Finance  
 Title  
 1 888 42 SMART  
 Toll Free Number  
 403 228 2500  
 Fax Number

SWORN TO AND SUBSCRIBED

BEFORE ME THIS

11 DAY OF July, 2012



NOTARY PUBLIC

Term Exp:

Barrister & Solicitor



## ROLES AND RESPONSIBILITIES

---

### JOINT PURCHASING PARTIES

---

Title 16 Chapter 61E of the Code of Alabama 1975 (16-61E-2-(2)) states that "Educational and eleemosynary institutions governed by boards of trustees or similar governing bodies, state trade schools, state junior colleges, state colleges, or universities under the supervision and control of the State Board of Education, city and county boards of education, district boards of education of independent school districts, Department of Youth Services, the Alabama Institute for Deaf and Blind, the Alabama School of Fine Arts, and the Alabama School of Math and Science." All educational and defined eleemosynary institutions that meet this definition may be eligible to participate once a joint purchasing agreement has been properly executed. A list of these participating entities is available at <http://aljp.alsde.edu>.

### ALABAMA PUBLIC SCHOOL SYSTEMS

The Montgomery County School System has agreed to initiate the process in the role of Party A of the joint purchasing agreement. The agreement has been entered into by the remaining public K-12 school systems and other educational institutions as defined above, also known as Local Education Agencies, each are considered as Party B in the agreement. The Montgomery County School System and these educational institutions will be hereafter referred to as "LEA Group." Only the LEA Group may purchase from the resulting contract(s) of this bid. All current and developing public K-12 county and city school systems recognized by the Alabama Department of Education are considered participants in the LEA Group unless documentation is received from the potential participant declining participation. Participation by the LEA Group Members through purchasing from any contract(s) resulting from this ITB is optional.

### OTHER PURCHASING PARTIES

Per Title 16 Chapter 61E of the Code of Alabama 1975, universities, state colleges, and certain eleemosynary organizations have also elected to participate. These entities are required to complete a joint purchasing agreement prior to participation. A list of all participants can be found at <http://aljp.alsde.edu>.

## ADMINISTRATOR

63

64

65 The LEA Group has assigned the Alabama Department of Education as the Joint Purchasing Administrator for  
66 the execution of the Alabama Joint Purchasing (ALJP) project in accordance to Title 16 Chapter 61E of the Code  
67 of Alabama 1975. It will be the Alabama Department of Education's, hereafter referred to as "SDE,"  
68 responsibility for the invitation to bid, evaluating bids received, and awarding the contract(s), in which the SDE  
69 must have responsibility to comply with Chapter 13B of Title 16, Code of Alabama 1975. It is important,  
70 however, to remember that all the terms and conditions of Title 16, Chapter 13B, Code of Alabama 1975 (see  
71 <http://www.legislature.state.al.us/CodeofAlabama/1975/coatoc.htm>), that are not expressly modified by Title 16 Chapter  
72 61E of the Code of Alabama 1975 shall apply to joint purchasing agreements. This bid and resulting contract(s)  
73 does not supersede individual purchasing activities by the individual members of the LEA Group. For example,  
74 if an individual group member of the LEA Group wants to purchase Information Technology from vendors that  
75 do not meet the ISO 9001 requirement they are free to develop a separate bid in accordance to Title 16,  
76 Chapter 13B, Code of Alabama 1975, and all other bid laws that are applicable.

77 The SDE may not be allowed to purchase from the resulting contract(s) unless approval is received from the  
78 Alabama Department of Finance.

79 Though the SDE as administrator has sole responsibilities for the administration of this project, a committee  
80 consisting of technology representatives from the LEA Group will assist the SDE in all phases of the project  
81 including awarding of contracts.

82

## QUALIFIED BIDDER

83

84 In accordance with Title 16 Chapter 61E of the Code of Alabama 1975 (Section 16-61E-1), "any companies that  
85 have ISO-9001 certification or any companies or contractors whose affiliates, subdivisions, subsidiaries, or  
86 departments have ISO-9001 certification can bid on the information technology to be jointly purchased by..."  
87 the LEA Group. This certification criterion is critical and any vendor that would like to submit a qualified  
88 response for this Invitation to Bid must provide documentation proving current ISO 9001 certification in  
89 accordance to Title 16 Chapter 61E of the Code of Alabama 1975. Any interested bidder that meets this  
90 requirement will be hereafter referred to as a "Qualified Bidder." For further clarification of the ISO 9001  
91 requirement see appendices and [www.iso.org](http://www.iso.org). The current quality management standards of International  
92 Organization for Standardization (ISO) acceptable to meet the requirements of a "Qualified Bidder" are ISO  
93 9001:2008. The ISO 9004:2009 or other related "Quality Management and Quality Assurance" standards set  
94 by ISO may also be accepted. This certification is required by any awarded Qualified Bidder throughout the life  
95 of any contract awarded as a result of this ITB.

96 The Qualified Bidder will provide detail and contact information including Registrar information and Registrar's  
97 Website. The SDE reserves the right to confirm ISO certification through contact of listed Registrar or other  
98 resources that may be available for verification. Complete detail of documenting the ISO requirement is  
99 provided in the Bid Submittal section of this ITB.



100 All interested bidders must read this document in its entirety. Qualified Bidders who choose to respond must  
101 print and read this document and confirm with initial on each page of the footer. This initialed document must  
102 be submitted with final response. A Qualified Bidder must respond to the ITB using the format as described  
103 within this document in order for the response to become a qualified response.

#### 104 QUALIFIED BIDDER TYPE

105 There are typically two types of Qualified Bidders (but not limited to):

#### 106 MANUFACTURER WITH ISO 9001 CERTIFICATION

107 Any ISO 9001-certified manufacturer who meets bids specifications can bid on any of the product lines listed in  
108 this ITB.

109 Manufacturers may be the sole seller of the product line and/or they may assign specific ALJP Authorized  
110 Resellers to sell the contracted products within the product line. The manufacturer is responsible for the  
111 assigned ALJP Authorized Resellers and must assure these entities are providing appropriate services to the  
112 LEA Group member as defined within the resulting contract. If the manufacturer sells the product line then  
113 inclusion of the manufacturer's Sales Contact information is required. A Sales Contacts/ALJP Authorized  
114 Resellers List must be provided.

115 All contract holders must keep this list updated and accurate. Historical documentation must be maintained  
116 with respect to this list.

#### 117 ISO 9001-CERTIFIED AUTHORIZED RESELLER

118 An ISO 9001 Certified Authorized Reseller is a vendor who is authorized by the manufacturer to resell the  
119 manufacturer's product line or specific product line request as listed within this ITB.

120 In some cases these Qualified Bidders solely provide sales through their own staff within their company and  
121 may not assign resellers, however any awarded contract holder has the option. If this option is chosen then the  
122 ISO 9001 – Certified Authorized Reseller (Qualified Bidder) may assign specific **ALJP Authorized Resellers** to sell  
123 the contracted products within the product line. The Qualified Bidder is responsible for the assigned ALJP  
124 Authorized Resellers and must assure these entities are providing appropriate services to the LEA Group  
125 member as defined within the resulting contract. If the Qualified Bidder also sells the product line then  
126 inclusion of the Qualified Bidder's Sales Contact information is required. A Sales Contacts/ALJP Authorized  
127 Resellers List must be provided.

128 All contract holders must keep this list updated and accurate. Historical documentation must be maintained  
129 with respect to this list.

130 The Qualified Bidder, as described in this section, bidding for a Product Line as an Authorized Reseller (Note:  
131 Authorized Reseller is not equivalent an ALJP Authorized Reseller) must submit with this bid package a current  
132 and dated letter addressed to the SDE from the manufacturer of the Product Line on the official manufacturer  
133 letterhead that includes all of the following:

134 1. A statement that the Qualified Bidder is a Product Line Manufacturer authorized reseller.

- 135 2. A statement indicating that the Qualified Bidder is an education reseller (if applicable). If the  
 136 manufacturer does not have an education marketing program indicate so.  
 137 3. Provide a short history of the Qualified Bidder's and Manufacturer's relationship.  
 138 4. The Manufacturer's opinion as to whether the Qualified Bidder can provide satisfactory service  
 139 to the LEA Group and a description of how the Qualified Bidder will serve the market with the  
 140 Manufacturer's support.  
 141 5. The Qualified Bidder is authorized by the Manufacturer of the Product Line to bid and  
 142 participate in this ITB.

143 The letter must be signed by a management employee of Manufacturer who will note in the letter  
 144 their explicit authority to sign the letter on behalf of the manufacturer and provide direct contact  
 145 information for further verification.

146 In each case above, the ALJP Authorized Resellers do not have to hold ISO certifications. The awarded Contract  
 147 Holder must hold the required ISO certification and will be held responsible, with respect to the continuance of  
 148 contract, for the business conduct of each vendor listed within their submitted and any revisions of the ALJP  
 149 Authorized Resellers Listing/Sales Contacts. The awarded Contract Holder will have the sole responsibility of  
 150 providing and updating the list of ALJP Authorized Resellers or Sales Contacts for auditing purposes. The SDE  
 151 will only exercise approval of this submitted list and any modifications made to the list. Additionally, the  
 152 Qualified Bidder (and Contract Holder) will be responsible for training their listed sales contacts and ALJP  
 153 Authorized Resellers in the pricing and other details of the contract if awarded.

154 A Manufacturer or Reseller of the manufacturer's product line can be considered a Qualified Bidder.

#### 155 DOMESTIC FOOTPRINT

156 In order to promote improvement of our State, Local and National economies, Qualified Bidders with a high  
 157 degree of Domestic manufacturing and/or sales facilities are encouraged to respond to this ITB. Qualified  
 158 Bidders may be requested to provide employment status as it relates to Alabama citizenship and other  
 159 information to determine their Domestic Footprint. In the event the Qualified Bidder includes ALJP Authorized  
 160 Resellers, the same domestic information may be requested from these entities as well.

#### 161 E-VERIFY REQUIREMENT

162 All contractors doing business with the Public K-12 School Systems in the State of Alabama are required to  
 163 comply with the Immigration Reform and Control Act of 1986, as amended by the Immigration Act of 1990,  
 164 and the Beason-Hammon Alabama Taxpayer and Citizen Protection Act. The Qualified Bidder will provide the  
 165 required documentation. The language in this Act refers to Contractors and Sub-Contractors. For the purpose  
 166 of this ITB, the Contractors will be considered Contract Holders, and the Sub-Contractors will be any other  
 167 companies listed as Authorized ALJP Resellers or sub-contractor of the Contract Holder performing contract  
 168 related services.

169

170

## ALABAMA MANUFACTURERS &amp; COMPANIES

171 The SDE encourages Qualified Bidders that are Alabama-based companies that produce and/or market the  
172 requested product line to submit responses to this ITB. In accordance with State Laws, ITB responses  
173 submitted by these Alabama companies may receive additional consideration during the final response  
174 evaluation. In the event a bid is received from a Qualified Bidder, having a place of business within the State of  
175 Alabama and the bid is no more than three percent greater than the bid of the lowest responsible bidder, the  
176 SDE may award the contract to the resident Qualified Bidder. [Code of Alabama 1975, Section 16-13B-(a) and  
177 section 16-13B-7(b)]

178

179

180

181

182

*Area intentionally left blank*

---

# CONTRACT INFORMATION

---

## CONTRACT TERMS AND CONDITIONS

---

---

### STATE MASTER CONTRACT

---

The SDE intends for the resulting contract(s) of this ITB to serve as a State Master Contract for the LEA Group to use as a resource for the purchase of Information Technology. The SDE makes no purchasing guarantee on behalf of the SDE or LEA Group Members to awarded vendor(s) with respect to quantities of products to be purchased by LEA Group Members from the resulting contract(s). The SDE makes no guarantee to awarded vendors of similar product lines or multiple vendors of the same product line that LEA Group members will choose their product over the other awarded vendor's product line contracts. The final awarded contract will consist of all documentation presented to the SDE by the Qualified Bidder in response to this ITB and the required documents during the life of the contract such as, but not limited to, contract holder ALJP website, updated ISO certificates, updated product line offering, pricing lists and updated sales contact information.

### CONTRACT HOLDER

---

A Contract Holder is considered a successful Qualified Bidder that has been awarded a given Product Line Contract based on the evaluation of their competitive and qualitative qualified response to this and other ITBs issued (if applicable) within the program. Depending on the number of individual successful responses a specific Qualified Bidder submits and is ultimately awarded, a Contract Holder may hold multiple contracts within the ALJP program. However, each contract awarded should be addressed as a separate instrument and should not be consolidated with other ALJP program contracts that a Contract Holder may hold nor should the Qualified Bidder's response be dependent upon another contract awarded to the Qualified Bidder through another entity outside or external contract not related to the ALJP (or AETP) program.

Throughout the text of this document the terms Contract Holder and Qualified Bidder may be used synonymously. However, a Qualified Bidder will only become a Contract Holder if a valid contract has been awarded to the Qualified Bidder based on the response submitted.

### MULTIPLE AWARDS

In accordance with Title 16, Chapter 61E, Code of Alabama 1975 [16-61E-2-(c)], "competitive bids for information technology may result in awards to multiple vendors for each one product line in order to meet the specific requirements of participating educational institutions or to achieve compatibility with existing technology already in use." Based on this allowance, The SDE reserves the right to award multiple contracts for any one product line, if deemed necessary.

215

216

217

## ALJP AGREEMENT

218 Awarded contract(s) will be documented and approved by the execution of an "ALJP Agreement" for the  
 219 individual awarded product line based on the accepted and awarded qualified bid. This document is an  
 220 agreement between the SDE as the contract administrator and the awarded contract holder. (See appendices  
 221 for representative sample) The ALJP Agreement serves as the binding document that establishes the contract.  
 222 The content and structure of this document has been approved by the SDE's Legal Department and must not  
 223 be altered with the exception of demographic and required calendar/date changes. In the event a Qualified  
 224 Bidder requires any content modifications that are not demographic in nature to the initially offered ALJP  
 225 Agreement document, the SDE may withdraw the contract offer or suspend offer to negotiate with the  
 226 Qualified Bidder depending on the calendar or deadline requirements of related programs, such as E-Rate, and  
 227 the best interest of the LEA Group Members.

228

## SUPPLEMENTAL AGREEMENTS &amp; LICENSING PROGRAMS

229 Supplemental agreements required by a contract holder such as those common agreements that the actual  
 230 buyer and/or user of products and/or services within the awarded product line contract are allowable under  
 231 an award. These supplemental or additional agreements must not contradict State of Alabama Laws, the ALJP  
 232 Agreement, the Terms & Conditions of this ITB, or increase the pricing of the awarded product line products  
 233 individually or as a whole. The calendar terms of these supplemental agreements must not contradict the  
 234 length of an awarded contract. The SDE will not execute such a blanket contract for all LEA Group Members;  
 235 the contract holder will be responsible for educating the LEA Group Members who choose to purchase the  
 236 products from the contract.

237 Many product lines such as software offer educational licensing programs common to the education market. If  
 238 it is determined to be in the best interests of the LEA Group Members, the SDE will consider a statewide level  
 239 execution of such an agreement. The SDE will not be responsible or make payments for any missed purchasing  
 240 quota placed on the LEA Group Members that may have been established within the said agreement but will  
 241 negotiate with the contract holder on an annual basis to determine if such a licensing agreement is beneficial  
 242 to the LEA Group Member and Contract Holder.

243

## E-VERIFY PARTICIPATION

244 All contractors doing business with the Public K-12 School Systems in the State of Alabama are required to  
 245 comply with the Immigration Reform and Control Act of 1986, as amended by the Immigration Act of 1990,  
 246 and the Beason-Hammon Alabama Taxpayer and Citizen Protection Act. The Qualified Bidder will provide  
 247 required documentation and will note the "Alabama Immigration Compliance" language located in the final  
 248 Agreement to be executed upon award of contract. The language in this section refers to Contractors and Sub-  
 249 Contractors. For the purpose of this ITB the Contractors will be considered Contract Holders and the Sub-  
 250 Contractors will be any other companies listed as Authorized ALJP Resellers.

251

## E-RATE

---

252 Occasionally product line contracts may contain E-Rate eligible products and/or services. If applicable, the  
253 required USAC *Description of Services Requested and Certification Form*, numerically known as a Form 470, will  
254 be filed by the SDE to include certain categories of E-Rate eligible products within the product lines for which  
255 this Invitation to Bid is seeking contracts. The resulting contract(s) are intended to be in compliance with  
256 USAC's definition of a State Master Contract for those product lines that contain E-Rate-eligible equipment or  
257 services. It is the responsibility of each of the E-Rate eligible individual members of the LEA Group and the  
258 awarded vendor and/or sales contacts for the awarded contract to follow the rules of the E-Rate Program with  
259 strict adherence to the Eligible Services List. In the event a sales contact, internal or external, of the awarded  
260 contract misrepresents the eligibility of the product or service to the eligible E-Rate LEA Group Member, then  
261 that sales contact must be responsible to the applicant and E-Rate program concerning further financial  
262 retribution. If the sales contact providing misrepresentation is listed by the specific Contract Holder as an ALJP  
263 Authorized Reseller (external), then the Contract Holder will be held accountable and may be required to  
264 remove the provider from the authorized list. The SDE has provided and will continue to provide guidance and  
265 assistance with E-Rate for individual LEAs and in statewide training opportunities.

266 The SDE may elect to further E-Rate involvement through a consortium application process and may use E-  
267 Rate eligible equipment and/or services properly procured via this initiating ITB and related Form 470.

268 A contract(s) resulting from this ITB may be available to E-Rate eligible members for E-Rate FY2012, FY2013  
269 and FY2014 depending on program availability, rules and the continuation or renewal of the awarded  
270 contract(s) per contract requirements.

271

272

## E-RATE MINI BIDS

273 In accordance with Title 16, Chapter 61E, Code of Alabama 1975 [16-61E-2-(c)], "competitive bids for  
274 information technology may result in awards to multiple vendors for one product line each in order to meet  
275 the specific requirements of participating educational institutions or to achieve compatibility with existing  
276 technology already in use." Based on this allowance, the SDE reserves the right to award multiple contracts for  
277 any one product line, if deemed necessary.

278 However, it should be noted that if an individual LEA Group member is purchasing a product that is  
279 eligible for E-Rate discounts and plans to request such discounts, they must choose the vendor with  
280 the lowest price for the same product provided that the specific vendor is deemed E-Rate eligible. If  
281 multiple sales contacts identified as ALJP Authorized Resellers are available to provide the eligible  
282 product or service, then the participant must follow the "mini-bid" procedures as required by  
283 Universal Service Administrative Company (USAC)/Federal Communications Commission (FCC). Failure  
284 to do so will jeopardize the individual LEA Group member's E-Rate request. The individual LEA Group  
285 members should maintain all pricing documentation at the time of purchase to present to auditors  
286 when requested.

287 For the purpose of this ITB, an E-Rate eligible bidder (vendor) is an entity that has secured a Service  
288 Provider Identification Number from the Universal Service Administrative Company.

289 All E-Rate purchases from the resulting contract(s) of this ITB by the LEA Group members should  
290 comply with E-Rate rules and regulations available at <http://www.usac.org/si/>. Should the LEA Group  
291 member request assistance in the determination of E-Rate eligibility, they should refer to the USAC  
292 Web site and then contact the Technology Initiatives office at the SDE if additional clarification is  
293 needed.

294 The Mini Bid process is not required for all other non-"E-Rate" purchases but is considered a form of a  
295 best practice to obtaining the most cost effective means of providing the service or contract products.

#### 296 E-RATE CONTINGENCY

297 A contract(s) issued resulting from this ITB is (are) not contingent upon E-Rate Discounts awarded through the  
298 E-Rate Program. However, E-Rate applicants are required to complete an "Item 21 Attachment" during the  
299 filing of a Form 471. This Item 21 requires specific information about the product or services the applicant is  
300 requesting E-Rate Discounts including the specific Service Provider information, documented quotes, product  
301 and location details. Quotes and pricing offers based on the awarded contract given to the eligible LEA Group  
302 member by the Contract holder's identified Sales Contact may be contingent upon E-Rate awarded discount  
303 for the given E-Rate Funding Year at the discretion of the applying eligible LEA Group Member.

#### 304 E-RATE PAYMENT PLANS

305 In the event a product or service from the awarded product line contract has successfully been awarded, the E-  
306 Rate discounts applicable by USAC and the Service Provider Invoice method of discounts are to be applied.  
307 Then the service provider (contract Sales Contact) must bill the applicant for their share of the transaction at  
308 the same time any such invoice is sent to USAC for payment. The applicant must pay their share within 90 days  
309 of payment due date. The service provider will be responsible for filing the appropriate Service Provider  
310 required E-Rate forms.

#### 311 E-RATE SERVICE PROVIDER STATUS

312 Any contract holder, sales contact (company) or authorized ALJP Reseller that provides an E-Rate eligible  
313 product within an awarded product line contract must maintain a positive standing with the E-Rate program.  
314 They must maintain and provide upon request a Service Provider Identification Number (SPIN) that will  
315 correctly identify their business operations with the E-Rate program. In the event an eligible  
316 Telecommunications Service is offered as a product within the awarded product line contract, the contract  
317 holder, as a sales contact or designated Authorized Reseller, must maintain credentials required by USAC and  
318 the FCC to provide those services under the Telecommunications category of service.

319 Any contract holder, sales contact (company) or authorized ALJP Resellers that provides an E-Rate eligible  
 320 product within an awarded product line contract must maintain a Green Light Status<sup>1</sup> with the FCC.

## 321 DOCUMENT AVAILABILITY AND RETENTION

---

322 In accordance with Code of Alabama 1975 and applicable E-Rate Program requirements, all documentation  
 323 related to a contract(s) awarded as a result of this ITB will be open for public inspection for a period of at least  
 324 seven years<sup>2</sup> (7) from the final contract expiration date (considering applicable renewals). All responses and  
 325 accompanying documents in the form of hardcopy and/or digital documents will be made available for public  
 326 review; therefore, the Qualified Bidder should understand that all submitted documents including pricing will  
 327 be made available as well. This information will remain available for awarded and non-awarded bid responses.

328

## 329 PRODUCT LINE CONTRACT WEBSITE INTRODUCTION

---

330 The purchasing activities by the individual LEA Group members with respect to the awarded contracts are  
 331 completed with every intention to follow current bid laws as they pertain to city and county school systems in  
 332 the state. The SDE does not charge the LEA Group members or the participating companies (at this time) to  
 333 participate in the program; however, certain requirements of the contract holders are designed to lessen the  
 334 burden on the administrator (SDE) and LEA Group members. The participants must self-monitor their  
 335 purchasing activities and the awarded contract holder must provide information the LEA Group Members need  
 336 to document all purchases from the resulting contract for auditing purposes. To meet these needs, the  
 337 Qualified Bidder and Contract Holder (if later awarded a contract) must provide a customized Product Line  
 338 Contract Website (PLC Website).

339 A PLC Website is a dedicated website/webpage created by the Qualified Bidder (contract holder, if awarded  
 340 contract) for the prospective or awarded individual product line contract and located on their company's web  
 341 hosting facilities. This web source must be created and maintained by the eventual contract holder and must  
 342 present all awarded contract information. The ultimate Contract Holder must provide the SDE with notification  
 343 in the event allowable changes to the contract information and/or website/webpage are made. This web  
 344 source is a requirement of a properly submitted response and the minimum specifications for this required  
 345 resource will be discussed throughout this document. A summary of these requirements will be provided  
 346 below. This site must be available to the general public and **not require** a login for access. The universal  
 347 resource locator or URL (aka: web address) will be required in the Qualified Bidder's ITB response package for  
 348 this ITB. **This URL must be active and fully functional on the bid opening date and time as listed in the**  
 349 **Schedule of Events.** During the ITB response evaluation process this website is considered a Potential PLC  
 350 Website. If an award is made to the Qualified Bidder for the product line, then the submitted Potential PLC  
 351 Website will become the official PLC Website for the specific awarded contract. In the event a contract is not

<sup>1</sup> As opposed to the Red Light status discussed in the Fund Administration section of USAC Website

<sup>2</sup> Code of Alabama 1975, Section 16-13B-4- (d) All original bids together with all documents pertaining to the award of the contract shall be retained in accordance with a retention period of at least seven years established by the Local Government Records Commission and shall be open to public inspection.



352 awarded, the specific URL submitted should be deleted and/or made unavailable to the public by the non-  
 353 awarded vendor. For documentation purposes, screenshots of the submitted Potential PLC Website must be  
 354 provided within the final submission. The information provided on the submitted Potential PLC Website will  
 355 initially be based on the information within the response submitted. In the event the submitted response is  
 356 negotiated or in the final award stage, the SDE may request certain edits, omissions or additions to the  
 357 submitted Potential PLC Website based on negotiations made and agreed upon that must be made prior to  
 358 final award.

359

360

### 361 (POTENTIAL PRODUCT LINE CONTRACT) PPLC WEBSITE REQUIREMENTS

---

362 At a minimum, the Qualified Bidder will provide a single web-page with the following information presented.  
 363 The page must be available to reviewers upon the opening of the Qualified Bidder's bid package submitted.

- 364 1. Qualified Bidder Demographic Information  
 365 2. Qualified Bidder Contact Information  
 366 a. This is contact information for the individual person responsible for the contract or bid  
 367 response. (see page one of response)  
 368 3. Link to valid ISO Certificate, digital copy and detail  
 369 4. Assigned ALJP ITB Identification for the specific product line contract listed in this document  
 370 5. Name of ALJP Product Line  
 371 a. Reference to "Potential ALJP Product Line Contract Website" in title or sub-title.  
 372 6. Detailed instructions for LEA Group Members to make their purchasing decisions and a  
 373 qualified purchase from the ALJP Contract (if awarded)  
 374 7. Link to SDE ALJP Website (<http://aljp.alsde.edu>)  
 375 8. Link to Product Line Product Offering and Base Pricing SOURCE, as it appears to the general  
 376 public. Refer to page 17, *Acceptable* Product Line Product Offering and Base Pricing *sources*  
 377 for this ITB. **Instructions for base pricing confirmation during auditing must also be provided.**  
 378 9. Declaration of the Proposed Single Across-the-Board or Categorical Discounts – Discount  
 379 Schedule – to be applied to Product Line Product Offering Base Pricing.  
 380 10. Link to or List of Sales Contact Information/Detail  
 381 a. If applicable, include ALJP Authorized Resellers Contact Information.  
 382 b. Special instructions related to Sales Contacts – if applicable. (Sales Region, category  
 383 restrictions, etc.)  
 384 11. Description of Warranty or Related services  
 385 12. Shipping & Delivery Detail and Cost Information  
 386 13. Link to ALJP Price Listing  
 387 14. E-Verify Documentation  
 388 a. E-Verify Affidavit  
 389 b. E-Verify Memorandum of Understanding  
 390 15. Archival (Links)

- 391 a. Contract Activity Reports  
392 b. Sales Contact List  
393 c. ALJP Price List  
394 d. ISO Certificate(s) (if renewal of certificate has been made during contract period)

395 16. Original Response Documentation-Digitized

396 **17. Verify that this website is functional on the date and time of the bid opening, see Schedule of**  
397 **Events, failure to access the site on the date of the bid opening will disqualify the response.**

398 The Contract Holder/Qualified Bidder may at its discretion use the design layout already within their  
399 company's website or provide at minimum a textual web page with the required elements. The Qualified  
400 Bidder's final response must include this website's URL as well as the information provided on this website in  
401 document format. The Potential PLC Website is not to be the sole item of response to this ITB and will receive  
402 a quality score of 20% based on ease of use and 5% on aesthetics.

403

404

405

## PRODUCT LINE REQUESTS

406 The following is a list of individual product line contracts sought by the LEA Group Members within this ITB.  
 407 'Qualified Bidders should determine their interests and respond to each interested product as a separate and  
 408 individual response.

409

### Product Lines Requested

Acer	JAMF Software	Samsung - Laptops/Mobile Computing
Adobe	Kindle	Samsung - Presentation & Document Cameras
Aerohive Networks	Konica Minolta	Samsung - Printers
Allied Telesis	Lenovo	Sharp - Interactive Boards
ASUS	Lexmark	Sharp - Projectors and Accessories
AT&T Wireless	Liebert	SMART
Belkin	Lumens	Sony - E-Readers
BlueCoat	Meru Networks	Sony - Laptops and Desktops
Brocade	McAfee	Sony - Other Cameras
ByteSpeed	Microsoft*	Sony - Tablets
CISCO	Motorola	Sony - Video Cameras and Camcorders
Dell	NEC Computing Products	Sophos
Dukane	NEC Display Solutions	SouthernLINC Wireless
eInstruction	Nook	Spectrum
Elmo	Numonics	Sprint Wireless
enterasys Secure Networks	OKIData	Toshiba - Computers
Epson	paloalto networks	Toshiba Tablets
Extron	Panasonic- Projectors, Cameras, Computers, Displays	Trend Micro
Fujitsu	Polycom	TRIPPLITE
Howard	Polyvision	Verizon Wireless
HP - Computers, Laptops, Tablets & Notebooks	Promethean	Viewsonic
HP - Printers	Qomo HiteVision	vivitek
HP Networking	Remanufactured IT Equipment**	vmware
Hovercam	Ruckus	xerox
InFocus	Samsung - Interactive Whiteboards	

See ITB information at <http://aljp.alsde.edu> for additional reference information for given product lines.

\* Enrollment for Educational Solutions with Amendment [Click Here](#)

\*\* Requires a certification of remanufactured/refurbished for each transaction.

410

411


412

413

414

May 30, 2012

Page 15 of 53

Initials: 

415

416

417

413 **PRODUCT LINE PRODUCT OFFERING AND BASE PRICING**

---

414 **DEFINITION**

---

415 Each of the Product Line Requests listed within this ITB represents a complete and separate contract and,  
416 requires a separate and complete response from each interested Qualified Bidder. The Product Line Product  
417 Offering and Base Pricing is defined as an established predetermined list consisting of all specifically branded  
418 finished products with the specified product line name or brand imprinted or available for immediate view on  
419 the product. In most product lines, the product line is comparable to those products produced and/or  
420 branded with the specific name of a manufacturer. The Product Line Product Offering and Base Pricing must  
421 meet the definition of Information Technology. This is set within the Title 16 Chapter 61E of the Code of  
422 Alabama 1975 in which Information Technology (IT) is defined as "Equipment, supplies, and other tangible  
423 personal property, software, services, or any combination of the foregoing, used to provide data processing,  
424 networking, or communications services." The Product Line Product Offering and Base Pricing must be in the  
425 form of website data and or a digitized catalogue available through the web. The Product Line Product Offering  
426 and Base Pricing will present the participating buyers (LEA Group Members) with quality information about the  
427 products located within the product line.

428 Base Product Pricing for the products offered within the specified product line must be included with the  
429 Product Line Product Offering. Products of the product line normally listed without pricing will not be  
430 considered unless this exact base pricing is provided in the ALJP Price List. The quantity of these products  
431 listed as "Call for price" or similar terms should be minimal. For clarification, discounted pricing should not be  
432 considered in this section's discussion of a Product Line Product Offering and Base Pricing source. The  
433 discount component of submitted pricing will be discussed later within this ITB.

434

435 SOURCE REQUIREMENT PRODUCT LINE PRODUCT OFFERING AND BASE PRICING

---

436 The Qualified Bidder will **not** develop a customized Product Line Product Offering and Base Pricing source for  
 437 the purpose of a response to this specific ITB. The source providing base pricing and information concerning  
 438 the products listed within the specific product line must be **currently** available in **normal pre-established**  
 439 **marketing mechanisms** that are **common to the product line or Qualified Bidder's established resource and**  
 440 **made available to the market in general.**

441 **Acceptable** Product Line Product Offering and Base Pricing **sources** for this ITB are: (Select One Only)

- 442 1. Qualified Bidder's Web site **made available to the market and/or general public**  
 443 2. Manufacturer's Web site **made available to the market and/or general public**  
 444 3. Qualified Bidder's published catalogue made available to the market and/or general public and  
 445 available in digitized format  
 446 4. Manufacturer's published catalogue made available to the market and/or general public and  
 447 available in digitized format  
 448 5. A Qualified Bidder's published catalogue that may not be made available to the general public, but  
 449 made available to the ALJP Contract Administrator. However, this file must be updated on monthly  
 450 basis on the first Tuesday of every month.  
 451 6. Manufacturer's published catalogue that may not be made available to the general public, but  
 452 made available to the ALJP Contract Administrator. However, this file must be updated on monthly  
 453 basis on the first Tuesday of every month.  
 454

455

456 The Qualified Bidder **must choose one of the sources above and provide documentation necessary for**  
 457 **access.** This source **should be made available and clearly identified on the Potential PLC Website.** Each of  
 458 the individual products within the specific product line listed in the proposed source should have a product  
 459 identification number assigned and pricing information clearly displayed.

460 **If a non-public Product Line Product Offering and Base Pricing source is submitted (item 5 or 6) then**  
 461 **these files, current and archival, must be made available to the ALJP Administrator via a login protected**  
 462 **portion of the PLC website and through email notifications of changes when changes occur and on the**  
 463 **first Tuesday of every month, update.**

464 It is also understood that by nature of the Product Line Product Offering and Base Pricing source submitted by  
 465 the Qualified Bidder the source may or may not include products from other product lines. The Qualified  
 466 Bidder, LEA Group Members and the SDE must recognize that those specific products of other product lines  
 467 listed within the source that are outside or not within the specific Product Line response will not be considered  
 468 in the evaluation or a part of any resulting contract for the given product line. Preferably the source will have  
 469 an established mechanism to filter out all other Product Line offerings not a part of this submission, however  
 470 this is not required. If, however, non-contracted products are included within this source, the Qualified Bidder  
 471 must indicate such occurrences may be present and only the products of the specific product line are  
 472 applicable. For example, a vendor that provides a company website displaying product information and pricing  
 473 for multiple manufacturers' product lines may submit that vendor's website as the source but only those

474 products within the submitted product line will be reviewed and considered a part of the awarded contract.  
475 All other products listed on the submitted website that are from non-contracted product lines will not be  
476 considered a part of the awarded contract.

477 PRODUCTS TURNOVER

478 Products listed in the source may be modified within the specific Product Line as product availability may  
479 fluctuate throughout the life of an awarded contract. Discontinued products may be removed as required and  
480 new products within the specific product line may be added. Though the addition of new products is allowed,  
481 the products will remain susceptible to the discounts proposed with the Qualified Bidder's response once a  
482 contract has been awarded to that Qualified Bidder. In the event of price changes to the Product Line Product  
483 Offering and Base Pricing source, the Contract Holder will be required to update the ALJP price list as well as  
484 maintain an archive of these changes on the PLC website.

485 Unless specifically indicated within the product line listing the products sought within this ITB are new  
486 products and not remanufactured or refurbished products. Products must have manufacturer's original serial  
487 number or comparable identification that has not been altered in any way.

488 REMANUFACTURED/REFURBISHED PRODUCT LINE EXCEPTION

489 This ITB includes a product line request for remanufactured or refurbished IT equipment as requested by the  
490 LEA Group members. The awarded Qualified Bidder(s) must certify that the equipment sold is in fact NOT NEW  
491 but remanufactured or refurbished IT equipment on each invoice resulting from an awarded contract for  
492 remanufactured or refurbished IT equipment.

493

494 WARRANTY

495 If commonly offered within the Product Line Product Offering and Base Pricing source identified by the  
496 Qualified Bidder and/or by the manufacturer of the product line, all products listed within the source should  
497 include a standard warranty and provide on-site warranty services directly or indirectly through the  
498 manufacturer or a manufacturer's authorized agent. There must be no charge for a standard warranty unless  
499 a charge is common within the product line in general. Extended warranties may be included in the source.  
500 Manufacturers' products that normally provide "depot service only" are an exception. The warranty options  
501 including pricing for the products individually or as a group within the proposed Product Line Product Offering  
502 and Base Pricing source must be clearly stated. Any warranties offered on the source should not be altered in  
503 any way to meet the terms and conditions of this ITB.

504 INSTALLATION & MAINTENANCE OF PRODUCTS WITHIN PRODUCT LINE

505 Installation and maintenance of specified products of the specific product line may be included in the  
506 proposed Product Line Product Offering and Base Pricing source. These products should be considered as  
507 products of the Product Line Product Offering and Base Pricing sources and must meet then same

508 requirements of all other products of the product line. An awarded contract from this ITB will not include a  
 509 general or open installation or maintenance products or services of other non-product line products outside  
 510 the resulting contract. Such installation & maintenance products listed with a "call for prices" will **not** be  
 511 allowed.

512 SHIPPING & DELIVERY

513 All products purchased by an LEA Group member should be delivered FOB Destination. The awarded vendor  
 514 and/or authorized reseller agree to bear the risk of loss, injury, or destruction of the items ordered prior to  
 515 receipt of items by the LEA Group member.

516 A description of any shipping and delivery costs may be included in the Product Line Product Offering and Base  
 517 Pricing source and clearly listed. Shipping and delivery details including expected cost must be provided on the  
 518 PLC Website. The LEA Group members must be made aware of the delivery methods and the associated cost  
 519 available. Though common shipping and delivery methods may not meet the definition of a product within the  
 520 given product line, they may be included with the Qualified Bidder's response and (if applicable) within the  
 521 awarded contract. Free shipping is preferred; however normal/common shipping cost(s) for the delivery of the  
 522 specific product(s) within the product line ordered by individual members of the LEA Group may be included.  
 523 These costs must be clearly identified and documented in specific contract quotes and any sales  
 524 communications. It is understood that shipping costs may vary throughout the life of a contract.

525 PLC WEBSITE – PRODUCT LINE PRODUCT OFFERING AND BASE PRICING SOURCES -  
 526 ADDITIONAL INFORMATION

527 On the provided website the Qualified Bidder must clearly identify the location of the Product Line Product  
 528 Offering and Base Pricing. Clear and concise instructions must be given to the LEA Group members in the  
 529 process of obtaining this information as described above. Ideally, this would be a simple web link as described  
 530 in sources 1 or 2 (see above). If the Product Line Product Offering and Base Pricing sources contains other  
 531 products from other product lines not awarded then this should be clearly stated in instructions. In the event  
 532 the source is a digitized catalogue (acceptable sources 3 & 4), the Qualified Bidder must provide a link (or web  
 533 access) to the digitized catalogue and provide detailed instruction to the viewer on how to obtain the  
 534 catalogue, if this catalogue source contains non-awarded product from other product lines it should also be  
 535 clearly stated in the instructions. If the Product Line Product Offering and Base Pricing resides with the ALJP  
 536 Administrator, as in acceptable source 5 & 6, instructions need to be given to the to the LEA Group members  
 537 to contact the Contract Holder to obtain the base pricing source at a given time as documentation that the  
 538 price is within the contract pricing. The LEA Group members should not have to contact the SDE for this  
 539 pricing documentation initially. However, LEA Group members may contact the SDE for further verification  
 540 once a price has been verified with the Contract Holder.

541 PRODUCT LINE PRODUCT OFFERING AND BASE PRICING SOURCES SCORE

542 The Product Line Product Offering and Base Pricing source is a required component of any qualified response  
 543 to this ITB. Therefore a point value isn't assigned. If the Product Line Product Offering and Base Pricing source

544 submitted by the Qualified Bidder is considered incomplete by the evaluation committee the bid will then be  
545 dismissed and considered a non-response.

546 DISCOUNT

547 The Qualified Bidder will provide a quote as a specific discount off the proposed Product Line Product Offering  
548 and Base Pricing submitted in the form of a percentage. The discount will be applied to the base prices  
549 specifically identified and provided in the Product Line Product Offering and Base Pricing source.

550 If that submitted quote is a single discount to be applied to the base price of all products listed in the Product  
551 Line Product Offering and Base Pricing then that discount is considered a single or across-the-board discount.  
552 The Qualified Bidder's quote of a single or across-the-board discount must remain static throughout the life of  
553 the contract with one exception. The eventual Contract Holder may only increase their original discount  
554 quoted in their specific bid response. A decrease in discount will not be allowed for the life of the contract.  
555 New products added to the Product Line Offering and Base Pricing source throughout the life of a contract will  
556 be subject to the discount. If the Contract Holder is unable to extend the discount originally quoted to the new  
557 products, then those products should be clearly noted as "not available" using the contract. This should be  
558 clearly displayed on the PLC website and ALJP Price List. The Qualified Bidder must also complete the Discount  
559 Schedule indicating the proposed single discount.

560 It should also be noted that a Contract Holder and/or sales contacts including ALJP Authorized Resellers  
561 assigned may offer additional discounts above and beyond those discounts awarded in the resulting  
562 contract(s) of this ITB. Additional discount(s) may include additional discounts for volume purchases and/or  
563 other events.

564 CATEGORICAL DISCOUNTS

565 It is recognized that within some requested product lines there are clear and distinct categories of sub-  
566 products within the submitted Product Line Product Offering and Base Pricing source. It is recognized that it  
567 may be in the best interest of the LEA Group Members to allow the Qualified Bidder (and subsequently the  
568 Contract Holders) to provide a *different* discount quote for each of these predetermined categories. However,  
569 these categories must be well established and defined within this product line's history prior to the submission  
570 of a bid response to this ITB and not developed specifically for the Qualified Bidder's response to this ITB. The  
571 allowance of categorical discounts does not include a predetermined category for each and every product  
572 within the product line, i.e. every product listed in the Product Line Product Offering and Base Pricing source  
573 cannot be considered a category in and of itself. If clear and distinct categories cannot be identified then the  
574 Qualified Bidder must use the single discount as their response to the entire product line.

575 These categorical discounts per category will not be allowed to decrease over the life of the contract. If the  
576 Qualified Bidder chooses to submit discounts using categories as opposed to a single discount for the entire  
577 Product Line Product Offering and Base Pricing source then the quoted categories must be clearly and  
578 distinctly recognized per product listed in that source. The Qualified Bidder will provide a detailed description  
579 of each category and provide the specific level of discount quoted for each category. If Categorical Discounts



580 are submitted the Qualified Bidder must complete the Discount Schedule indicating categories and proposed  
581 discount in each.

582 A description of the discounts submitted whether a single across-the-board discount or categorical discounts  
583 must be provided on the PLC Website in clear and concise terms. New products added under this scenario  
584 must clearly fit within a given predetermined category and that category's quoted discount should apply. If  
585 the Contract Holder is unable to extend the discount originally quoted to the new products, then those  
586 products should be clearly noted as "not available" using the contract. This should be noted on the PLC  
587 website and ALJP Price List.

588

#### 589 ALABAMA JOINT PURCHASING PRICING LIST

---

590 The Qualified Bidder will provide a detailed Alabama Joint Purchasing Price List (ALJP Price List) with a  
591 response to product line within this ITB. This list must be in the form of a Microsoft Excel spreadsheet file  
592 consisting of the individual information products listed in the proposed Product Line Product Offering and Base  
593 Pricing source, including the MFG SKU, Qualified Bidder's or Product Line Product Offering and Base Pricing  
594 source Product Identification Number, Name of Product, Description of Product, UOM, base price from the  
595 Product Line Product Offering and Base Pricing source, discount applied, ALJP Price, and Category (if  
596 applicable). Only products of the product line are to be entered. There will be no horizontal divisions and the  
597 list should be continuous until all products of the proposed Product Line Product Offering and Base Pricing  
598 source have been listed with all information with an ALJP Price calculated. An Excel template will be provided  
599 and the Qualified Bidder must verify accuracy and availability of the data provided by the Qualified Bidder on a  
600 submitted CD or DVD. The Qualified Bidder will use the format described and provided in the Bid Submittal  
601 section of this document. Additionally this file must be posted and readily available on the Potential PLC  
602 Website on the date and time of the bid opening – **NOT BEFORE**.

603 The ALJP Price list must be updated as products are added and/or modified to the Product Line Product  
604 Offering and Base Pricing source by the Contract Holder once an award has been made. This price list in  
605 current form and an archival must be made available on the required PLC Website.

606 The ALJP Price list will be the key element in the evaluation of awards. It is important that this list be verified  
607 and included in the format described within this ITB and mailed/or delivered bid response. Elements such as  
608 Product ID/SKU, base pricing of individual products shown within the submitted Product Line Product Offering  
609 and Base Pricing Source will be located and verified.

#### 610 COST PLUS OPTION

---

611 The Qualified Bidder may provide a Cost Plus discount or mark-up over cost form of discounting method.  
612 However, the initial cost would be considered the "base price" and it must be incorporated clearly within the  
613 Product Line Product Offering and Base Pricing source as described above. Additionally, the ALJP Price List  
614 required will be modified such that the base price will be the Cost, the discount will represent the percent (%)  
615 mark-up on Cost and the ALJP Price will be the cost of the product plus the mark-up. Categories may still apply

616 as previously discussed. In this model the percent mark-up must never increase but may be reduced to favor  
 617 the LEA Group Members. This is not the preferred method of discounting; however, it will be accepted.

618

## 619 DISCOUNT SCORE

---

620 During the evaluation the total score for the Discount portion will have a weight of 75%. In the event that  
 621 multiple responses for a specific product line are evaluated based on the same Product Line Product Offering  
 622 and Base Pricing source, the most points for this section will go to the Qualified Bidder with the highest quoted  
 623 discount. An analysis of the ALJP Pricing List submitted by each of the competing Qualified Bidders will be  
 624 performed to confirm equivalency of the Product Line Product Offering and Base Pricing source. In the event  
 625 that multiple responses for a specific product line are evaluated based on submitted variable sources, the ALJP  
 626 Pricing List submitted with the qualified responses will be evaluated and higher points given to the Qualified  
 627 Bidder that provides the best discount and best availability of products of the product line.

## 628 SALES CONTACTS

---

629 Contract Holders must provide contact information for the authorized sales staff. This staff and/or ALJP  
 630 Authorized Resellers (vendors) must be specifically familiar with the terms of the awarded contract (This  
 631 includes any ALJP Authorized Resellers if applicable). LEA Group Members will be provided sales information  
 632 and obtain written ALJP quotes for product or products they are to buy using the contract(s) resulting from this  
 633 ITB from the designated sales contacts at their discretion. The Contract Holder will also be responsible for  
 634 providing audit trail information for confirming contract pricing either directly or indirectly through the ALJP  
 635 Authorized Resellers (if applicable). The Contract Holder will maintain a comprehensive list of all current sales  
 636 contacts and archives on the PLC Website. Sales contact information provided must include, but not limited  
 637 to, the following:

- 638 • Company Name
- 639 • Contact Name
- 640 • Email Address
- 641 • Telephone
- 642 • Fax Number
- 643 • Mailing Address
- 644 • Physical Address
- 645 • Additional Notes
- 646 • Service Provider Identification Number (SPIN) – if E-Rate is applicable

647 Additional Notes may be provided to describe specific sales regions or other identification necessary to help  
 648 the LEA Group Member choose the correct Sales Contact in making their purchasing decision. As described  
 649 earlier the individuals listed here may be sales contacts that are a part of the actual Contract Holder's staff  
 650 and/or contacts from other identified and authorized resellers. The term ALJP Authorized Resellers generally  
 651 refers to a company that is not the contract holder but is authorized by the Contract Holder to offer the

652 products awarded via an ALJP Contract awarded to the Contract holder. The ISO Certification requirement  
653 only applies to the Contract Holder.

654 The Qualified Bidder responding to this ITB must provide this information in their final response to this ITB.  
655 This information must also be included in the submitted Potential PLC Website.

656

657

## 658 ADDITIONAL TERMS, CONDITIONS, AND CLARIFICATION

### 659 PAYMENT

660 The awarded Contract Holder or designated authorized reseller must not construe payment as acceptance of  
661 products furnished under the resulting contract. The LEA Group member or the SDE reserves the right to  
662 conduct further testing and inspection after payment, but within a reasonable time after delivery, and to reject  
663 the product(s) if such a post-payment testing or inspection disclosed a defect or a failure to meet  
664 specifications.

665 Upon notification of a defective or rejected product the Contract Holder or Authorized Reseller must  
666 coordinate plans to replace the product(s) with others that conform to the specifications and which  
667 are not defective. The replacement of the product will be at the Contract Holder's (or if applicable the  
668 ALJP Authorized Reseller's) expense and must be performed within 15 days of notification. Rejected  
669 products left longer than 30 days will be regarded as abandoned, and the LEA Group member will have  
670 the right to dispose of the product(s) as its own property.

671 All products must be free of all liens.

672 In accordance with Title 16 Chapter 61E of the Code of Alabama 1975, each LEA Group member shall pay its  
673 share of expenditures for purchases under any agreement in the manner set forth in the agreement and in the  
674 same manner as it pays other expenses of the LEA.

675 If an award is made to a Qualified Bidder, such awarded Contract Holder and/or chosen ALJP  
676 Authorized Reseller shall receive Purchase Orders as normally done to furnish the awarded products of  
677 the specific product line to the LEA Group Member. Purchases made through resulting contract of this  
678 ITB must be offered to only those school systems, universities, and colleges participating in the  
679 program (LEA Group Members) and listed on the ALJP Web site. Prior to the issue of a purchase order,  
680 the LEA Group Member may request an official ALJP Contract Quote. For audit purposes the Sales  
681 Contacts listed as contacts authorized to sell a product or products from the awarded product line  
682 contract should provide a quote to interested LEA Group Members, upon their request(s), with the  
683 following information present and documented:

- 684 \* ALJP Contract Number
- 685 \* All pricing information including

- 686 ○ Non ALJP Discounted price from Product Line Product Offering and Base Pricing
- 687 ○ ALJP Discount Provided
- 688 ○ Additional Discounts (if applicable)
- 689 ○ Total price for Quote
- 690 \* Sales Contact Information
- 691 \* The quote should not include products from other product lines not covered under the specific
- 692 ALJP Contract
- 693 \* A given deadline for prices to expire, however only additional discounts may be allowed to
- 694 expire as the contract price based on the awarded discount will remain in effect for the life of
- 695 the contract.

696 Individual schools or SDE-recognized entities of the LEA Group members may also purchase products  
 697 from the awarded contracts through their system technology coordinator or designee. They must  
 698 contact the system technology coordinator or purchasing agent for instructions.

699 All documentation of purchases from the resulting contract(s) shall include reference to the assigned  
 700 ALJP Contract number.

701 The SDE will not participate in any individual purchase(s) between the awarded vendor and LEA Group  
 702 member. The SDE provides assistance through the publishing of current and official contract information on  
 703 the ALJP Website, approving and monitoring the PLC Websites and required documentation developed by the  
 704 Contract Holder(s) and other administrative functions of the awarded contract(s). It is not the intent of the  
 705 SDE to be involved in individual purchases using resulting contract(s) unless a conflict arises with contract  
 706 terms and conditions.

707

708

709

## SEPARATION

---

710 The LEA Group members may provide information to the SDE concerning the awarded contract performance  
 711 consisting of the ability to meet contract obligations, quality of customer service, and other vendor  
 712 performance factors. This information will be evaluated throughout the contract(s) life by the committee to  
 713 determine if a termination of contract is warranted. The SDE will provide a formal mechanism for such  
 714 communications with the LEA Group Members.

715 Possible reasons for contract termination may include any of the following:

716 Failure to meet the requirements of this ITB throughout the contract period including a current and  
 717 non-obsolete ISO-9001 certification;

718 Failure to deliver the product(s) purchased within an agreed upon time period or period specified on  
 719 the Purchase Order. In cases that are proven to be beyond the control of the contract holder or  
 720 authorized reseller some exceptions may be considered;

- 721 Failure of Contract Holder or Contract Holder's identified authorized resellers to provide purchasing  
722 information as described within this ITB;
- 723 Improper delivery;
- 724 Failure to provide a product(s) that is in conformance with the specifications referenced in the ITB;
- 725 Failure to provide products at prices described;
- 726 Failure to provide quarterly update information;
- 727 Delivery of a defective Item without replacement;
- 728 Insolvency or bankruptcy;
- 729 Failure to protect, to repair, or to make good any damage or injury to property; or  
730 breach of any provision of the Contract.

731 

---

 **CONTRACT ACTIVITY REPORTS** 

---

- 732 The Contract Holder will organize and maintain a database of all purchases and relative information such as  
733 LEA Group Member's name, date of purchase; item(s) purchased, Purchase Order Number, purchase price, etc.  
734 This information must be made available, by the vendor, to the SDE on a quarterly basis.
- 735 These Contract Activity Reports should be made available in detail on the PLC Website once contract has been  
736 awarded. If purchasing activity reports are considered private by the Contract Holder then the Contract Holder  
737 may password protect this specific sales report file and the archives of these files on the PLC Website. Login  
738 information must be provided to the SDE upon notice of first quarterly report. Otherwise these quarterly  
739 reports should be emailed to the SDE for review. The SDE reserves the right to post data from quarterly  
740 reports in various communications related to the program. Additionally: The Contract holder may provide an  
741 updated total sales activity for this contract on the PLC Website starting from the initial contract start date  
742 through a current (or near current) date.
- 743 If authorized resellers are applicable, the awarded vendor must include individual information from these  
744 entities in the report as well.
- 745 Purchasing information may be gathered from LEA Group Members during audits or other events and  
746 compared to the Contract Activity Reports that indicate a purchasing action by the LEA Group Member.

747 

---

 **SEVERABILITY** 

---

- 748 If any provision of this ITB or resulting contract(s) is declared by a court to be illegal or in conflict with any law,  
749 then the parties shall give effect to the balance of the ITB or resulting contract(s) to the extent possible.

750 

---

 **DISBARMENT FROM PARTICIPATION** 

---

751 If, within the past five (5) years, the Qualified Bidder has been disbarred, suspended, or otherwise lawfully  
752 precluded from participating in any public bid activity with any federal, state, or local government, the  
753 Qualified Bidder must include a letter with the bid package describing detailed information relating to the  
754 disbarment or suspension.

755 Failure to supply such a letter may result in a disqualified bid or cancellation of contract.

756

---

---

**GENERAL INSTRUCTIONS**

---

---

757

758

---

**BID COORDINATOR**

---

759

Jerome Browning

760

Alabama Department of Education

761

Technology Initiatives

762

P.O. Box 302101

763

5351 Gordon Persons Building

764

Montgomery, AL 36130

765

Phone: 334-242-9594

766

Fax: 334-353-5886

767

Email: [aljp@alsde.edu](mailto:aljp@alsde.edu)

768

---

**BID IDENTIFICATION**

---

769

Each product line listed in the Product Lines Requested section of this document is to be addressed by the name of the Product Line listed. In general, reference to this Invitation to Bid as a whole will be indicated by ALJP2012.

770

771

772

All communication regarding this Invitation to Bid must be directed to the bid coordinator listed in section above.

773

774

All communication must be in written form through the use of Web site question submission or email if applicable.

775

776

All comments and questions must be made via web (visit <http://aljp.alsde.edu>), by the deadline specified in the schedule of events listed in Schedule of Events section.

777

778

Each communication in relation to a specific product line requested must be clearly marked with the ALJP2012- the product line name located in the Product Lines Requested section of this document entered in the subject area of the email or on the envelope. If the communication is related to the ITB in general then use "ALJP2012 - General" as the reference for the communication.

779

780

781

782

The SDE will not be held responsible for delays or technical problems that may arise due to temporary failure of email or Web site availability.

783

784 In the event that the interested vendor does not have access to the Web site, all communications may be sent  
785 by email and/or regular mail but must be received by the SDE prior to the deadline specified in the schedule of  
786 events listed in Schedule of Events section.

787 The SDE will respond to all timely written communications through posting of questions and responses via  
788 Website. The Website will be available at <http://aljp.alsde.edu>.

789 It is the responsibility of the Qualified Bidder to monitor this site for information updates, instructions, or  
790 addendums.

791 Any information, other than the information provided in this Invitation to Bid and Website, given by the SDE  
792 should be considered for informational purposes only.

793

794

### SCHEDULE OF EVENTS:

Event	Date-Time (Central Time Zone)	
SDE Release of ITB for Response	05/30/2012	
Bidders Web Conference – See ALJP Web site for information	Introduction	Thu 6/7/2012, 8:00 AM – 9:00 AM
	Bidder's Conference*	Thu 6/21/2012, 9:00 AM – 11:00 AM
	Bidder's Conference* (Repeat)	Thu 6/21/2012, 2:00 PM – 4:00 PM
Deadline for Questions	Fri 7/6/2012, 10:30 AM	
Deadline for Submitting Bid(s)	Tue 7/17/2012, 4:30 PM	
Public Bid Opening	Wed 7/18/2012, 9:00 AM	
SDE and Committee Evaluation Process Begins	Thu 7/19/2012	
Awarding of Contracts	7/23/2012 - 8/10/2012	
Purchasing by LEA Group May Begin	Date to be posted on ALJP Website	

795

796

797

\* Attendance is highly advised. Qualified Bidders should have one representative present at least one of these sessions scheduled on Thursday 6/21/2012. The second session is a repeat of the morning session. All sessions will be recorded and made available.

798

799

### BID SUBMITTAL



800 The complete bid submittal will consist of the following elements specific to an ALJP2012e ITB Response in the  
801 order listed:

- 802 1. Fully Completed ALJP2012 ITB Document Printed & Two Digitized Copies on two separate CDs.  
803 a. Each page must be initialed.  
804 b. Entry items must all be addressed and completed  
805 i. Located throughout this document  
806 c. Including Attachments (in order and clearly marked )  
807 i. **Attachment A** - International Organization for Standardization (ISO) Certificate &  
808 Supporting Documentation  
809 ii. **Attachment B** - E-Verify Supporting Documentation (if applicable)  
810 iii. **Attachment C** - POTENTIAL PRODUCT LINE CONTRACT WEBSITE REPRESENTATION

811 NOTE: The Potential PLC Website as provided on this document by the bidder must  
812 contain documentation as described and be represented in print format in Attachment  
813 C.

- 814 2. ALJP Price list  
815 a. EXCEL Worksheet Format provided  
816 b. Provide a copy of complete list on 2 CDs submitted  
817 c. This does not have to be printed and included in Bid Package but it must be located on each of  
818 the two CDs and on the Potential Product Line Contract Website.

819 **BID PACKAGE SUBMISSION**

---

820 Bidders are to provide a single bid package for *each product line* to be considered.

821 **FINAL RESPONSE FORMAT**

- 822 • The Qualified Bidder will provide the response in a 3-Ring binder (hardshell) that will have secure  
823 pockets for the required CD or DVD. Your response must not deviate from the format described within  
824 this document.  
825 • Additionally, two copies of the bid submission in digitized form must also be submitted with the bid  
826 package. The digitized format must include a single portable document file (or PDF) containing the  
827 complete response. The two identical digital files must be submitted on two separate CDs or DVDs.  
828 The ALJP Pricing spreadsheet file should also be included on each CD/DVD submitted in the provided  
829 MS Excel file format. The Qualified Bidder must self-verify the files before inclusion in submitted bid  
830 package.  
831 o With the exception of the ALJP pricing spreadsheet, the required digitized "pdf" should be a  
832 single file containing all ITB response items, required documents and supporting documents as  
833 deemed necessary.  
834 • Each securely sealed package must be clearly marked with the ALJP2012 - and the Specific Product  
835 Line. (Example: **ALJP2012-Acer**) Please include a "DO NOT OPEN" message clearly on the package.  
836 o If package is boxed inside a carrier's box then that box should also have the ALJP ITB ID clearly  
837 visible.

838

839

## BID DELIVERY ADDRESS

840

- Submitted bid packages must be mailed or hand delivered to the SDE using either of the following two addresses:

841

842

## COURIER MAIL

843

Alabama Department of Education

844

Technology Initiatives

845

**ATTENTION: Jerome Browning**

846

50 N. Ripley St.

847

5315 Gordon Persons Building

848

Montgomery, AL 36104-3833

849

850

## REGULAR MAIL

851

Alabama Department of Education

852

Technology Initiatives

853

**ATTENTION: Jerome Browning**

854

5315 Gordon Persons Building

855

P.O. Box 302101

856

Montgomery, AL 36130-2101

857

858

Submittal as described above must be made by the date and time expressed in the schedule of events. Do not

859

use any other address other than the information listed above.

860

No other format (Fax, email, etc.) will be accepted.

861

862

## COST OF PREPARING BIDS

863

- The SDE will not reimburse any cost the bidder may have in the preparation and submittal of any bid package.

864

865

- It should be noted that the use of Microsoft Word 2007/2010, Microsoft Excel 2007/2010 and Adobe Acrobat 9 Professional will be required.

866

867

- Scanning or digitizing documents will be required.

868

## BIDDER ERRORS

869

## REVISIONS TO PREVIOUSLY SUBMITTED BIDS

- 870 • Any bidder who submits a bid package and finds it needs revisions or canceling may do so via email  
 871 notification to the coordinator. The SDE will not open sealed bids before bid opening date and time. If  
 872 revisions are needed then the bidder must notify the coordinator via email of the cancellation of  
 873 current bid package and submit a new bid package before the deadline for submitting bids.  
 874 • The bidder is responsible for cancelled bid package(s). The cancelled bid package(s) will remain sealed  
 875 and be voided in the bid process. It will be discarded upon notification of the bidder unless bidder  
 876 arranges for pick-up.  
 877 • Bidders are responsible and liable for all errors or omissions contained in their bid packages.

878 INVITATION TO BID AMENDMENTS AND CANCELLATION

- 879 • The SDE in conjunction with the Montgomery County School System reserves the right to amend this  
 880 Invitation to Bid at any time.  
 881 • The SDE also reserves the right to cancel and/or reissue this Invitation to Bid at its sole discretion.  
 882 • Any amendments or cancellations regarding this Invitation to Bid will be made via Web site  
 883 announcements (<http://aljp.alsde.edu>). It is the bidder's responsibility to monitor Web site for such  
 884 information on a daily basis.

885 RIGHT TO REJECT BID PACKAGES

- 886 • The SDE reserves the right to reject any and all submitted bid packages at SDE discretion.  
 887 • The SDE reserves the right to cancel this Invitation to Bid in its entirety.  
 888 • Any bid package submitted, which does not meet the requirements set forth within this Invitation to  
 889 Bid including the ISO requirement, will be considered a non-response and will not be considered.  
 890 • Bidder must comply with all terms of this Invitation to Bid (ITB) and applicable State Laws, including  
 891 but not limited to Title 16 Chapter 61E of the Code of Alabama 1975, and regulations (see  
 892 <http://www.legislature.state.al.us/CodeofAlabama/1975/coatoc.htm>).  
 893 • The SDE will reject any proposal that does not comply with all the terms, conditions, and performance  
 894 requirements of this ITB.  
 895 • In the event a product line does not receive a bid package or receives a single bid package for a specific  
 896 product line, the SDE reserves the right to negotiate with known vendors to provide the product line to  
 897 the LEA Group members.

898 BID PACKAGE AND PUBLIC INFORMATION

- 899 • All bid packages and any materials submitted in response to this ITB by the bidder become the  
 900 property of the SDE. Selection or rejection of a bid package does not affect this right.  
 901 • All information provided by the bidder in the bid package will be available for public viewing upon  
 902 request after bid opening.  
 903     o All responses received may be posted on an SDE Web site.  
 904     o The bid package submitted must be made available digitally on the Potential PLC Website  
 905 • By submitting a bid package the bidder acknowledges and accepts that the full contents of the bid  
 906 package will be made available for public inspection.

- 907 • By submitting a bid package the bidder agrees to all requirements, terms, and conditions of the ITB.

908 **QUALIFIED BIDDER RESPONSE DETAIL**

---

- 909 • **ALL QUALIFIED BIDDERS MUST USE THE RESPONSE TEMPLATES AND OTHER TEMPLATES AS REQUIRED IN**  
910 **THEIR RESPONSE TO THIS ITB.**
- 911 • **Any additional documents attached that are not stated as a requirement may or may not be used for**  
912 **your response evaluation.**
- 913 • **Required documentation must be attached or inserted in the space as instructed.**
- 914 • **The use of Microsoft Excel and Adobe Acrobat 9 Pro is required for response. This tool will allow the**  
915 **saving, insertions, and other capabilities necessary to provide a quality response to this ITB. The SDE has**  
916 **tested submission process and will not provide support for any tool used in your response. The use of**  
917 **Adobe Acrobat 9 Pro and Microsoft Excel & WORD 2010 may or may not be discussed during bidder's**  
918 **conference.**

919

---

920

DISCOUNT SCHEDULE

SMART Technologies Corporation

Proposed  
Discount  
%

SMART



Reserved Single or Across-the-Board Discount Applies to all product listed in the Product Line Product Offering and Base pricing Source submitted

**Categorical Discounts (If Applicable)**

Category Identification	Title	Description	Proposed Discount %
	SMART Board Interactive whiteboard	SMART Board Interactive whiteboard	17
	SMART Board with UF projector	SMART Board with Unifi projector	17
	SMART Interactive Projector	SMART Interactive Projector	17
	SMART Board Interactive Displays	SMART Board Interactive Displays	13
	SMART Board Interactive Displays Overlays	SMART Board Interactive Displays Overlays	13
	SMART Podium Interactive Pen Displays	SMART Podium Interactive Pen Displays	13
	SMART Response Interactive Response System	SMART Response Interactive Response System	13
	SMART Wireless Slate	SMART Wireless Slate	10

922 Complete the Categorical Discounts section if and only if you are proposing categorical discounts on the  
 923 products of the proposed product line list on the Product Line Offering and Base Pricing Source. Otherwise if a  
 924 single discount is proposed enter that amount in the reserved section above. Add an additional page if  
 925 necessary.

926

## APPENDICES

Category Identification	Title	Description	Proposed Discount %
	SMART Document Camera	SMART Document Camera	13
	SMART Table	SMART Table	17
	Accessories, Replacement Parts and Floor Stands	Accessories, Replacement Parts and Floor Stands	13
	SMART Classroom Amplification Systems	SMART Classroom Amplification Systems	13
	SMART Software	SMART Software	15
	Warranty	Extended warranties	0
	Shipping Services	Lift gate and inside delivery services	0

## ISO 9001 CLARIFICATION

928

929

930 The SDE and ALJP2007 LEA Group Committee will remain consistent with Chapter 61E of the Code of Alabama  
931 1975. It is clearly stated within the law that "The Legislature therefore desires to authorize the joint purchase  
932 of information technology and competitive bidding as well as ensure quality vendors." This statement is  
933 recognized by the SDE and Committee and we believe it is supported by the ISO-9001 certification requirement  
934 within the law. The ISO-9001 certification requirement is a practical requirement to ensure our schools are  
935 able to purchase information technology from quality vendors. A company/vendor having this current and up-  
936 to-date certification has demonstrated, and been certified by an ISO Registrar, quality and exemplary business  
937 management in terms of customer service, sound consistent business practices, and the proven ability to offer  
938 services and products to the participating Alabama Public School Systems (LEA Group). The Title 16 Chapter  
939 61E of the Code of Alabama 1975 (formerly known as Alabama Act No. 2003-392), signed into law on June 23,  
940 2003 by Governor Bob Riley, is the guiding document in the creation and administration of this bid and  
941 resulting contract(s).

942

943 The SDE's interpretation of the term "affiliates" as included in the ISO-9001 requirement stated within the Title  
944 16 Chapter 61E of the Code of Alabama 1975 that "any companies that have ISO-9001 certification or any  
945 companies or contractors whose affiliates, subdivisions, subsidiaries, or departments have ISO-9001  
946 certification can bid on the information technology to be jointly purchased." It is not the SDE's position to  
947 make an interpretation of a set term within a law if it is defined elsewhere in state law or federal law. The SDE  
948 prefers to use such related and documented definitions when available. A primary resource in the defining of  
949 the term "affiliates" is the Code of Alabama 1975, Title 6 "Civil Law", Chapter 12, and Section 6-12-2:

950

## SECTION 6-12-2

951 2) AFFILIATE. A person who directly or indirectly owns or controls, is owned or controlled by, or is under  
952 common ownership or control with, another person. Solely for purposes of this definition, the terms "owns,"  
953 "is owned" and "ownership" mean ownership of an equity interest, or the equivalent thereof, of ten percent or  
954 more, and the term "person" means an individual, partnership, committee, association, corporation, or any  
955 other organization or group of persons.

956 Though this definition within the law relates to "Escrow Fund for Certain Tobacco Product Manufacturers" the  
957 SDE considers this definition as "our definition" of the term affiliate. This may also be considered as our  
958 defined "interpretation" of the term affiliates, if necessary.

959 In additional support of our definition of the term affiliate, we find it is consistent with the Federal  
960 Communication Commission (FCC), in the Telecommunications Act of 1996 (available on the Internet at  
961 <http://www.fcc.gov/Reports/tcom1996.txt> located in section 3 of the document) stating the following:

962 "The term 'affiliate' means a person that (directly or indirectly) owns or controls, is owned or controlled by, or  
963 is under common ownership or control with, another person. For purposes of this paragraph, the term "own"  
964 means to own an equity interest (or the equivalent thereof) of more than 10 percent."

965 This definition is relational and crucial in our definition of an affiliate. One of the major purposes for the SDE's  
966 involvement as the administrator of the ALJP Program is to provide a state master contract for LEAs to  
967 purchase Information Technology (in accordance with Title 16 Chapter 61E of the Code of Alabama 1975). The  
968 ALJP ITBs relate to the Telecommunications Act of 1996. The Telecommunications Act of 1996 formed the  
969 program commonly known as "E-Rate" which is administered by the Universal Services Administrative  
970 Company (USAC) and the Schools & Libraries Division (SLD). This program provides various discounts on eligible  
971 services and products depending on an applicant's (LEAs and respective schools) level of poverty reflected  
972 primarily by their Free & Reduced Lunch ratios. The product lines listed in ALJP ITBs may include "E-Rate"  
973 eligible products. This provides a connection or relationship between the Telecommunications Act of 1996 and  
974 the ALJP ITBs in relation to the definition of "affiliate." The ability for our LEAs to use the ALJP resulting  
975 contract(s) will assist them by reducing their time and effort, and paperwork in making E-Rate applications for  
976 discounts by eliminating need required Form 470 which is basically the bidding process required by USAC and  
977 the FCC.

978 A similar definition can be found in the Gramm-Leach-Bliley Act 15 USC, Subchapter I, Sec. 6801-6809 available  
979 on the Internet at <http://www.ftc.gov/privacy/glbact/glbsub1.htm#6809> Disclosure of Nonpublic Personal  
980 Information provided by the Federal Trade Commission the definition of affiliate as:

981 (6) Affiliate

982 The term "affiliate" means any company that controls, is controlled by, or is under common control with  
983 another company.



984 As a result of this analysis, the SDE and Committee will remain consistent with the ISO-9001 requirement that  
985 "any companies that have ISO-9001 certification or any companies or contractors whose affiliates,  
986 subdivisions, subsidiaries, or departments have ISO-9001 certification can bid on the information technology to  
987 be jointly purchased..." as it is written with the definition (or clarification) of "affiliates" as:

988 AFFILIATE. A person who directly or indirectly owns or controls, is owned or controlled by, or is under common  
989 ownership or control with, another person. Solely for purposes of this definition, the terms "owns," "is owned"  
990 and "ownership" mean ownership of an equity interest, or the equivalent thereof, of ten percent or more, and  
991 the term "person" means an individual, partnership, committee, association, corporation, or any other  
992 organization or group of persons. (Code of Alabama 1975, Title 6 "Civil Law", Chapter 12).

993 The terms subdivisions, subsidiaries, and departments will be considered synonymously with affiliates. It is  
994 also important to understand that a company that is not ISO-9001-certified that simply purchases products  
995 listed in the product line listing (modified in Item #2) from an ISO-9001 Certified Manufacturer/Publisher for  
996 resell, does not meet the affiliates definition. If a bid is submitted by a company or contractor that is not ISO-  
997 9001-certified and is not affiliated with an ISO-9001-certified entity (see definition of "affiliate" above) it (the  
998 bid package) will be disqualified as not meeting the criteria set forth in Title 16 Chapter 61E of the Code of  
999 Alabama 1975, signed into law on June 23, 2003 by Governor Bob Riley, is the guiding document in the  
1000 creation and administration of this bid and resulting contract(s).

1001 However, if the bidding company does meet ISO-9001 certification requirement, then that company, if  
1002 awarded the contract, can name authorized resellers that could include companies that do not meet the ISO-  
1003 9001 or affiliate requirement. An authorized reseller of a product line manufactured/published does not  
1004 automatically meet the definition of an affiliate. Authorized resellers can be removed by awarded company in  
1005 accordance with their definition of an authorized reseller.

1006 **The bidding company/vendor listed on the cover page must meet the ISO-9001 certification** or be a vendor  
1007 who directly or indirectly owns or controls, is owned or controlled by, or is under common ownership or  
1008 control with, another vendor of which the ownership represents 10% equity of a company that is currently  
1009 ISO-9001-certified. If there is an affiliated relationship and the awarded vendor does not actually hold the  
1010 certification, the bidder must include documentation of proof that the bidding vendor has an affiliation or is a  
1011 subdivision, subsidiary, or department of a company that does have a ISO-9001 certification, in accordance to  
1012 the definition stated above, including a letter of qualification on the ISO-9001. This letter should be on the  
1013 ISO-9001-certified company's letterhead and signed by an authorized official of the company as well as

1014 notarized. The content of the letter should describe the relation between the two companies and how the  
1015 definition of affiliate is met including a description of the ownership or control. An ISO-9001 certificate should  
1016 be included and in the "ISO CERTIFICATION INFORMATION" area on the cover page, the certifying company's information  
1017 should be entered. Adjacent to the title of that section the bidder will include a statement that identifies the  
1018 relation to the certified company. This statement should read: In Affiliation With..., Subdivision of ...,  
1019 Subsidiary of ..., or A Department of .... (Ex: *In Affiliation with XYZ Corp.*).

1020

AGREEMENT

---

I. General Stipulations

For mutual consideration, the Alabama State Department of Education and Company, a State Corp, do fully understand and agree to the below rendition of facts and law that support the need for the following agreement. Company, a State Corp, recognizes, accepts, and agrees with the Alabama State Department of Education to the following:

Section 16-61E-2 Code of Alabama (1975) permits school districts to enter joint purchasing agreements for the lease or purchase of "information technology" defined as "equipment, supplies, and other tangible personal property, software, services, or any combination of the foregoing, used to provide data processing, networking, or communications services." As a result, the Montgomery County Public School System and other educational institutions across the State of Alabama have entered into as many separate joint purchasing agreements where each agree with one another to purchase or lease information technology for their respective schools. These schools, to-wit: the Local Education Agencies (LEAs) listed on the contract administrator website, and hereinafter referred to as LEA Group Members, have entered into the aforesaid joint purchasing agreements for the purpose of competitive bidding and purchasing and/or leasing of information technology and in each respective joint purchasing agreement have expressly authorized the SDE as its Joint Purchasing Administrator. Additionally, state law allows the Administrator, SDE, to be responsible for issuing the Invitation to Bid, evaluating the bids received, and awarding the contract.

This document is the resulting contract by and between Company, a State Corp, with its principles offices at Address, City, ST, Zip hereinafter referred to as "Vendor" and the State of Alabama, acting for purposes of this Contract through its State Department of Education (SDE) with its offices at Montgomery, AL. This contract is in complete accord with Section 16-61E-2 Code of Alabama (1975) (see Attachment A) and Invitation to Bid (ITB) #ALJP2011 (see Attachment B) and vendor's response to ITB #ALJP2011 (see Attachment ). Inasmuch as the correct and proper invitation and evaluation of bids have been followed by all parties, the Vendor has been awarded this contract by the SDE. This agreement between SDE and Vendor will facilitate and administer the purchasing or leasing of information technology. This contract is effective Start Date and continues until First End Date. The SDE, at its own discretion, will extend the length of this contract for various periods not to exceed a period of 36 months for the total life of the contract. The resulting contract will, without written notification, automatically renew on an annual basis unless the SDE declines to renew the resulting contract for the additional periods. In the event that an annual full or partial renewal is not offered, the SDE will notify the contract holder in writing 60 days prior to the renewal expiration date.

In consideration of the various sums and rates listed in the attachments made part of this agreement, the Vendor agrees to provide the product line of Product Line consisting of but not limited to,

1060 on for the purchasing of the aforesaid LEA Group Members in accordance to Section 16-61E-2  
 1061 Code of Alabama (1975). Additionally, the Vendor agrees to abide by the terms and conditions expressed  
 1062 below by the SDE, Administrator of these joint purchasing agreements.

1064 II. Conditions of Administration  
 1065

- 1066 (1) The Vendor will be required to maintain and keep current the Product Line Product  
 1067 Offering & Base Pricing source as submitted.
- 1068 (2) The Vendor will be required to maintain and keep current the required elements on the  
 1069 Vendor developed Product Line Contract Website located at PLC WEBSITE URL.
- 1070 (3) The Vendor will combine base pricing from the Product Line Product Offering & Base  
 1071 Pricing source and the awarded discount information to maintain the ALJP Price List and  
 1072 updates this file to be located on the Product Line Contract Website. The Vendor will  
 1073 notify the SDE of this or any changes to information on the Product Line Contract Website  
 1074 with a short description of the change(s) via an email to [alj@alsde.edu](mailto:alj@alsde.edu). SDE requires that  
 1075 only Product Line branded products be included on the ALJP Price Listing.
- 1076 (4) The SDE will use the awarded Product Line Product Offering & Base Pricing source and  
 1077 Discount(s) to verify the ALJP Pricing submitted and the prices quoted by listed Sales  
 1078 Contacts and/or an online ordering website (if applicable).  
 1079
- 1080 (5) The Ordering Instructions will be provided by the Vendor through the Vendor developed  
 1081 Product Line Contract Website. The Vendor is responsible for keeping the SDE informed of  
 1082 any changes to the Ordering Instructions and shall keep all information accurate and  
 1083 current.  
 1084
- 1085 (6) The Vendor must provide quarterly contract activity and other reports to the SDE as  
 1086 described within ITB#ALJP2012e.  
 1087
- 1088 (7) The LEA Group Members, Vendor or the Vendor assigned Authorized Resellers will be  
 1089 required to reference any quotes, purchase orders or other documentation issued as a  
 1090 result of the contract by identifying the same with "Contract #ALJP2012e-xxxx" for audit  
 1091 purposes.  
 1092
- 1093 (8) The Vendor and its Authorized Resellers (if applicable) will provide purchase order  
 1094 information from all sales activity as directed by the SDE.  
 1095
- 1096 (9) In accordance with Section 16-61E-2 Code of Alabama (1975), each LEA Group Members  
 1097 shall pay its share of expenditures for purchases under this agreement in the manner as it  
 1098 pays other expenses of the LEA.  
 1099

1100 (10) The SDE will not issue purchase orders for the LEA Group Members but will only  
 1101 administer the program for the LEA Group Members. Purchase orders will be initiated by  
 1102 the individual LEA Group Member and Vendor or Reseller (per Vendor's instructions).  
 1103

1104 (11) The SDE in addition to monitoring and oversight, may also purchase, with the consent of  
 1105 the Director of Finance or his or her designee, from ALJP contracts when purchases are  
 1106 necessary to maintain statewide application and compatibility.

1108 (12) By signing this agreement the Vendor agrees to the terms set forth within the "Alabama  
 1109 Department of Education Invitation to Bid ALJP2012e" to provide branded productline  
 1110 products consisting of but not limited to, pldescription. Further, after signature of an  
 1111 authorized Company official and return of the Agreement to SDE at the address provided  
 1112 in ITB #ALJP2012e, this agreement shall be considered in force and effect.

### 1113 III. Contract Disputes.

1114 (1) Dispute Resolution. The parties shall attempt, in good faith, for a period of not less  
 1115 than thirty (30) days to resolve any controversy, claim, or dispute arising out of this  
 1116 Agreement through negotiations. Furthermore, should the parties be unable to resolve  
 1117 any disputes arising under the terms of this Contract, the parties hereto agree, in  
 1118 compliance with the recommendations of the Governor and Attorney General, when  
 1119 considering settlement of such disputes, to utilize appropriate forms of non-binding  
 1120 alternative dispute resolution including, but not limited to, mediation by and through the  
 1121 Attorney General's Office of Administrative Hearings or where appropriate, private  
 1122 mediators.

1124 (2) Termination by the State. This Contract may be terminated by the State for Default, as  
 1125 follows:

1126 a. Termination for Default. The State shall have the right to terminate this  
 1127 Contract for Default by (Vendor) upon thirty (30) day written notice. A  
 1128 Default shall be deemed to have occurred if (Vendor) breaches any  
 1129 primary obligations, terms or conditions of this Contract and fails to cure  
 1130 such breach within thirty (30) days after receipt of written notice from  
 1131 the State concerning such breach.

1134 b. Termination for Vendor Bankruptcy. To the extent permitted by  
 1135 applicable law, in the event of the filing of a petition in bankruptcy by or  
 1136 against Vendor, which is not dismissed within thirty (30) days, the State  
 1137 shall have the right to terminate this Contract upon ten (10) days advance  
 1138 written notice.  
 1139



1184 This Contract, together with the bid response Attachments (A & B) hereto, constitutes  
 1185 the complete and entire agreement between the parties. This Contract supersedes all  
 1186 prior discussions, understandings, arrangements and negotiations between the parties  
 1187 with respect to the subject matter of this Contract. The terms and conditions of this  
 1188 Contract shall prevail notwithstanding any variance with the terms and conditions of  
 1189 any order submitted with respect to the Support Services, equipment, supplies or any  
 1190 related services provided in this Contract. This Contract shall not be modified,  
 1191 amended, rescinded, canceled or waived in whole or in part without the written  
 1192 agreement signed by both parties.

1193  
 1194  
 1195 V. Required State Provisions.

- 1196  
 1197 (1) It is understood that there is no entitlement to any State Merit System benefits to anyone  
 1198 working under the terms of this Contract.  
 1199  
 1200 (2) Notwithstanding any provision within this Contract to the contrary, no travel is to be  
 1201 paid by the State under this Contract unless approved in advance by the State  
 1202 Superintendent and agreed for reimbursement to the State by the State Finance Director.  
 1203  
 1204 (3) The State Superintendent of Education, through his designated representatives, will  
 1205 sponsor and approve the purposes, administration, and supervision of all phases of the  
 1206 services to be provided.  
 1207  
 1208 (4) The initial duration of this agreement is startdate, through June 30, 2012 with  
 1209 aforementioned extensions. Either party upon receipt of a 30-day written notification  
 1210 may terminate the agreement.  
 1211  
 1212 (5) It is agreed that the terms and commitments contained herein shall not be constituted as  
 1213 a debt of the State of Alabama in violation of Article II, Section 213 of the Constitution  
 1214 of Alabama, 1901, as amended by Amendment Number 26. It is further agreed that if  
 1215 any provision of this Contract shall contravene any statute or Constitutional provision or  
 1216 amendment, either now in effect or which may, during the course of this Contract, be  
 1217 enacted, then that conflicting provision in the Contract shall be deemed null and void.

SAMPLE

1219 The contractor's sole remedy for the settlement of any and all disputes arising under the  
1220 terms of this agreement shall be limited to the filing of a claim with the Board of  
1221 Adjustment for the State of Alabama.

1222 (6) This agreement is subject to termination in the event of proration of the fund from  
1223 which payment under this agreement is to be made.

1224  
1225 (7) Neither party shall have the right to assign or transfer its rights or obligations under this  
1226 contract without the consent of the other party.

1227  
1228 (8) All funds paid under the terms and conditions of this Contract shall be used for  
1229 purposes permitted and consistent with Alabama law.

1230  
1231 (9) BEASON-HAMMON ALABAMA TAXPAYER AND CITIZEN PROTECTION ACT  
1232 (ACT 2011-535) ALABAMA LAW (ACT 2011-535) PROVIDES THAT AS A  
1233 CONDITION FOR THE AWARD OF ANY CONTRACT BY THE STATE TO A  
1234 BUSINESS ENTITY OR EMPLOYER THAT EMPLOYS ONE OR MORE  
1235 EMPLOYEES, THE EMPLOYER SHALL PROVIDE DOCUMENTATION  
1236 ESTABLISHING THAT THE BUSINESS DOES NOT KNOWINGLY EMPLOY,  
1237 HAS NOT HIRED FOR EMPLOYMENT, NOR WILL IT CONTINUE TO EMPLOY  
1238 AN UNAUTHORIZED ALIEN, AS THAT TERM IS DEFINED IN ALABAMA ACT  
1239 2011-535. BY SIGNING THIS AGREEMENT AND BY REFERENCE IN  
1240 SUBMITTED BID RESPONSE, COMPANY HEREBY CERTIFIES THAT THEY  
1241 ARE IN FULL COMPLIANCE WITH ACT 2011-535 AND ACKNOWLEDGES  
1242 THAT THE AWARDING AUTHORITY WILL DECLARE THIS AGREEMENT  
1243 VOID IF THE CERTIFICATION IS NOT VALID. DOCUMENTATION OF  
1244 ENROLLMENT IN THE E-VERIFY PROGRAM WILL BE REQUIRED. FAILURE  
1245 TO PROVIDE DOCUMENTATION WITHIN 5 CALENDAR DAYS OF  
1246 NOTIFICATION BY THE SDE WILL RESULT IN THE VOID OF THIS



1247 AGREEMENT. TO ENROLL IN THE E-VERIFY PROGRAM VISIT  
1248 WWW.DHS.GOV/E-VERIFY

1249 IN WITNESS WHEREOF, the SDE and Vendor have executed this Contract as  
1250 of the \_\_\_\_\_ day of \_\_\_\_\_ 2012.

1251

Company

STATE OF ALABAMA  
DEPARTMENT OF EDUCATION

\_\_\_\_\_  
(Signature)

\_\_\_\_\_

Dr. Warren Craig Pouncey  
Deputy State Superintendent of Education Division  
of Administration and Financial Services

\_\_\_\_\_  
(Printed Name)

\_\_\_\_\_  
(Printed Title)

This contract has been reviewed for legal form and appears to comply  
with all applicable laws, rules and regulations of the State of Alabama  
governing these matters.

\_\_\_\_\_

Larry E. Craven  
General Counsel for the  
State Department of Education

1252  
1253

1254

ATTACHMENT A - INTERNATIONAL ORGANIZATION FOR

1255

STANDARDIZATION (ISO) CERTIFICATE & SUPPORTING DOCUMENTATION

1256

1257

*Insert ISO Certificate and all supporting documentation here*

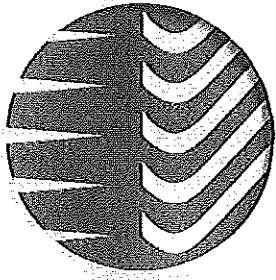


1258

1259

1260

1261



# CERTIFICATE OF REGISTRATION

This is to certify that

## **SMART Technologies ULC**

3636 Research Road NW, Calgary, Alberta T2L 1Y1 Canada

operates a

## **Quality Management System**

which complies with the requirements of

## **ISO 9001:2008**

for the following scope of registration

The registration covers the Quality Management System for design, development and manufacture of interactive whiteboards and group-collaboration software and hardware.

Certificate No: CERT-0041772  
File No: 011338  
Issue Date: March 21, 2011

Original Certification Date: April 2, 2008  
Current Certification Date: April 1, 2011  
Certificate Expiry Date: March 31, 2014

Chris Jouppi  
President,  
QMI-SAI Canada Limited

Alex Ezrakhovich  
General Manager,  
SAI Global Certification Services Pty Ltd



ISO 9001



Registered by:  
SAI Global Certification Services Pty Ltd, 286 Sussex Street, Sydney NSW 2000 Australia with QMI-SAI Canada Limited, 20 Carlson Court, Suite 100,  
Toronto, Ontario M9W 7K6 Canada (SAI GLOBAL). This registration is subject to the SAI Global Terms and Conditions for Certification. While all due care  
and skill was exercised in carrying out this assessment, SAI Global accepts responsibility only for proven negligence. This certificate remains the property  
of SAI Global and must be returned to them upon request.  
To verify that this certificate is current, please refer to the SAI Global On-Line Certification Register: [www.qmi-saiglobal.com/qmi\\_companies/](http://www.qmi-saiglobal.com/qmi_companies/)

 **SAI GLOBAL**  
INFORM. INSPIRE. IMPROVE.



SMART Technologies Corporation  
Washington Sales Office  
1655 North Fort Myer Drive, Suite 1120  
Arlington, VA 22209  
USA

Phone 703.516.7627  
Fax 703.351.1113

SMART Technologies ULC (Head Office)  
3636 Research Road NW  
Calgary, AB T2L 1Y1  
CANADA

Phone 403.245.0333  
Fax 403.228.2500  
info@smarttech.com www.smarttech.com

July 10, 2012

Alabama Department of Education  
Technology Initiatives  
50 N. Ripley St.  
5315 Gordon Persons Building  
Montgomery, AL 36104-3833

**Attention: Jerome Browning**

Dear Sir:

**Subject: ISO Certification Information No. CERT-0041772**  
**Alabama Department of Education, Invitation to Bid ALJP2012 (the "Bid")**  
**Affiliates and ISO-9001 Qualification**

---

SMART Technologies ULC ("SMART Canada") is a corporation formed by Amalgamation under the laws of the Province of Alberta, Canada on August 28, 2007, with registered office in Calgary, Alberta Canada. SMART Canada is the manufacturer of the products submitted for tender under this Bid and is certified to ISO 9001:2008 standards (Certificate of Registration attached).

SMART Technologies Corporation ("SMART US") is a corporation incorporated under the laws of the State of Delaware on October 18, 1995, with sales offices in Chicago, IL, Arlington, VA and New York, NY. SMART US is a wholly-owned subsidiary of SMART Canada and is directly controlled by SMART Canada.

SMART US and SMART Canada are "affiliates" in accordance with the Bid terms and all sales in the United States are fulfilled by SMART US and accordingly SMART US is the vendor/bidder under this Bid.

Yours truly,

**SMART Technologies ULC**

  
\_\_\_\_\_  
Drew Fitch  
Vice President, CFO and VP Finance

I, Merran Christie, a notary public in and for the Province of Alberta, Canada, hereby certify that the above is the signature of Drew Fitch, CFO and VP Finance, and that he is an officer of SMART Technologies ULC and SMART Technologies Corporation.

City of Calgary, Province of Alberta  
Signed before me this 11<sup>th</sup> day of July, 2012.

Notary Public:   
\_\_\_\_\_  
Merran Christie  
Barrister & Solicitor

1262  
1263  
1264

ATTACHMENT B - E-VERIFY SUPPORTING DOCUMENTATION (IF  
APPLICABLE)

---



**ALABAMA IMMIGRATION LAW COMPLIANCE GUIDELINES  
FOR CONTRACTORS AND VENDORS DOING BUSINESS WITH  
THE ALABAMA STATE DEPARTMENT OF EDUCATION**

Section 9 of Alabama Act No. 2011-535 entitled the "Beason-Hammon Alabama Taxpayer and Citizen Protection Act" (<http://www.ago.state.al.us/File-Immigration-AL-Law-2011-535>) requires that, as a condition for the award of a contract to a business entity or employer that employs one or more employees working in Alabama, the business entity or employer provide an affidavit and documentation of enrollment in the Federal E-Verify program. During the performance of the contract, the business entity or employer shall participate in the E-Verify program and shall verify every employee that is required to be verified according to the applicable federal rules and regulations. The attached Affidavit For Business Entity/Employer/Contractor and the entity's E-Verify Memorandum of Understanding must be included with the bid or contract. If you do not believe these requirements are applicable to your entity, include an explanation justifying such exemption.

An entity can obtain the E-Verify Memorandum of Understanding upon completion in the E-Verify enrollment process located at the federal web site [www.uscis.gov/everify](http://www.uscis.gov/everify) or at the Alabama Department of Homeland Security web site <http://immigration.alabama.gov>. The Alabama Department of Homeland Security has established an E-Verify employer agent account for any business entity or employer with 25 or fewer employees that will provide a participating business entity or employer with the required documentation of enrollment in the E-Verify program.

**FORM FOR SECTIONS 9 (a) and (b) BEASON-HAMMON ALABAMA TAXPAYER AND  
CITIZEN PROTECTION ACT; CODE OF ALABAMA, SECTIONS 31-13-9 (a) and (b)**

**AFFIDAVIT FOR BUSINESS ENTITY/EMPLOYER/CONTRACTOR**

*(To be completed as a condition for the award of any contract, grant, or incentive by the State of Alabama, any political subdivision thereof, or any state-funded entity to a business entity or employer that employs one or more employees)*

*JK* Province Alberta  
State of Illinois

*JK* County of Oak  
*JK* Calgary

Before me, a notary public, personally appeared Pam Ramotowski  
*JK* (print name)

who, being duly sworn, says as follows:

As a condition for the award of any contract, grant, or incentive by the State of Alabama, any political subdivision thereof, or any state-funded entity to a business entity or employer that employs one or more employees, I hereby attest that in my capacity as

Vice President, People Services (state position) for

SMART Technologies (state business entity/employer/contractor name)

that said business entity/employer/contractor shall not knowingly employ, hire for employment, or continue to employ an unauthorized alien.

I further attest that said business entity/employer/contractor is enrolled in the E-Verify program.\*

*Pamela Ramotowski* Signature of Affiant

Sworn to and subscribed before me this 9 day of July, 2012.  
I certify that the affiant is known (or made known) to me to be the identical party he or she claims to be.

*Jeffrey Alan Lind* Signature and Seal of Notary Public

\*(ATTACH DOCUMENTATION ESTABLISHING THAT BUSINESS ENTITY/EMPLOYER/CONTRACTOR IS ENROLLED IN THE E-VERIFY PROGRAM)



Company ID Number: 573523

## THE E-VERIFY PROGRAM FOR EMPLOYMENT VERIFICATION MEMORANDUM OF UNDERSTANDING

### ARTICLE I

#### PURPOSE AND AUTHORITY

This Memorandum of Understanding (MOU) sets forth the points of agreement between the Department of Homeland Security (DHS) and SMART Technologies Corporation (Employer) regarding the Employer's participation in the Employment Eligibility Verification Program (E-Verify). This MOU explains certain features of the E-Verify program and enumerates specific responsibilities of DHS, the Social Security Administration (SSA), and the Employer. E-Verify is a program that electronically confirms an employee's eligibility to work in the United States after completion of the Employment Eligibility Verification Form (Form I-9). For covered government contractors, E-Verify is used to verify the employment eligibility of all newly hired employees and all existing employees assigned to Federal contracts or to verify the entire workforce if the contractor so chooses.

Authority for the E-Verify program is found in Title IV, Subtitle A, of the Illegal Immigration Reform and Immigrant Responsibility Act of 1996 (IIRIRA), Pub. L. 104-208, 110 Stat. 3009, as amended (8 U.S.C. § 1324a note). Authority for use of the E-Verify program by Federal contractors and subcontractors covered by the terms of Subpart 22.18, "Employment Eligibility Verification", of the Federal Acquisition Regulation (FAR) (hereinafter referred to in this MOU as a "Federal contractor with the FAR E-Verify clause") to verify the employment eligibility of certain employees working on Federal contracts is also found in Subpart 22.18 and in Executive Order 12989, as amended.

### ARTICLE II

#### FUNCTIONS TO BE PERFORMED

##### A. RESPONSIBILITIES OF SSA

1. SSA agrees to provide the Employer with available information that allows the Employer to confirm the accuracy of Social Security Numbers provided by all employees verified under this MOU and the employment authorization of U.S. citizens.
2. SSA agrees to provide to the Employer appropriate assistance with operational problems that may arise during the Employer's participation in the E-Verify program. SSA agrees to provide the Employer with names, titles, addresses, and telephone numbers of SSA representatives to be contacted during the E-Verify process.
3. SSA agrees to safeguard the information provided by the Employer through the E-Verify program procedures, and to limit access to such information, as is appropriate by law, to individuals responsible for the verification of Social Security Numbers and for evaluation of the E-Verify program or such other persons or entities who may be authorized by SSA as governed



Company ID Number: 573523

by the Privacy Act (5 U.S.C. § 552a), the Social Security Act (42 U.S.C. 1306(a)), and SSA regulations (20 CFR Part 401).

4. SSA agrees to provide a means of automated verification that is designed (in conjunction with DHS's automated system if necessary) to provide confirmation or tentative nonconfirmation of U.S. citizens' employment eligibility within 3 Federal Government work days of the initial inquiry.

5. SSA agrees to provide a means of secondary verification (including updating SSA records as may be necessary) for employees who contest SSA tentative nonconfirmations that is designed to provide final confirmation or nonconfirmation of U.S. citizens' employment eligibility and accuracy of SSA records for both citizens and non-citizens within 10 Federal Government work days of the date of referral to SSA, unless SSA determines that more than 10 days may be necessary. In such cases, SSA will provide additional verification instructions.

## B. RESPONSIBILITIES OF DHS

1. After SSA verifies the accuracy of SSA records for employees through E-Verify, DHS agrees to provide the Employer access to selected data from DHS's database to enable the Employer to conduct, to the extent authorized by this MOU:

- Automated verification checks on employees by electronic means, and
- Photo verification checks (when available) on employees.

2. DHS agrees to provide to the Employer appropriate assistance with operational problems that may arise during the Employer's participation in the E-Verify program. DHS agrees to provide the Employer names, titles, addresses, and telephone numbers of DHS representatives to be contacted during the E-Verify process.

3. DHS agrees to make available to the Employer at the E-Verify Web site and on the E-Verify Web browser, instructional materials on E-Verify policies, procedures and requirements for both SSA and DHS, including restrictions on the use of E-Verify. DHS agrees to provide training materials on E-Verify.

4. DHS agrees to provide to the Employer a notice, which indicates the Employer's participation in the E-Verify program. DHS also agrees to provide to the Employer anti-discrimination notices issued by the Office of Special Counsel for Immigration-Related Unfair Employment Practices (OSC), Civil Rights Division, U.S. Department of Justice.

5. DHS agrees to issue the Employer a user identification number and password that permits the Employer to verify information provided by employees with DHS's database.

6. DHS agrees to safeguard the information provided to DHS by the Employer, and to limit access to such information to individuals responsible for the verification of employees' employment eligibility and for evaluation of the E-Verify program, or to such other persons or entities as may be authorized by applicable law. Information will be used only to verify the accuracy of Social Security Numbers and employment eligibility, to enforce the Immigration and

Company ID Number: 573523

Nationality Act (INA) and Federal criminal laws, and to administer Federal contracting requirements.

7. DHS agrees to provide a means of automated verification that is designed (in conjunction with SSA verification procedures) to provide confirmation or tentative nonconfirmation of employees' employment eligibility within 3 Federal Government work days of the initial inquiry.

8. DHS agrees to provide a means of secondary verification (including updating DHS records as may be necessary) for employees who contest DHS tentative nonconfirmations and photo non-match tentative nonconfirmations that is designed to provide final confirmation or nonconfirmation of the employees' employment eligibility within 10 Federal Government work days of the date of referral to DHS, unless DHS determines that more than 10 days may be necessary. In such cases, DHS will provide additional verification instructions.

## C. RESPONSIBILITIES OF THE EMPLOYER

1. The Employer agrees to display the notices supplied by DHS in a prominent place that is clearly visible to prospective employees and all employees who are to be verified through the system

2. The Employer agrees to provide to the SSA and DHS the names, titles, addresses, and telephone numbers of the Employer representatives to be contacted regarding E-Verify.

3. The Employer agrees to become familiar with and comply with the most recent version of the E-Verify User Manual

4. The Employer agrees that any Employer Representative who will perform employment verification queries will complete the E-Verify Tutorial before that individual initiates any queries.

A. The Employer agrees that all Employer representatives will take the refresher tutorials initiated by the E-Verify program as a condition of continued use of E-Verify.

B. Failure to complete a refresher tutorial will prevent the Employer from continued use of the program.

5. The Employer agrees to comply with current Form I-9 procedures, with two exceptions:

- If an employee presents a "List B" identity document, the Employer agrees to only accept "List B" documents that contain a photo. (List B documents identified in 8 C.F.R. § 274a.2(b)(1)(B)) can be presented during the Form I-9 process to establish identity.) If an employee objects to the photo requirement for religious reasons, the Employer should contact E-Verify at 888-464-4218.

- If an employee presents a DHS Form I-551 (Permanent Resident Card) or Form I-766 (Employment Authorization Document) to complete the Form I-9, the Employer agrees to make a photocopy of the document and to retain the photocopy with the employee's Form I-9. The photocopy must be of sufficient quality to allow for verification of the photo

Company ID Number: 573523

and written information. The employer will use the photocopy to verify the photo and to assist DHS with its review of photo non-matches that are contested by employees. Note that employees retain the right to present any List A, or List B and List C. documentation to complete the Form I-9. DHS may in the future designate other documents that activate the photo screening tool.

6. The Employer understands that participation in E-Verify does not exempt the Employer from the responsibility to complete, retain, and make available for inspection Forms I-9 that relate to its employees, or from other requirements of applicable regulations or laws, including the obligation to comply with the antidiscrimination requirements of section 274B of the INA with respect to Form I-9 procedures, except for the following modified requirements applicable by reason of the Employer's participation in E-Verify: (1) identity documents must have photos, as described in paragraph 5 above; (2) a rebuttable presumption is established that the Employer has not violated section 274A(a)(1)(A) of the Immigration and Nationality Act (INA) with respect to the hiring of any individual if it obtains confirmation of the identity and employment eligibility of the individual in good faith compliance with the terms and conditions of E-Verify; (3) the Employer must notify DHS if it continues to employ any employee after receiving a final nonconfirmation, and is subject to a civil money penalty between \$550 and \$1,100 for each failure to notify DHS of continued employment following a final nonconfirmation; (4) the Employer is subject to a rebuttable presumption that it has knowingly employed an unauthorized alien in violation of section 274A(a)(1)(A) if the Employer continues to employ an employee after receiving a final nonconfirmation; and (5) no person or entity participating in E-Verify is civilly or criminally liable under any law for any action taken in good faith based on information provided through the confirmation system. DHS reserves the right to conduct Form I-9 and E-Verify system compliance inspections during the course of E-Verify, as well as to conduct any other enforcement activity authorized by law.

7. The Employer agrees to initiate E-Verify verification procedures for new employees within 3 Employer business days after each employee has been hired (but after the Form I-9 has been completed), and to complete as many (but only as many) steps of the E-Verify process as are necessary according to the E-Verify User Manual, or in the case of Federal contractors with the FAR E-Verify clause, the E-Verify User Manual for Federal Contractors. The Employer is prohibited from initiating verification procedures before the employee has been hired and the Form I-9 completed. If the automated system to be queried is temporarily unavailable, the 3-day time period is extended until it is again operational in order to accommodate the Employer's attempting, in good faith, to make inquiries during the period of unavailability. Employers may initiate verification by notating the Form I-9 in circumstances where the employee has applied for a Social Security Number (SSN) from the SSA and is waiting to receive the SSN, provided that the Employer performs an E-Verify employment verification query using the employee's SSN as soon as the SSN becomes available.

8. The Employer agrees not to use E-Verify procedures for pre-employment screening of job applicants, in support of any unlawful employment practice, or for any other use not authorized by this MOU. Employers must use E-Verify for all new employees, unless an Employer is a Federal contractor that qualifies for the exceptions described in Article II.D.1.c. Except as provided in Article II.D, the Employer will not verify selectively and will not verify employees hired before the effective date of this MOU. The Employer understands that if the Employer uses the E-Verify system for any purpose other than as authorized by this MOU, the Employer

Company ID Number: 573523

may be subject to appropriate legal action and termination of its access to SSA and DHS information pursuant to this MOU.

9. The Employer agrees to follow appropriate procedures (see Article III, below) regarding tentative nonconfirmations, including notifying employees in private of the finding and providing them written notice of the findings, providing written referral instructions to employees, allowing employees to contest the finding, and not taking adverse action against employees if they choose to contest the finding. Further, when employees contest a tentative nonconfirmation based upon a photo non-match, the Employer is required to take affirmative steps (see Article III.B. below) to contact DHS with information necessary to resolve the challenge.

10. The Employer agrees not to take any adverse action against an employee based upon the employee's perceived employment eligibility status while SSA or DHS is processing the verification request unless the Employer obtains knowledge (as defined in 8 C.F.R. § 274a.1(i)) that the employee is not work authorized. The Employer understands that an initial inability of the SSA or DHS automated verification system to verify work authorization, a tentative nonconfirmation, a case in continuance (indicating the need for additional time for the government to resolve a case), or the finding of a photo non-match, does not establish, and should not be interpreted as evidence, that the employee is not work authorized. In any of the cases listed above, the employee must be provided a full and fair opportunity to contest the finding, and if he or she does so, the employee may not be terminated or suffer any adverse employment consequences based upon the employee's perceived employment eligibility status (including denying, reducing, or extending work hours, delaying or preventing training, requiring an employee to work in poorer conditions, refusing to assign the employee to a Federal contract or other assignment, or otherwise subjecting an employee to any assumption that he or she is unauthorized to work) until and unless secondary verification by SSA or DHS has been completed and a final nonconfirmation has been issued. If the employee does not choose to contest a tentative nonconfirmation or a photo non-match or if a secondary verification is completed and a final nonconfirmation is issued, then the Employer can find the employee is not work authorized and terminate the employee's employment. Employers or employees with questions about a final nonconfirmation may call E-Verify at 1-888-464-4218 or OSC at 1-800-255-8155 or 1-800-237-2515 (TDD).

11. The Employer agrees to comply with Title VII of the Civil Rights Act of 1964 and section 274B of the INA, as applicable, by not discriminating unlawfully against any individual in hiring, firing, or recruitment or referral practices because of his or her national origin or, in the case of a protected individual as defined in section 274B(a)(3) of the INA, because of his or her citizenship status. The Employer understands that such illegal practices can include selective verification or use of E-Verify except as provided in part D below, or discharging or refusing to hire employees because they appear or sound "foreign" or have received tentative nonconfirmations. The Employer further understands that any violation of the unfair immigration-related employment practices provisions in section 274B of the INA could subject the Employer to civil penalties, back pay awards, and other sanctions, and violations of Title VII could subject the Employer to back pay awards, compensatory and punitive damages. Violations of either section 274B of the INA or Title VII may also lead to the termination of its participation in E-Verify. If the Employer has any questions relating to the anti-discrimination provision, it should contact OSC at 1-800-255-8155 or 1-800-237-2515 (TDD).

Company ID Number: 573523

12. The Employer agrees to record the case verification number on the employee's Form I-9 or to print the screen containing the case verification number and attach it to the employee's Form I-9.

13. The Employer agrees that it will use the information it receives from SSA or DHS pursuant to E-Verify and this MOU only to confirm the employment eligibility of employees as authorized by this MOU. The Employer agrees that it will safeguard this information, and means of access to it (such as PINS and passwords) to ensure that it is not used for any other purpose and as necessary to protect its confidentiality, including ensuring that it is not disseminated to any person other than employees of the Employer who are authorized to perform the Employer's responsibilities under this MOU, except for such dissemination as may be authorized in advance by SSA or DHS for legitimate purposes.

14. The Employer acknowledges that the information which it receives from SSA is governed by the Privacy Act (5 U.S.C. § 552a(i)(1) and (3)) and the Social Security Act (42 U.S.C. 1306(a)), and that any person who obtains this information under false pretenses or uses it for any purpose other than as provided for in this MOU may be subject to criminal penalties.

15. The Employer agrees to cooperate with DHS and SSA in their compliance monitoring and evaluation of E-Verify, including by permitting DHS and SSA, upon reasonable notice, to review Forms I-9 and other employment records and to interview it and its employees regarding the Employer's use of E-Verify, and to respond in a timely and accurate manner to DHS requests for information relating to their participation in E-Verify.

#### **D. RESPONSIBILITIES OF FEDERAL CONTRACTORS WITH THE FAR E-VERIFY CLAUSE**

1. The Employer understands that if it is a subject to the employment verification terms in Subpart 22.18 of the FAR, it must verify the employment eligibility of any existing employee assigned to the contract and all new hires, as discussed in the Supplemental Guide for Federal Contractors. Once an employee has been verified through E-Verify by the Employer, the Employer may not reverify the employee through E-Verify.

a. Federal contractors with the FAR E-Verify clause agree to become familiar with and comply with the most recent versions of the E-Verify User Manual for Federal Contractors and the E-Verify Supplemental Guide for Federal Contractors

b. Federal contractors with the FAR E-Verify clause agree to complete a tutorial for Federal contractors with the FAR E-Verify clause

c. Federal contractors with the FAR E-Verify clause not enrolled at the time of contract award: An Employer that is not enrolled in E-Verify at the time of a contract award must enroll as a Federal contractor with the FAR E-Verify clause in E-Verify within 30 calendar days of contract award and, within 90 days of enrollment, begin to use E-Verify to initiate verification of employment eligibility of new hires of the Employer who are working in the United States, whether or not assigned to the contract. Once the Employer begins verifying new hires, such verification of new hires must be initiated within 3 business days after the date of hire. Once enrolled in E-Verify as a Federal contractor with the FAR E-Verify clause, the Employer must initiate verification of employees assigned to the contract within 90 calendar days from the time

Company ID Number: 573523

of enrollment in the system and after the date and selecting which employees will be verified in E-Verify or within 30 days of an employee's assignment to the contract, whichever date is later.

d Employers that are already enrolled in E-Verify at the time of a contract award but are not enrolled in the system as a Federal contractor with the FAR E-Verify clause; Employers enrolled in E-Verify for 90 days or more at the time of a contract award must use E-Verify to initiate verification of employment eligibility for new hires of the Employer who are working in the United States, whether or not assigned to the contract, within 3 business days after the date of hire. Employers enrolled in E-Verify as other than a Federal contractor with the FAR E-Verify clause, must update E-Verify to indicate that they are a Federal contractor with the FAR E-Verify clause within 30 days after assignment to the contract. If the Employer is enrolled in E-Verify for 90 calendar days or less at the time of contract award, the Employer must, within 90 days of enrollment, begin to use E-Verify to initiate verification of new hires of the contractor who are working in the United States, whether or not assigned to the contract. Such verification of new hires must be initiated within 3 business days after the date of hire. An Employer enrolled as a Federal contractor with the FAR E-Verify clause in E-Verify must initiate verification of each employee assigned to the contract within 90 calendar days after date of contract award or within 30 days after assignment to the contract, whichever is later.

e Institutions of higher education, State, local and tribal governments and sureties; Federal contractors with the FAR E-Verify clause that are institutions of higher education (as defined at 20 U.S.C. 1001(a)), State or local governments, governments of Federally recognized Indian tribes, or sureties performing under a takeover agreement entered into with a Federal agency pursuant to a performance bond may choose to only verify new and existing employees assigned to the Federal contract. Such Federal contractors with the FAR E-Verify clause may, however, elect to verify all new hires, and/or all existing employees hired after November 6, 1986. The provisions of Article II.D, paragraphs 1.a and 1.b of this MOU providing timeframes for initiating employment verification of employees assigned to a contract apply to such institutions of higher education, State, local and tribal governments, and sureties.

f. Verification of all employees: Upon enrollment, Employers who are Federal contractors with the FAR E-Verify clause may elect to verify employment eligibility of all existing employees working in the United States who were hired after November 6, 1986, instead of verifying only new employees and those existing employees assigned to a covered Federal contract. After enrollment, Employers must elect to do so only in the manner designated by DHS and initiate E-Verify verification of all existing employees within 180 days after the election.

g Form I-9 procedures for existing employees of Federal contractors with the FAR E-Verify clause: Federal contractors with the FAR E-Verify clause may choose to complete new Forms I-9 for all existing employees other than those that are completely exempt from this process. Federal contractors with the FAR E-Verify clause may also update previously completed Forms I-9 to initiate E-Verify verification of existing employees who are not completely exempt as long as that Form I-9 is complete (including the SSN), complies with Article II.C.5, the employee's work authorization has not expired, and the Employer has reviewed the information reflected in the Form I-9 either in person or in communications with the employee to ensure that the employee's stated basis in section 1 of the Form I-9 for work authorization has not changed (including, but not limited to, a lawful permanent resident alien having become a naturalized U.S. citizen). If the Employer is unable to determine that the Form

Company ID Number: 573523

-9 complies with Article II.C.5, if the employee's basis for work authorization as attested in section 1 has expired or changed, or if the Form I-9 contains no SSN or is otherwise incomplete, the Employer shall complete a new I-9 consistent with Article II.C.5, or update the previous I-9 to provide the necessary information. If section 1 of the Form -9 is otherwise valid and up-to-date and the form otherwise complies with Article II.C.5, but reflects documentation (such as a U.S. passport or Form I-551) that expired subsequent to completion of the Form I-9, the Employer shall not require the production of additional documentation, or use the photo screening tool described in Article II.C.5, subject to any additional or superseding instructions that may be provided on this subject in the Supplemental Guide for Federal Contractors. Nothing in this section shall be construed to require a second verification using E-Verify of any assigned employee who has previously been verified as a newly hired employee under this MOU, or to authorize verification of any existing employee by any Employer that is not a Federal contractor with the FAR E-Verify clause.

2. The Employer understands that if it is a Federal contractor with the FAR E-Verify clause, its compliance with this MOU is a performance requirement under the terms of the Federal contract or subcontract, and the Employer consents to the release of information relating to compliance with its verification responsibilities under this MOU to contracting officers or other officials authorized to review the Employer's compliance with Federal contracting requirements.

### ARTICLE III

#### REFERRAL OF INDIVIDUALS TO SSA AND DHS

##### A. REFERRAL TO SSA

1. If the Employer receives a tentative nonconfirmation issued by SSA, the Employer must print the notice as directed by the E-Verify system and provide it to the employee so that the employee may determine whether he or she will contest the tentative nonconfirmation. The Employer must review the tentative nonconfirmation with the employee in private.

2. The Employer will refer employees to SSA field offices only as directed by the automated system based on a tentative nonconfirmation, and only after the Employer records the case verification number, reviews the input to detect any transaction errors, and determines that the employee contests the tentative nonconfirmation. The Employer will transmit the Social Security Number to SSA for verification again if this review indicates a need to do so. The Employer will determine whether the employee contests the tentative nonconfirmation as soon as possible after the Employer receives it.

3. If the employee contests an SSA tentative nonconfirmation, the Employer will provide the employee with a system-generated referral letter and instruct the employee to visit an SSA office within 8 Federal Government work days. SSA will electronically transmit the result of the referral to the Employer within 10 Federal Government work days of the referral unless it determines that more than 10 days is necessary. The Employer agrees to check the E-Verify system regularly for case updates.

4. The Employer agrees not to ask the employee to obtain a printout from the Social Security Number database (the Numident) or other written verification of the Social Security Number from the SSA.

Company ID Number: 573523

## B. REFERRAL TO DHS

1. If the Employer receives a tentative nonconfirmation issued by DHS, the Employer must print the tentative nonconfirmation notice as directed by the E-Verify system and provide it to the employee so that the employee may determine whether he or she will contest the tentative nonconfirmation. The Employer must review the tentative nonconfirmation with the employee in private.

2. If the Employer finds a photo non-match for an employee who provides a document for which the automated system has transmitted a photo, the employer must print the photo non-match tentative nonconfirmation notice as directed by the automated system and provide it to the employee so that the employee may determine whether he or she will contest the finding. The Employer must review the tentative nonconfirmation with the employee in private.

3. The Employer agrees to refer individuals to DHS only when the employee chooses to contest a tentative nonconfirmation received from DHS automated verification process or when the Employer issues a tentative nonconfirmation based upon a photo non-match. The Employer will determine whether the employee contests the tentative nonconfirmation as soon as possible after the Employer receives it.

4. If the employee contests a tentative nonconfirmation issued by DHS, the Employer will provide the employee with a referral letter and instruct the employee to contact DHS through its toll-free hotline (as found on the referral letter) within 8 Federal Government work days.

5. If the employee contests a tentative nonconfirmation based upon a photo non-match, the Employer will provide the employee with a referral letter to DHS. DHS will electronically transmit the result of the referral to the Employer within 10 Federal Government work days of the referral unless it determines that more than 10 days is necessary. The Employer agrees to check the E-Verify system regularly for case updates.

6. The Employer agrees that if an employee contests a tentative nonconfirmation based upon a photo non-match, the Employer will send a copy of the employee's Form I-551 or Form I-766 to DHS for review by:

- Scanning and uploading the document, or
- Sending a photocopy of the document by an express mail account (paid for at employer expense).

7. If the Employer determines that there is a photo non-match when comparing the photocopied List B document described in Article II.C.5 with the image generated in E-Verify, the Employer must forward the employee's documentation to DHS using one of the means described in the preceding paragraph, and allow DHS to resolve the case.

## ARTICLE IV

### SERVICE PROVISIONS



Company ID Number: 573523

SSA and DHS will not charge the Employer for verification services performed under this MOU. The Employer is responsible for providing equipment needed to make inquiries. To access E-Verify, an Employer will need a personal computer with Internet access.

## ARTICLE V

### **PARTIES**

A. This MOU is effective upon the signature of all parties, and shall continue in effect for as long as the SSA and DHS conduct the E-Verify program unless modified in writing by the mutual consent of all parties, or terminated by any party upon 30 days prior written notice to the others. Any and all system enhancements to the E-Verify program by DHS or SSA, including but not limited to the E-Verify checking against additional data sources and instituting new verification procedures, will be covered under this MOU and will not cause the need for a supplemental MOU that outlines these changes. DHS agrees to train employers on all changes made to E-Verify through the use of mandatory refresher tutorials and updates to the E-Verify User Manual, the E-Verify User Manual for Federal Contractors or the E-Verify Supplemental Guide for Federal Contractors. Even without changes to E-Verify, DHS reserves the right to require employers to take mandatory refresher tutorials. An Employer that is a Federal contractor with the FAR E-Verify clause may terminate this MOU when the Federal contract that requires its participation in E-Verify is terminated or completed. In such a circumstance, the Federal contractor with the FAR E-Verify clause must provide written notice to DHS. If an Employer that is a Federal contractor with the FAR E-Verify clause fails to provide such notice, that Employer will remain a participant in the E-Verify program, will remain bound by the terms of this MOU that apply to participants that are not Federal contractors with the FAR E-Verify clause, and will be required to use the E-Verify procedures to verify the employment eligibility of all newly hired employees.

B. Notwithstanding Article V, part A of this MOU, DHS may terminate this MOU if deemed necessary because of the requirements of law or policy, or upon a determination by SSA or DHS that there has been a breach of system integrity or security by the Employer, or a failure on the part of the Employer to comply with established procedures or legal requirements. The Employer understands that if it is a Federal contractor with the FAR E-Verify clause, termination of this MOU by any party for any reason may negatively affect its performance of its contractual responsibilities.

C. Some or all SSA and DHS responsibilities under this MOU may be performed by contractor(s), and SSA and DHS may adjust verification responsibilities between each other as they may determine necessary. By separate agreement with DHS, SSA has agreed to perform its responsibilities as described in this MOU.

D. Nothing in this MOU is intended, or should be construed, to create any right or benefit, substantive or procedural, enforceable at law by any third party against the United States, its agencies, officers, or employees, or against the Employer, its agents, officers, or employees.

E. Each party shall be solely responsible for defending any claim or action against it arising out of or related to E-Verify or this MOU, whether civil or criminal, and for any liability wherefrom, including (but not limited to) any dispute between the Employer and any other person or entity

**Company ID Number: 573523**

regarding the applicability of Section 403(d) of IIRIRA to any action taken or allegedly taken by the Employer.

F. The Employer understands that the fact of its participation in E-Verify is not confidential information and may be disclosed as authorized or required by law and DHS or SSA policy, including but not limited to, Congressional oversight, E-Verify publicity and media inquiries, determinations of compliance with Federal contractual requirements, and responses to inquiries under the Freedom of Information Act (FOIA).

G. The foregoing constitutes the full agreement on this subject between DHS and the Employer.

H. The individuals whose signatures appear below represent that they are authorized to enter into this MOU on behalf of the Employer and DHS respectively.



Company ID Number: 573523

To be accepted as a participant in E-Verify, you should only sign the Employer's Section of the signature page. If you have any questions, contact E-Verify at 888-464-4218.

<b>Employer SMART Technologies Corporation</b>	
<b>Jennifer Kretz</b>	
Name (Please Type or Print)	Title
<b>Electronically Signed</b>	<b>06/22/2012</b>
Signature	Date
<b>Department of Homeland Security – Verification Division</b>	
<b>USCIS Verification Division</b>	
Name (Please Type or Print)	Title
<b>Electronically Signed</b>	<b>06/22/2012</b>
Signature	Date

Information Required for the E-Verify Program

Information relating to your Company:

Company Name:	SMART Technologies Corporation
Company Facility Address:	20 S Clark Street
	Suite 1950
	Chicago, IL 60603
Company Alternate Address:	
County or Parish:	COOK
Employer Identification Number:	880411936

Company ID Number: 573523

North American Industry Classification Systems Code:	811
Administrator:	
Number of Employees:	100 to 499
Number of Sites Verified for:	1
<b>Are you verifying for more than 1 site? If yes, please provide the number of sites verified for in each State:</b>	
• ILLINOIS 1 site(s)	

**Information relating to the Program Administrator(s) for your Company on policy questions or operational problems:**

Name:	Jennifer Kretz	Fax Number:
Telephone Number:	(403) 407 - 5521	
E-mail Address:	jennifekretz@smarttech.com	
Name:	Darlene Carr	Fax Number:
Telephone Number:	(403) 407 - 4338	
E-mail Address:	DarleneCarr@smarttech.com	
Name:	Chelsea Sampson	Fax Number:
Telephone Number:	(403) 407 - 5458	
E-mail Address:	ChelseaSampson@smarttech.com	
Name:	Kirstin McNeil	Fax Number:
Telephone Number:	(403) 407 - 4252	
E-mail Address:	KirstinMcNeil@smarttech.com	



Company ID Number: 573523

ATTACHMENT C – POTENTIAL PRODUCT LINE WEBSITE  
REPRESENTATION

---

1265  
1266

1267 Provide screenshots and/or hard printed copies of the required documentation of the Potential Product  
1268 Line Website as described in the (Potential) PLC Website Requirements section in this document. This  
1269 Attachment does not have to duplicate Attachment A or B. The documentation provided here must be a  
1270 complete representation of the Potential PLC Website.



1271

1272

1273

1274

1275

1276

1277

# Alabama Joint Purchasing Program (ALJP) 2012

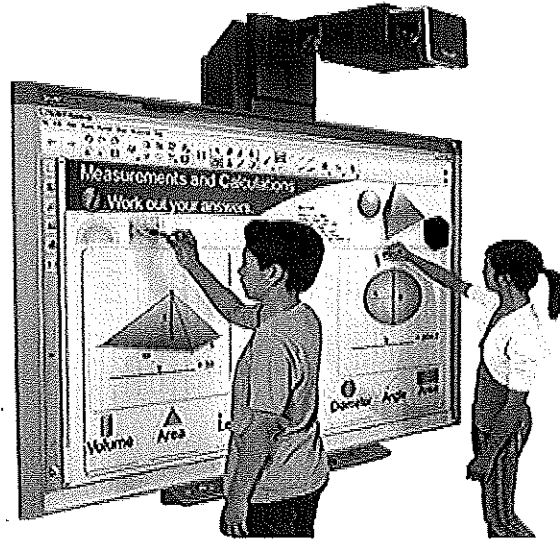
Potential ALJP SMART Technologies Contract

Alabama ALJP 2012-SMART

## Contract Term Dates:

### Quick Links

- Vendor Information
- LEA Group Member Ordering Instructions
- ALJP Authorized Resellers
- Pricing
- Warranty
- Shipping & Delivery
- Documentation
- Archive
- SDE ALJP



### Vendor Information

[Back To Top](#)

(for contract inquiries only; please contact an "Authorized ALJP Reseller" below for quotation and purchasing information)

**SMART Technologies Corporation**  
1655 North Fort Myers Drive, Suite 1120  
Arlington, VA 22209  
Ph: 403.407.4592  
Fax: 403.228.2500

Contact Person: Lora Yee  
Email: [biddesk@smarttech.com](mailto:biddesk@smarttech.com)  
[www.smarttech.com](http://www.smarttech.com)

### How to Order

[Back To Top](#)

### Placing an Order via Fax or Email

1. Locate product and prices on this website or through a sales representative below.
2. Our posted ALJP prices are for a quantity of 1\*.
3. All quotes and orders should state "As per ALJP 2012 SMART" in the body of the purchase order.
4. Fax or email the quotation to the reseller contact provided below.
  - a. Your order will be reviewed and edited by the below Vendor contacts.
  - b. You will be contacted to make any necessary corrections.
  - c. Your order will be archived for audit support.

\*Please specify if you require lift gate or inside delivery services (additional charges may apply). Standard shipping is included on all orders over \$500.00.

Please contact an ALJP Authorized Reseller below for further ordering instructions and quotation information.

## Vendor Contacts

### Information Transport Solutions, Inc

335 Jeannette Barrett Industrial Blvd  
Wetumpka, AL 36092

Contact: Tony Helton  
Ph: 334.567.1993 ext. 3004  
Fax: 334.567.6599  
Email: Tony.Helton@its-networks.com

### Synergetics DCS

44878 Highway 17  
Vernon, AL 35592

Contact: Lauren Bush  
Ph: 662.323.9484 ext. 121  
Fax: 662.324.1876  
Email: lbush@synergeticsdcs.com

### Technical Innovations

140 Business Center Drive  
Birmingham, AL 35244

Contact: Danny Grant  
Ph: 205.985.2297 ext. 6118  
Fax: 205.985.4756  
Email: dgrant@technical-innovation.com

### Teklinks

201 Summit Parkway  
Birmingham, AL 35209

Contact: Mike Girouard  
Ph: 205.314.6639  
Fax: 205.940.9067  
Email: mike@teklinks.com

### Contact: Jennifer Hyde

Ph: 205.278.7223  
Fax: 205.940.9067  
Email: jenniferhyde@teklinks.com

### Xerox Audio Visual Solutions

25309 Friendship Road  
Daphne, AL 36526

### Contact: Pete Garafola

Ph: 251.626.5748  
Fax: 251.626.6765  
Email: pgarafola@xeroxaudiovisual.com

## Pricing

[Back To Top](#)

1. SMART Technologies Product Line Product Offering and Base Pricing July 02, 2012
2. ALJP Price List July 17, 2012 with categorical discounts listed below

Category Title	Description	Proposed Discount %
SMART Board Interactive whiteboard	SMART Board Interactive whiteboard	17%



SMART Boards with UF Projector	SMART Boards with Unifi Projector	17%
SMART Interactive Projector	SMART Interactive Projector	17%
SMART Board Interactive Displays	SMART Board Interactive Displays	13%
SMART Board Interactive Display Overlays	SMART Board Interactive Display Overlays	13%
SMART Podium Interactive Pen Displays	SMART Podium Interactive Pen Displays	13%
SMART Response Interactive Response System	SMART Response Interactive Response System	13%
SMART Wireless Slate	SMART Wireless Slate	10%
SMART Document Camera	SMART Document Camera	13%
SMART Table	SMART Table	17%
Accessories, Replacement Parts and Floor Stands	Accessories, Replacement Parts and Floor Stands	13%
SMART Classroom Amplification Systems	Classroom Amplification Systems	13%
SMART Software	SMART Software	15%
Warranty	Extended Warranties	0%
Shipping Services	Lift gate and inside delivery services	0%

## Warranty

[Back To Top](#)

Please see our warranty information for our products.

Register your SMART products to take advantage of SMART's extended warranty and free product offerings.

## Shipping and Delivery

[Back To Top](#)

Products on ALJP pricelist include shipping and delivery\*.

Please contact your local ALJP Authorized Reseller for further shipping and delivery cost information.

\*For a minimum order of \$500. Excludes lift gate and inside delivery services.

## Documentation

[Back To Top](#)

1. ISO 9001 Certification Documentation
2. E-Verify Documentation
  - a. E-Verify Affidavit
  - b. E-Verify Memorandum of Understanding
3. SMART response to ALJP ITB 2012
4. Contract Activity Reports

## Archive

[Back To Top](#)

1. Contract Activity Reports
2. Sales Contact List
3. ALJP Pricelist
4. ISO Certificate





Date:	Product Line (S/m)	Tuesday, July 17, 2012	Qualified Bidder Company (S/m)	Manufacturer SKU	Product Name	Description of Product	Base Price	Discount %	AUP Price	Low	Category (If applicable)
	SMART Technologies		SMART Technologies Corporation	REFNSL840	Replacement Pens for LightBase 40w interactive projector.	Replacement Pens for LightBase 40w interactive projector.	\$129	13	\$112.23	EA	Accessories, Replacement Parts and Floor Stands
	SMART Technologies		SMART Technologies Corporation	ST230L	SMART Table 230" interactive learning center.	SMART Table 230" interactive learning center.	\$7,999	17	\$6,639.17	EA	SMART Table
	SMART Technologies		SMART Technologies Corporation	SRD905E1	SMART Board 55" Interactive Display with Notebook	SMART Board 55" Interactive Display with Notebook	\$6,099	13	\$5,284.13	EA	SMART Board Interactive Displays
	SMART Technologies		SMART Technologies Corporation	SRD80701	SMART Board Interactive Display with Notebook	SMART Board Interactive Display with Notebook	\$11,499	13	\$10,004.13	EA	SMART Board Interactive Displays
	SMART Technologies		SMART Technologies Corporation	ADP-USB-AB	USB A to B adaptor for 300 series interactive display overlays and FSSBD 300	USB A to B adaptor for 300 series interactive display overlays and FSSBD 300	\$10	13	\$8.70	EA	Accessories, Replacement Parts and Floor Stands
	SMART Technologies		SMART Technologies Corporation	FSSBD-100	SMART Mobile stand for interactive displays	SMART Mobile stand for interactive displays	\$4,399	13	\$3,827.13	EA	Accessories, Replacement Parts and Floor Stands
	SMART Technologies		SMART Technologies Corporation	FSSBD-100H	SMART Mobile stand for interactive displays for HUB SE240	SMART Mobile stand for interactive displays for HUB SE240	\$4,399	13	\$3,827.13	EA	Accessories, Replacement Parts and Floor Stands
	SMART Technologies		SMART Technologies Corporation	FSSBD-10H	Laptop shelf for SMART Mobile stand for interactive displays	Laptop shelf for SMART Mobile stand for interactive displays	\$199	13	\$173.13	EA	Accessories, Replacement Parts and Floor Stands
	SMART Technologies		SMART Technologies Corporation	FSSBD-RACK-MT	Cabinet conversion kit for a rack mount configuration	Cabinet conversion kit for a rack mount configuration	\$19	13	\$16.53	EA	Accessories, Replacement Parts and Floor Stands
	SMART Technologies		SMART Technologies Corporation	SRD905E1-ITS	Table Stand from SMART Board 55" Interactive Display	Table Stand from SMART Board 55" Interactive Display	\$199	13	\$173.13	EA	Accessories, Replacement Parts and Floor Stands
	SMART Technologies		SMART Technologies Corporation	SRD-1442	SMART Board interactive display overlay for select 42" large bezel flat panel displays includes SMART Notebook software	SMART Board interactive display overlay for select 42" large bezel flat panel displays includes SMART Notebook software	\$3,799	13	\$3,305.13	EA	SMART Board Interactive Display Overlays
	SMART Technologies		SMART Technologies Corporation	SRD-5442	SMART Board interactive display overlay for select 42" small bezel flat panel displays includes SMART Notebook software	SMART Board interactive display overlay for select 42" small bezel flat panel displays includes SMART Notebook software	\$3,799	13	\$3,305.13	EA	SMART Board Interactive Display Overlays
	SMART Technologies		SMART Technologies Corporation	SRD-1446	SMART Board interactive display overlay for select 46" large bezel flat panel displays includes SMART Notebook software	SMART Board interactive display overlay for select 46" large bezel flat panel displays includes SMART Notebook software	\$4,099	13	\$3,566.13	EA	SMART Board Interactive Display Overlays
	SMART Technologies		SMART Technologies Corporation	SRD-5446	SMART Board interactive display overlay for select 46" small bezel flat panel displays includes SMART Notebook software	SMART Board interactive display overlay for select 46" small bezel flat panel displays includes SMART Notebook software	\$4,099	13	\$3,566.13	EA	SMART Board Interactive Display Overlays
	SMART Technologies		SMART Technologies Corporation	SRD-1450	SMART Board interactive display overlay for select 50" large bezel flat panel displays includes SMART Notebook software	SMART Board interactive display overlay for select 50" large bezel flat panel displays includes SMART Notebook software	\$4,399	13	\$3,827.13	EA	SMART Board Interactive Display Overlays
	SMART Technologies		SMART Technologies Corporation	SRD-5450	SMART Board interactive display overlay for select 50" small bezel flat panel displays includes SMART Notebook software	SMART Board interactive display overlay for select 50" small bezel flat panel displays includes SMART Notebook software	\$4,399	13	\$3,827.13	EA	SMART Board Interactive Display Overlays
	SMART Technologies		SMART Technologies Corporation	SRD-1452	SMART Board interactive display overlay for select 52" large bezel flat panel displays includes SMART Notebook software	SMART Board interactive display overlay for select 52" large bezel flat panel displays includes SMART Notebook software	\$4,399	13	\$3,827.13	EA	SMART Board Interactive Display Overlays
	SMART Technologies		SMART Technologies Corporation	SRD-5452	SMART Board interactive display overlay for select 52" small bezel flat panel displays includes SMART Notebook software	SMART Board interactive display overlay for select 52" small bezel flat panel displays includes SMART Notebook software	\$4,399	13	\$3,827.13	EA	SMART Board Interactive Display Overlays
	SMART Technologies		SMART Technologies Corporation	SRD-1457	SMART Board interactive display overlay for select 57" large bezel flat panel displays includes SMART Notebook software	SMART Board interactive display overlay for select 57" large bezel flat panel displays includes SMART Notebook software	\$4,699	13	\$4,086.13	EA	SMART Board Interactive Display Overlays
	SMART Technologies		SMART Technologies Corporation	SRD-1458	SMART Board interactive display overlay for select 58" large bezel flat panel displays includes SMART Notebook software	SMART Board interactive display overlay for select 58" large bezel flat panel displays includes SMART Notebook software	\$4,699	13	\$4,086.13	EA	SMART Board Interactive Display Overlays
	SMART Technologies		SMART Technologies Corporation	SRD-1461	SMART Board interactive display overlay for select 61" large bezel flat panel displays includes SMART Notebook software	SMART Board interactive display overlay for select 61" large bezel flat panel displays includes SMART Notebook software	\$4,999	13	\$4,349.13	EA	SMART Board Interactive Display Overlays
	SMART Technologies		SMART Technologies Corporation	SRD-1465	SMART Board interactive display overlay for select 65" large bezel flat panel displays includes SMART Notebook software	SMART Board interactive display overlay for select 65" large bezel flat panel displays includes SMART Notebook software	\$4,999	13	\$4,349.13	EA	SMART Board Interactive Display Overlays
	SMART Technologies		SMART Technologies Corporation	SP518-NB	SMART Podium 518 interactive pen display with SMART Notebook software	SMART Podium 518 interactive pen display with SMART Notebook software	\$2,899	13	\$2,522.13	EA	SMART Podium Interactive Pen Displays
	SMART Technologies		SMART Technologies Corporation	SP524-NB	SMART Podium 524 interactive pen display with SMART Notebook software	SMART Podium 524 interactive pen display with SMART Notebook software	\$3,599	13	\$3,131.13	EA	SMART Podium Interactive Pen Displays
	SMART Technologies		SMART Technologies Corporation	SRP-LE-12	SMART Response LE System with Receiver and 12 Remotes	SMART Response LE System with Receiver and 12 Remotes	\$1,499	13	\$1,304.13	EA	SMART Response Interactive Response System
	SMART Technologies		SMART Technologies Corporation	SRP-LE-18	SMART Response LE System with Receiver and 18 Remotes	SMART Response LE System with Receiver and 18 Remotes	\$1,949	13	\$1,695.63	EA	SMART Response Interactive Response System
	SMART Technologies		SMART Technologies Corporation	SRP-LE-24	SMART Response LE System with Receiver and 24 Remotes	SMART Response LE System with Receiver and 24 Remotes	\$2,399	13	\$2,087.13	EA	SMART Response Interactive Response System
	SMART Technologies		SMART Technologies Corporation	SRP-LE-32	SMART Response LE System with Receiver and 32 Remotes	SMART Response LE System with Receiver and 32 Remotes	\$2,999	13	\$2,609.13	EA	SMART Response Interactive Response System
	SMART Technologies		SMART Technologies Corporation	SRP-PE-24	SMART Response PE System with Receiver and 24 Remotes	SMART Response PE System with Receiver and 24 Remotes	\$2,399	13	\$2,087.13	EA	SMART Response Interactive Response System
	SMART Technologies		SMART Technologies Corporation	SRP-PE-32	SMART Response PE System with Receiver and 32 Remotes	SMART Response PE System with Receiver and 32 Remotes	\$2,999	13	\$2,609.13	EA	SMART Response Interactive Response System
	SMART Technologies		SMART Technologies Corporation	SRP-XE-34	SMART Response XE System with Receiver, 24 Remotes	SMART Response XE System with Receiver, 24 Remotes	\$2,699	13	\$2,314.13	EA	SMART Response Interactive Response System
	SMART Technologies		SMART Technologies Corporation	SRP-XE-32	SMART Response XE System with Receiver, 32 Remotes	SMART Response XE System with Receiver, 32 Remotes	\$4,273	13	\$3,712.25	EA	SMART Response Interactive Response System
	SMART Technologies		SMART Technologies Corporation	SRP-XE-40	SMART Response XE System with Receiver, 40 Remotes	SMART Response XE System with Receiver, 40 Remotes	\$4,949	13	\$4,395.68	EA	SMART Response Interactive Response System
	SMART Technologies		SMART Technologies Corporation	SRP-LE-CC	SMART Response LE Carrying Case, SM	SMART Response LE Carrying Case, SM	\$59	13	\$51.13	EA	Accessories, Replacement Parts and Floor Stands
	SMART Technologies		SMART Technologies Corporation	SRP-LE-CC-SM	SMART Response LE Carrying Case, SM	SMART Response LE Carrying Case, SM	\$49	13	\$42.63	EA	Accessories, Replacement Parts and Floor Stands
	SMART Technologies		SMART Technologies Corporation	SRP-LE-RMT-1	SMART Response LE Remote - Set of Five	SMART Response LE Remote - Set of Five	\$119	13	\$103.53	EA	Accessories, Replacement Parts and Floor Stands
	SMART Technologies		SMART Technologies Corporation	SRP-LE-RMT-5	SMART Response LE Remote - Set of Five	SMART Response LE Remote - Set of Five	\$585	13	\$508.95	EA	Accessories, Replacement Parts and Floor Stands
	SMART Technologies		SMART Technologies Corporation	SRP-PE-CC	SMART Response PE Carrying Case	SMART Response PE Carrying Case	\$119	13	\$103.53	EA	Accessories, Replacement Parts and Floor Stands
	SMART Technologies		SMART Technologies Corporation	SRP-PE-RMT-1	SMART Response PE Remote	SMART Response PE Remote	\$59	13	\$51.13	EA	Accessories, Replacement Parts and Floor Stands
	SMART Technologies		SMART Technologies Corporation	SRP-PE-RMT-5	SMART Response PE Remote - Set of Five	SMART Response PE Remote - Set of Five	\$585	13	\$508.95	EA	Accessories, Replacement Parts and Floor Stands
	SMART Technologies		SMART Technologies Corporation	SRP-RCV-1	SMART Response Receiver	SMART Response Receiver	\$599	13	\$521.13	EA	Accessories, Replacement Parts and Floor Stands
	SMART Technologies		SMART Technologies Corporation	SRP-XE-CC	SMART Response XE Carrying Case	SMART Response XE Carrying Case	\$89	13	\$77.43	EA	Accessories, Replacement Parts and Floor Stands
	SMART Technologies		SMART Technologies Corporation	SRP-XE-RMT-1	SMART Response XE Remote	SMART Response XE Remote	\$149	13	\$128.63	EA	Accessories, Replacement Parts and Floor Stands
	SMART Technologies		SMART Technologies Corporation	SRP-XE-RMT-5	SMART Response XE Remote - Set of Five	SMART Response XE Remote - Set of Five	\$735	13	\$639.45	EA	Accessories, Replacement Parts and Floor Stands
	SMART Technologies		SMART Technologies Corporation	WS200-1	WS200 Bundle, SMART Slate and Bluetooth Wireless Adaptor	WS200 Bundle, SMART Slate and Bluetooth Wireless Adaptor	\$439	10	\$395.10	EA	SMART Wireless Slate
	SMART Technologies		SMART Technologies Corporation	SDC-330	SMART Document Camera 330	SMART Document Camera 330	\$949	13	\$823.63	EA	SMART Document Camera
	SMART Technologies		SMART Technologies Corporation	CA5-340	SMART Audio 340 System (no speakers)	SMART Audio 340 System (no speakers)	\$1,199	13	\$1,043.13	EA	SMART Classroom Amplification Systems

Date:	Product Line (S/m)	Qualified Bidder Company (S/m)	Manufacturer SKU	Product Name	Description of Product	Base Price	Discount %	AUP Price	LOM	Category (if applicable)
Tuesday, July 17, 2012	SMART Technologies	SMART Technologies Corporation	CAS-340-C	SMART Audio 340 System (with 4 ceiling speakers)	SMART Audio 340 System (with 4 ceiling speakers)	\$1,399	13	\$1,217.13	EA	SMART Classroom Amplification Systems
	SMART Technologies	SMART Technologies Corporation	CAS-340-W	SMART Audio 340 System (with 4 wall speakers)	SMART Audio 340 System (with 4 wall speakers)	\$1,399	13	\$1,217.13	EA	SMART Classroom Amplification Systems
	SMART Technologies	SMART Technologies Corporation	CAS-300-IRMIC	SMART Audio 340/360 System Wireless Infrared Transmitter Microphone	SMART Audio 340/360 System Wireless Infrared Transmitter Microphone	\$249	13	\$203.63	EA	Accessories, Replacement Parts and Floor Stands
	SMART Technologies	SMART Technologies Corporation	CAS-300-IRSENS	SMART Audio 340/360 System Expansion Infrared Sensor (Includes 4.5m cable)	SMART Audio 340/360 System Expansion Infrared Sensor (Includes 4.5m cable)	\$209	13	\$181.83	EA	Accessories, Replacement Parts and Floor Stands
	SMART Technologies	SMART Technologies Corporation	CAS-CBKIT-INST	SMART Audio System Installation Cable Kit (includes 4x 4.5m speaker cable and 15m CAT5 cable)	SMART Audio System Installation Cable Kit (includes 4x 4.5m speaker cable and 15m CAT5 cable)	\$35	13	\$30.45	EA	Accessories, Replacement Parts and Floor Stands
	SMART Technologies	SMART Technologies Corporation	CAS-HSMIC	SMART Audio System Wired Headset Microphone Accessory	SMART Audio System Wired Headset Microphone Accessory	\$79	13	\$68.73	EA	Accessories, Replacement Parts and Floor Stands
	SMART Technologies	SMART Technologies Corporation	CAS-LVMIC	SMART Audio System Wired Lavaliere Microphone Accessory	SMART Audio System Wired Lavaliere Microphone Accessory	\$35	13	\$30.45	EA	Accessories, Replacement Parts and Floor Stands
	SMART Technologies	SMART Technologies Corporation	CAS-SPRC	SMART Audio System Ceiling Speakers (Qty. 4)	SMART Audio System Ceiling Speakers (Qty. 4)	\$169	13	\$147.03	EA	Accessories, Replacement Parts and Floor Stands
	SMART Technologies	SMART Technologies Corporation	CAS-SPRW	SMART Audio System Wall Speakers (Qty. 4)	SMART Audio System Wall Speakers (Qty. 4)	\$169	13	\$147.03	EA	Accessories, Replacement Parts and Floor Stands
	SMART Technologies	SMART Technologies Corporation	BSS-25	Bridge Server 25 (25 Concurrent Users)	Bridge Server 25 (25 Concurrent Users)	\$749	15	\$637.45	EA	SMART Software
	SMART Technologies	SMART Technologies Corporation	BSS-MAX	Bridge Server MAX (500 Concurrent Users)	Bridge Server MAX (500 Concurrent Users)	\$12,999	15	\$11,049.15	EA	SMART Software
	SMART Technologies	SMART Technologies Corporation	BUP-500	Bridge Server Upgrade (From 25 to 500 concurrent users)	Bridge Server Upgrade (From 25 to 500 concurrent users)	\$5,999	15	\$5,099.15	EA	SMART Software
	SMART Technologies	SMART Technologies Corporation	SCS-011-L	SMART Classroom Suite 2011 - lab, mobile cart, computer-enabled classroom license QTY 1	SMART Classroom Suite 2011 - lab, mobile cart, computer-enabled classroom license QTY 1	\$2,199	15	\$1,869.15	EA	SMART Software
	SMART Technologies	SMART Technologies Corporation	SCS-011-L	SMART Classroom Suite 2011 - lab, mobile cart, computer-enabled classroom license QTY 2-5	SMART Classroom Suite 2011 - lab, mobile cart, computer-enabled classroom license QTY 2-5	\$1,089	15	\$1,090.65	EA	SMART Software
	SMART Technologies	SMART Technologies Corporation	SCS-011-L	SMART Classroom Suite 2011 - lab, mobile cart, computer-enabled classroom license QTY 6-10	SMART Classroom Suite 2011 - lab, mobile cart, computer-enabled classroom license QTY 6-10	\$1,545	15	\$1,313.25	EA	SMART Software
	SMART Technologies	SMART Technologies Corporation	SCS-011-L	SMART Classroom Suite 2011 - lab, mobile cart, computer-enabled classroom license QTY 11-20	SMART Classroom Suite 2011 - lab, mobile cart, computer-enabled classroom license QTY 11-20	\$1,325	15	\$1,126.25	EA	SMART Software
	SMART Technologies	SMART Technologies Corporation	SCS-011-L	SMART Classroom Suite 2011 - lab, mobile cart, computer-enabled classroom license QTY 21-30	SMART Classroom Suite 2011 - lab, mobile cart, computer-enabled classroom license QTY 21-30	\$1,099	15	\$934.15	EA	SMART Software
	SMART Technologies	SMART Technologies Corporation	SCS-011-L	SMART Classroom Suite 2011 - lab, mobile cart, computer-enabled classroom license QTY 31-50	SMART Classroom Suite 2011 - lab, mobile cart, computer-enabled classroom license QTY 31-50	\$895	15	\$845.75	EA	SMART Software
	SMART Technologies	SMART Technologies Corporation	SCS-011-L	SMART Classroom Suite 2011 - lab, mobile cart, computer-enabled classroom license QTY 51-100	SMART Classroom Suite 2011 - lab, mobile cart, computer-enabled classroom license QTY 51-100	\$775	15	\$658.75	EA	SMART Software
	SMART Technologies	SMART Technologies Corporation	SCS-011-L	SMART Classroom Suite 2011 - lab, mobile cart, computer-enabled classroom license QTY 101-499	SMART Classroom Suite 2011 - lab, mobile cart, computer-enabled classroom license QTY 101-499	\$665	15	\$565.25	EA	SMART Software
	SMART Technologies	SMART Technologies Corporation	SCS-011-L	SMART Classroom Suite 2011 - lab, mobile cart, computer-enabled classroom license QTY 500+	SMART Classroom Suite 2011 - lab, mobile cart, computer-enabled classroom license QTY 500+	\$555	15	\$471.75	EA	SMART Software
	SMART Technologies	SMART Technologies Corporation	SCS-011-UL	SMART Classroom Suite 2011 - lab, mobile cart, computer-enabled classroom license (Upgrade) QTY 1	SMART Classroom Suite 2011 - lab, mobile cart, computer-enabled classroom license (Upgrade) QTY 1	\$775	15	\$658.75	EA	SMART Software
	SMART Technologies	SMART Technologies Corporation	SCS-011-UL	SMART Classroom Suite 2011 - lab, mobile cart, computer-enabled classroom license (Upgrade) QTY 2-5	SMART Classroom Suite 2011 - lab, mobile cart, computer-enabled classroom license (Upgrade) QTY 2-5	\$695	15	\$590.75	EA	SMART Software
	SMART Technologies	SMART Technologies Corporation	SCS-011-UL	SMART Classroom Suite 2011 - lab, mobile cart, computer-enabled classroom license (Upgrade) QTY 6-10	SMART Classroom Suite 2011 - lab, mobile cart, computer-enabled classroom license (Upgrade) QTY 6-10	\$839	15	\$458.15	EA	SMART Software
	SMART Technologies	SMART Technologies Corporation	SCS-011-UL	SMART Classroom Suite 2011 - lab, mobile cart, computer-enabled classroom license (Upgrade) QTY 11-20	SMART Classroom Suite 2011 - lab, mobile cart, computer-enabled classroom license (Upgrade) QTY 11-20	\$465	15	\$395.25	EA	SMART Software
	SMART Technologies	SMART Technologies Corporation	SCS-011-UL	SMART Classroom Suite 2011 - lab, mobile cart, computer-enabled classroom license (Upgrade) QTY 21-30	SMART Classroom Suite 2011 - lab, mobile cart, computer-enabled classroom license (Upgrade) QTY 21-30	\$385	15	\$327.25	EA	SMART Software
	SMART Technologies	SMART Technologies Corporation	SCS-011-UL	SMART Classroom Suite 2011 - lab, mobile cart, computer-enabled classroom license (Upgrade) QTY 31-50	SMART Classroom Suite 2011 - lab, mobile cart, computer-enabled classroom license (Upgrade) QTY 31-50	\$349	15	\$296.65	EA	SMART Software
	SMART Technologies	SMART Technologies Corporation	SCS-011-UL	SMART Classroom Suite 2011 - lab, mobile cart, computer-enabled classroom license (Upgrade) QTY 51-100	SMART Classroom Suite 2011 - lab, mobile cart, computer-enabled classroom license (Upgrade) QTY 51-100	\$269	15	\$228.65	EA	SMART Software
	SMART Technologies	SMART Technologies Corporation	SCS-011-UL	SMART Classroom Suite 2011 - lab, mobile cart, computer-enabled classroom license (Upgrade) QTY 101-499	SMART Classroom Suite 2011 - lab, mobile cart, computer-enabled classroom license (Upgrade) QTY 101-499	\$235	15	\$199.75	EA	SMART Software
	SMART Technologies	SMART Technologies Corporation	SCS-011-UL	SMART Classroom Suite 2011 - lab, mobile cart, computer-enabled classroom license (Upgrade) QTY 500+	SMART Classroom Suite 2011 - lab, mobile cart, computer-enabled classroom license (Upgrade) QTY 500+	\$195	15	\$165.75	EA	SMART Software
	SMART Technologies	SMART Technologies Corporation	SS-011-L	SMART Sync 2011 - lab, mobile cart, computer-enabled classroom license QTY 1	SMART Sync 2011 - lab, mobile cart, computer-enabled classroom license QTY 1	\$1,249	15	\$1,061.65	EA	SMART Software
	SMART Technologies	SMART Technologies Corporation	SS-011-L	SMART Sync 2011 - lab, mobile cart, computer-enabled classroom license QTY 2-5	SMART Sync 2011 - lab, mobile cart, computer-enabled classroom license QTY 2-5	\$1,125	15	\$956.25	EA	SMART Software
	SMART Technologies	SMART Technologies Corporation	SS-011-L	SMART Sync 2011 - lab, mobile cart, computer-enabled classroom license QTY 6-10	SMART Sync 2011 - lab, mobile cart, computer-enabled classroom license QTY 6-10	\$875	15	\$742.75	EA	SMART Software
	SMART Technologies	SMART Technologies Corporation	SS-011-L	SMART Sync 2011 - lab, mobile cart, computer-enabled classroom license QTY 11-20	SMART Sync 2011 - lab, mobile cart, computer-enabled classroom license QTY 11-20	\$749	15	\$636.65	EA	SMART Software
	SMART Technologies	SMART Technologies Corporation	SS-011-L	SMART Sync 2011 - lab, mobile cart, computer-enabled classroom license QTY 21-30	SMART Sync 2011 - lab, mobile cart, computer-enabled classroom license QTY 21-30	\$625	15	\$531.25	EA	SMART Software
	SMART Technologies	SMART Technologies Corporation	SS-011-L	SMART Sync 2011 - lab, mobile cart, computer-enabled classroom license QTY 31-50	SMART Sync 2011 - lab, mobile cart, computer-enabled classroom license QTY 31-50	\$565	15	\$480.25	EA	SMART Software
	SMART Technologies	SMART Technologies Corporation	SS-011-L	SMART Sync 2011 - lab, mobile cart, computer-enabled classroom license QTY 51-100	SMART Sync 2011 - lab, mobile cart, computer-enabled classroom license QTY 51-100	\$439	15	\$373.15	EA	SMART Software
	SMART Technologies	SMART Technologies Corporation	SS-011-L	SMART Sync 2011 - lab, mobile cart, computer-enabled classroom license QTY 101-499	SMART Sync 2011 - lab, mobile cart, computer-enabled classroom license QTY 101-499	\$375	15	\$318.75	EA	SMART Software
	SMART Technologies	SMART Technologies Corporation	SS-011-L	SMART Sync 2011 - lab, mobile cart, computer-enabled classroom license QTY 500+	SMART Sync 2011 - lab, mobile cart, computer-enabled classroom license QTY 500+	\$315	15	\$267.75	EA	SMART Software
	SMART Technologies	SMART Technologies Corporation	SS-011-UL	SMART Sync 2011 - lab, mobile cart, computer-enabled classroom license (Upgrade) QTY 1	SMART Sync 2011 - lab, mobile cart, computer-enabled classroom license (Upgrade) QTY 1	\$439	15	\$373.15	EA	SMART Software
	SMART Technologies	SMART Technologies Corporation	SS-011-UL	SMART Sync 2011 - lab, mobile cart, computer-enabled classroom license (Upgrade) QTY 2-5	SMART Sync 2011 - lab, mobile cart, computer-enabled classroom license (Upgrade) QTY 2-5	\$395	15	\$335.75	EA	SMART Software
	SMART Technologies	SMART Technologies Corporation	SS-011-UL	SMART Sync 2011 - lab, mobile cart, computer-enabled classroom license (Upgrade) QTY 6-10	SMART Sync 2011 - lab, mobile cart, computer-enabled classroom license (Upgrade) QTY 6-10	\$299	15	\$254.15	EA	SMART Software
	SMART Technologies	SMART Technologies Corporation	SS-011-UL	SMART Sync 2011 - lab, mobile cart, computer-enabled classroom license (Upgrade) QTY 11-20	SMART Sync 2011 - lab, mobile cart, computer-enabled classroom license (Upgrade) QTY 11-20	\$265	15	\$225.25	EA	SMART Software
	SMART Technologies	SMART Technologies Corporation	SS-011-UL	SMART Sync 2011 - lab, mobile cart, computer-enabled classroom license (Upgrade) QTY 21-30	SMART Sync 2011 - lab, mobile cart, computer-enabled classroom license (Upgrade) QTY 21-30	\$219	15	\$186.15	EA	SMART Software
	SMART Technologies	SMART Technologies Corporation	SS-011-UL	SMART Sync 2011 - lab, mobile cart, computer-enabled classroom license (Upgrade) QTY 31-50	SMART Sync 2011 - lab, mobile cart, computer-enabled classroom license (Upgrade) QTY 31-50	\$199	15	\$169.15	EA	SMART Software

Date: Tuesday, July 17, 2012

Product Line (S/imp)	Qualified Bidder (S/imp)	Manufacturer SKU	Product Name	Description of Product	Base Price	Discount %	AUP Price	Low	Category (if applicable)
SMART Technologies	SMART Technologies Corporation	SS-011-UL	SMART Sync 2011 - lab, mobile cart, computer-enabled classroom license (Upgrade) QTY 51-100	SMART Sync 2011 - lab, mobile cart, computer-enabled classroom license (Upgrade) QTY 51-100	\$155	15	\$131.75	EA	SMART Software
SMART Technologies	SMART Technologies Corporation	SS-011-UL	SMART Sync 2011 - lab, mobile cart, computer-enabled classroom license (Upgrade) QTY 101-499	SMART Sync 2011 - lab, mobile cart, computer-enabled classroom license (Upgrade) QTY 101-499	\$129	15	\$109.65	EA	SMART Software
SMART Technologies	SMART Technologies Corporation	SS-011-UL	SMART Sync 2011 - lab, mobile cart, computer-enabled classroom license (Upgrade) QTY 500+	SMART Sync 2011 - lab, mobile cart, computer-enabled classroom license (Upgrade) QTY 500+	\$115	15	\$97.75	EA	SMART Software
SMART Technologies	SMART Technologies Corporation	SRP-CE-L	SMART Response CE Bundle (NB, NBSE, Response CE) - teacher computer license QTY 1	SMART Response CE Bundle (NB, NBSE, Response CE) - teacher computer license QTY 1	\$1,599	15	\$1,359.15	EA	SMART Software
SMART Technologies	SMART Technologies Corporation	SRP-CE-L	SMART Response CE Bundle (NB, NBSE, Response CE) - teacher computer license QTY 2-5	SMART Response CE Bundle (NB, NBSE, Response CE) - teacher computer license QTY 2-5	\$1,439	15	\$1,223.15	EA	SMART Software
SMART Technologies	SMART Technologies Corporation	SRP-CE-L	SMART Response CE Bundle (NB, NBSE, Response CE) - teacher computer license QTY 6-10	SMART Response CE Bundle (NB, NBSE, Response CE) - teacher computer license QTY 6-10	\$1,119	15	\$951.15	EA	SMART Software
SMART Technologies	SMART Technologies Corporation	SRP-CE-L	SMART Response CE Bundle (NB, NBSE, Response CE) - teacher computer license QTY 11-20	SMART Response CE Bundle (NB, NBSE, Response CE) - teacher computer license QTY 11-20	\$959	15	\$815.15	EA	SMART Software
SMART Technologies	SMART Technologies Corporation	SRP-CE-L	SMART Response CE Bundle (NB, NBSE, Response CE) - teacher computer license QTY 21-30	SMART Response CE Bundle (NB, NBSE, Response CE) - teacher computer license QTY 21-30	\$799	15	\$679.15	EA	SMART Software
SMART Technologies	SMART Technologies Corporation	SRP-CE-L	SMART Response CE Bundle (NB, NBSE, Response CE) - teacher computer license QTY 31-50	SMART Response CE Bundle (NB, NBSE, Response CE) - teacher computer license QTY 31-50	\$719	15	\$611.15	EA	SMART Software
SMART Technologies	SMART Technologies Corporation	SRP-CE-L	SMART Response CE Bundle (NB, NBSE, Response CE) - teacher computer license QTY 51-100	SMART Response CE Bundle (NB, NBSE, Response CE) - teacher computer license QTY 51-100	\$559	15	\$475.15	EA	SMART Software
SMART Technologies	SMART Technologies Corporation	SRP-CE-L	SMART Response CE Bundle (NB, NBSE, Response CE) - teacher computer license QTY 101-499	SMART Response CE Bundle (NB, NBSE, Response CE) - teacher computer license QTY 101-499	\$479	15	\$407.15	EA	SMART Software
SMART Technologies	SMART Technologies Corporation	SRP-CE-L	SMART Response CE Bundle (NB, NBSE, Response CE) - teacher computer license QTY 500+	SMART Response CE Bundle (NB, NBSE, Response CE) - teacher computer license QTY 500+	\$399	15	\$339.15	EA	SMART Software
SMART Technologies	SMART Technologies Corporation	SRP-VEL	SMART Response VE - lab, mobile cart, computer-enabled classroom license (1 yr subscription) QTY 1	SMART Response VE - lab, mobile cart, computer-enabled classroom license (1 yr subscription) QTY 1	\$659	15	\$560.15	EA	SMART Software
SMART Technologies	SMART Technologies Corporation	SRP-VEL	SMART Response VE - lab, mobile cart, computer-enabled classroom license (1 yr subscription) QTY 2-5	SMART Response VE - lab, mobile cart, computer-enabled classroom license (1 yr subscription) QTY 2-5	\$595	15	\$505.75	EA	SMART Software
SMART Technologies	SMART Technologies Corporation	SRP-VEL	SMART Response VE - lab, mobile cart, computer-enabled classroom license (1 yr subscription) QTY 6-10	SMART Response VE - lab, mobile cart, computer-enabled classroom license (1 yr subscription) QTY 6-10	\$465	15	\$395.25	EA	SMART Software
SMART Technologies	SMART Technologies Corporation	SRP-VEL	SMART Response VE - lab, mobile cart, computer-enabled classroom license (1 yr subscription) QTY 11-20	SMART Response VE - lab, mobile cart, computer-enabled classroom license (1 yr subscription) QTY 11-20	\$395	15	\$335.75	EA	SMART Software
SMART Technologies	SMART Technologies Corporation	SRP-VEL	SMART Response VE - lab, mobile cart, computer-enabled classroom license (1 yr subscription) QTY 21-30	SMART Response VE - lab, mobile cart, computer-enabled classroom license (1 yr subscription) QTY 21-30	\$329	15	\$279.65	EA	SMART Software
SMART Technologies	SMART Technologies Corporation	SRP-VEL	SMART Response VE - lab, mobile cart, computer-enabled classroom license (1 yr subscription) QTY 31-50	SMART Response VE - lab, mobile cart, computer-enabled classroom license (1 yr subscription) QTY 31-50	\$299	15	\$254.15	EA	SMART Software
SMART Technologies	SMART Technologies Corporation	SRP-VEL	SMART Response VE - lab, mobile cart, computer-enabled classroom license (1 yr subscription) QTY 51-100	SMART Response VE - lab, mobile cart, computer-enabled classroom license (1 yr subscription) QTY 51-100	\$229	15	\$194.65	EA	SMART Software
SMART Technologies	SMART Technologies Corporation	SRP-VEL	SMART Response VE - lab, mobile cart, computer-enabled classroom license (1 yr subscription) QTY 101-499	SMART Response VE - lab, mobile cart, computer-enabled classroom license (1 yr subscription) QTY 101-499	\$199	15	\$169.15	EA	SMART Software
SMART Technologies	SMART Technologies Corporation	SRP-VEL	SMART Response VE - lab, mobile cart, computer-enabled classroom license (1 yr subscription) QTY 500+	SMART Response VE - lab, mobile cart, computer-enabled classroom license (1 yr subscription) QTY 500+	\$165	15	\$140.25	EA	SMART Software
SMART Technologies	SMART Technologies Corporation	SI-300-L	SMART Ideas Individual License QTY 1-4	SMART Ideas Individual License QTY 1-4	\$129	15	\$109.65	EA	SMART Software
SMART Technologies	SMART Technologies Corporation	SI-300-L	SMART Ideas Individual License QTY 5-9	SMART Ideas Individual License QTY 5-9	\$125	15	\$106.25	EA	SMART Software
SMART Technologies	SMART Technologies Corporation	SI-300-L	SMART Ideas Individual License QTY 10-19	SMART Ideas Individual License QTY 10-19	\$110	15	\$93.50	EA	SMART Software
SMART Technologies	SMART Technologies Corporation	SI-300-L	SMART Ideas Individual License QTY 20-49	SMART Ideas Individual License QTY 20-49	\$89	15	\$75.65	EA	SMART Software
SMART Technologies	SMART Technologies Corporation	SI-300-L	SMART Ideas Individual License QTY 50-99	SMART Ideas Individual License QTY 50-99	\$69	15	\$58.65	EA	SMART Software
SMART Technologies	SMART Technologies Corporation	SI-300-L	SMART Ideas Individual License QTY 100+	SMART Ideas Individual License QTY 100+	\$65	15	\$55.25	EA	SMART Software
SMART Technologies	SMART Technologies Corporation	SI-300-S	SMART Ideas School License - Unlimited installs for a K-12 School	SMART Ideas School License - Unlimited installs for a K-12 School	\$5,555	15	\$4,721.75	EA	SMART Software
SMART Technologies	SMART Technologies Corporation	NBSE-2009-LI	SMART Notebook SE Single Individual Software License QTY 1-10	SMART Notebook SE Single Individual Software License QTY 1-10	\$55	15	\$46.75	EA	SMART Software
SMART Technologies	SMART Technologies Corporation	NBSE-2009-LI	SMART Notebook SE Single Individual Software License QTY 11-40	SMART Notebook SE Single Individual Software License QTY 11-40	\$28	15	\$23.80	EA	SMART Software
SMART Technologies	SMART Technologies Corporation	NBSE-2009-LI	SMART Notebook SE Single Individual Software License QTY 41-99	SMART Notebook SE Single Individual Software License QTY 41-99	\$19	15	\$16.15	EA	SMART Software
SMART Technologies	SMART Technologies Corporation	NBSE-2009-LI	SMART Notebook SE Single Individual Software License QTY 200-399	SMART Notebook SE Single Individual Software License QTY 200-399	\$17	15	\$14.45	EA	SMART Software
SMART Technologies	SMART Technologies Corporation	NBSE-2009-LI	SMART Notebook SE Single Individual Software License QTY 400-599	SMART Notebook SE Single Individual Software License QTY 400-599	\$14	15	\$11.90	EA	SMART Software
SMART Technologies	SMART Technologies Corporation	NBSE-2009-LI	SMART Notebook SE Single Individual Software License QTY 600+	SMART Notebook SE Single Individual Software License QTY 600+	\$11	15	\$9.35	EA	SMART Software
SMART Technologies	SMART Technologies Corporation	NBMT-100-LI	SMART Notebook Math Tools - Single License QTY 1	SMART Notebook Math Tools - Single License QTY 1	\$198	15	\$168.15	EA	SMART Software
SMART Technologies	SMART Technologies Corporation	NBMT-100-LI	SMART Notebook Math Tools - Single License QTY 2-5	SMART Notebook Math Tools - Single License QTY 2-5	\$189	15	\$160.65	EA	SMART Software
SMART Technologies	SMART Technologies Corporation	NBMT-100-LI	SMART Notebook Math Tools - Single License QTY 6-10	SMART Notebook Math Tools - Single License QTY 6-10	\$169	15	\$143.65	EA	SMART Software
SMART Technologies	SMART Technologies Corporation	NBMT-100-LI	SMART Notebook Math Tools - Single License QTY 11-20	SMART Notebook Math Tools - Single License QTY 11-20	\$149	15	\$126.65	EA	SMART Software
SMART Technologies	SMART Technologies Corporation	NBMT-100-LI	SMART Notebook Math Tools - Single License QTY 21-30	SMART Notebook Math Tools - Single License QTY 21-30	\$129	15	\$109.65	EA	SMART Software
SMART Technologies	SMART Technologies Corporation	NBMT-100-LI	SMART Notebook Math Tools - Single License QTY 31-50	SMART Notebook Math Tools - Single License QTY 31-50	\$119	15	\$101.15	EA	SMART Software
SMART Technologies	SMART Technologies Corporation	NBMT-100-LI	SMART Notebook Math Tools - Single License QTY 51-100	SMART Notebook Math Tools - Single License QTY 51-100	\$109	15	\$92.65	EA	SMART Software
SMART Technologies	SMART Technologies Corporation	NBMT-100-LI	SMART Notebook Math Tools - Single License QTY 101-499	SMART Notebook Math Tools - Single License QTY 101-499	\$89	15	\$75.65	EA	SMART Software
SMART Technologies	SMART Technologies Corporation	NBMT-100-LI	SMART Notebook Math Tools - Single License QTY 500+	SMART Notebook Math Tools - Single License QTY 500+	\$79	15	\$67.15	EA	SMART Software
SMART Technologies	SMART Technologies Corporation	NB30-100	SMART Notebook 3D Tools QTY 1	SMART Notebook 3D Tools QTY 1	\$69	15	\$58.65	EA	SMART Software
SMART Technologies	SMART Technologies Corporation	NB30-100	SMART Notebook 3D Tools QTY 2-5	SMART Notebook 3D Tools QTY 2-5	\$66	15	\$56.10	EA	SMART Software
SMART Technologies	SMART Technologies Corporation	NB30-100	SMART Notebook 3D Tools QTY 6-10	SMART Notebook 3D Tools QTY 6-10	\$59	15	\$50.15	EA	SMART Software
SMART Technologies	SMART Technologies Corporation	NB30-100	SMART Notebook 3D Tools QTY 11-20	SMART Notebook 3D Tools QTY 11-20	\$52	15	\$44.20	EA	SMART Software
SMART Technologies	SMART Technologies Corporation	NB30-100	SMART Notebook 3D Tools QTY 21-30	SMART Notebook 3D Tools QTY 21-30	\$45	15	\$38.25	EA	SMART Software
SMART Technologies	SMART Technologies Corporation	NB30-100	SMART Notebook 3D Tools QTY 31-50	SMART Notebook 3D Tools QTY 31-50	\$41	15	\$34.85	EA	SMART Software
SMART Technologies	SMART Technologies Corporation	NB30-100	SMART Notebook 3D Tools QTY 51-100	SMART Notebook 3D Tools QTY 51-100	\$32	15	\$27.40	EA	SMART Software
SMART Technologies	SMART Technologies Corporation	NB30-100	SMART Notebook 3D Tools QTY 101-499	SMART Notebook 3D Tools QTY 101-499	\$23	15	\$20.35	EA	SMART Software
SMART Technologies	SMART Technologies Corporation	NB30-100	SMART Notebook 3D Tools QTY 500+	SMART Notebook 3D Tools QTY 500+	\$23	15	\$20.35	EA	SMART Software
SMART Technologies	SMART Technologies Corporation	HCFC-LI	Corofocus K-1 Math and Literacy Bundle QTY 1	Corofocus K-1 Math and Literacy Bundle QTY 1	\$3,089	15	\$2,626.65	EA	SMART Software
SMART Technologies	SMART Technologies Corporation	HCFC-LI	Corofocus K-1 Math and Literacy Bundle QTY 2-5	Corofocus K-1 Math and Literacy Bundle QTY 2-5	\$3,089	15	\$2,626.65	EA	SMART Software

Date: Tuesday, July 17, 2012

Product Line (S/ma)	Qualified Bidder Company (S/ma)	Manufacturer SKU	Product Name	Description of Product	Base Price	Discount %	AUP Price	LoM	Category (if applicable)
SMART Technologies	SMART Technologies Corporation	HCF-KCL	CoreFocus K1 Math and Literacy Bundle QTY 6-10	CoreFocus K1 Math and Literacy Bundle QTY 6-10	\$2,915	15	\$2,477.25	EA	SMART Software
SMART Technologies	SMART Technologies Corporation	HCF-KCL	CoreFocus K1 Math and Literacy Bundle QTY 11-20	CoreFocus K1 Math and Literacy Bundle QTY 11-20	\$2,765	15	\$2,350.25	EA	SMART Software
SMART Technologies	SMART Technologies Corporation	HCF-KCL	CoreFocus K1 Math and Literacy Bundle QTY 21-30	CoreFocus K1 Math and Literacy Bundle QTY 21-30	\$2,690	15	\$2,290.5	EA	SMART Software
SMART Technologies	SMART Technologies Corporation	HCF-KCL	CoreFocus K1 Math and Literacy Bundle QTY 31-50	CoreFocus K1 Math and Literacy Bundle QTY 31-50	\$2,465	15	\$2,096.25	EA	SMART Software
SMART Technologies	SMART Technologies Corporation	HCF-KCL	CoreFocus K1 Math and Literacy Bundle QTY 51-100	CoreFocus K1 Math and Literacy Bundle QTY 51-100	\$1,848	15	\$1,570.65	EA	SMART Software
SMART Technologies	SMART Technologies Corporation	HCF-KCL	CoreFocus K1 Math and Literacy Bundle QTY 101-499	CoreFocus K1 Math and Literacy Bundle QTY 101-499	\$1,633	15	\$1,388.05	EA	SMART Software
SMART Technologies	SMART Technologies Corporation	HCF-KCL	CoreFocus K1 Math and Literacy Bundle QTY 500+	CoreFocus K1 Math and Literacy Bundle QTY 500+	\$1,229	15	\$1,044.65	EA	SMART Software
SMART Technologies	SMART Technologies Corporation	SV-MR-V	SMART Vantage Manage & Report (1 Yr Subscription) QTY 1	SMART Vantage Manage & Report (1 Yr Subscription) QTY 1	\$75	15	\$63.75	EA	SMART Software
SMART Technologies	SMART Technologies Corporation	SV-MR-V	SMART Vantage Manage & Report (1 Yr Subscription) QTY 2-5	SMART Vantage Manage & Report (1 Yr Subscription) QTY 2-5	\$75	15	\$63.75	EA	SMART Software
SMART Technologies	SMART Technologies Corporation	SV-MR-V	SMART Vantage Manage & Report (1 Yr Subscription) QTY 6-10	SMART Vantage Manage & Report (1 Yr Subscription) QTY 6-10	\$75	15	\$63.75	EA	SMART Software
SMART Technologies	SMART Technologies Corporation	SV-MR-V	SMART Vantage Manage & Report (1 Yr Subscription) QTY 11-20	SMART Vantage Manage & Report (1 Yr Subscription) QTY 11-20	\$68	15	\$57.80	EA	SMART Software
SMART Technologies	SMART Technologies Corporation	SV-MR-V	SMART Vantage Manage & Report (1 Yr Subscription) QTY 21-30	SMART Vantage Manage & Report (1 Yr Subscription) QTY 21-30	\$64	15	\$54.40	EA	SMART Software
SMART Technologies	SMART Technologies Corporation	SV-MR-V	SMART Vantage Manage & Report (1 Yr Subscription) QTY 31-50	SMART Vantage Manage & Report (1 Yr Subscription) QTY 31-50	\$60	15	\$51.00	EA	SMART Software
SMART Technologies	SMART Technologies Corporation	SV-MR-V	SMART Vantage Manage & Report (1 Yr Subscription) QTY 51-100	SMART Vantage Manage & Report (1 Yr Subscription) QTY 51-100	\$56	15	\$47.60	EA	SMART Software
SMART Technologies	SMART Technologies Corporation	SV-MR-V	SMART Vantage Manage & Report (1 Yr Subscription) QTY 101-499	SMART Vantage Manage & Report (1 Yr Subscription) QTY 101-499	\$53	15	\$45.05	EA	SMART Software
SMART Technologies	SMART Technologies Corporation	SV-MR-V	SMART Vantage Manage & Report (1 Yr Subscription) QTY 500+	SMART Vantage Manage & Report (1 Yr Subscription) QTY 500+	\$45	15	\$38.25	EA	SMART Software
SMART Technologies	SMART Technologies Corporation	EW2-LJ60	2 Year Extended Warranty for LJ60 Projector	2 Year Extended Warranty for LJ60 Projector	\$899	0	\$899.00	EA	Warranty
SMART Technologies	SMART Technologies Corporation	EW2-LJ65	2 Year Extended Warranty for LJ65 Projector	2 Year Extended Warranty for LJ65 Projector	\$249	0	\$249.00	EA	Warranty
SMART Technologies	SMART Technologies Corporation	EW2-LJ65M	2 Year Extended Warranty for LJ65M Projector	2 Year Extended Warranty for LJ65M Projector	\$249	0	\$249.00	EA	Warranty
SMART Technologies	SMART Technologies Corporation	EW2-LJ75	2 Year Extended Warranty for LJ75 Projector	2 Year Extended Warranty for LJ75 Projector	\$299	0	\$299.00	EA	Warranty
SMART Technologies	SMART Technologies Corporation	EW2-LJ75M	2 Year Extended Warranty for LJ75M Projector	2 Year Extended Warranty for LJ75M Projector	\$299	0	\$299.00	EA	Warranty
SMART Technologies	SMART Technologies Corporation	EW3-VZ5	3 Year Extended Warranty for VZ5 Projector	3 Year Extended Warranty for VZ5 Projector	\$199	0	\$199.00	EA	Warranty
SMART Technologies	SMART Technologies Corporation	EW3-SB480	3 Year Extended Warranty for SB480 interactive whiteboard	3 Year Extended Warranty for SB480 interactive whiteboard	\$129	0	\$129.00	EA	Warranty
SMART Technologies	SMART Technologies Corporation	EW3-SRP-LE-12	3 Year Extended Warranty for Response LE12	3 Year Extended Warranty for Response LE12	\$99	0	\$99.00	EA	Warranty
SMART Technologies	SMART Technologies Corporation	EW3-SRP-LE-18	3 Year Extended Warranty for Response LE18	3 Year Extended Warranty for Response LE18	\$129	0	\$129.00	EA	Warranty
SMART Technologies	SMART Technologies Corporation	EW3-SRP-LE-24	3 Year Extended Warranty for Response LE24	3 Year Extended Warranty for Response LE24	\$159	0	\$159.00	EA	Warranty
SMART Technologies	SMART Technologies Corporation	EW3-SRP-LE-32	3 Year Extended Warranty for Response LE32	3 Year Extended Warranty for Response LE32	\$199	0	\$199.00	EA	Warranty
SMART Technologies	SMART Technologies Corporation	EW3-SRP-PE-24	3 Year Extended Warranty for Response PE24	3 Year Extended Warranty for Response PE24	\$159	0	\$159.00	EA	Warranty
SMART Technologies	SMART Technologies Corporation	EW3-SRP-PE-32	3 Year Extended Warranty for Response PE32	3 Year Extended Warranty for Response PE32	\$199	0	\$199.00	EA	Warranty
SMART Technologies	SMART Technologies Corporation	EW3-SRP-XE-24	3 Year Extended Warranty for Response XE24	3 Year Extended Warranty for Response XE24	\$239	0	\$239.00	EA	Warranty
SMART Technologies	SMART Technologies Corporation	EW3-SRP-XE-32	3 Year Extended Warranty for Response XE32	3 Year Extended Warranty for Response XE32	\$279	0	\$279.00	EA	Warranty
SMART Technologies	SMART Technologies Corporation	EW3-SRP-XE-40	3 Year Extended Warranty for Response XE40	3 Year Extended Warranty for Response XE40	\$329	0	\$329.00	EA	Warranty
SMART Technologies	SMART Technologies Corporation	EW3-W5200	3 Year Extended Warranty for W5200 Wireless Slate	3 Year Extended Warranty for W5200 Wireless Slate	\$55	0	\$55.00	EA	Warranty
SMART Technologies	SMART Technologies Corporation	EW3-SP518	3 Year Extended Warranty for Podium SP518	3 Year Extended Warranty for Podium SP518	\$309	0	\$309.00	EA	Warranty
SMART Technologies	SMART Technologies Corporation	EW3-SP524	3 Year Extended Warranty for Podium SP524	3 Year Extended Warranty for Podium SP524	\$379	0	\$379.00	EA	Warranty
SMART Technologies	SMART Technologies Corporation	EW4-SBA	4 Year Extended Warranty for USB Audio	4 Year Extended Warranty for USB Audio	\$45	0	\$45.00	EA	Warranty
SMART Technologies	SMART Technologies Corporation	EW2-SLR40WI	2 Year Extended Warranty for SLR40WI Projector	2 Year Extended Warranty for SLR40WI Projector	\$399	0	\$399.00	EA	Warranty
SMART Technologies	SMART Technologies Corporation	2 MAN DELIVERY	2 Man Delivery Services	2 Man Delivery Services	\$225	0	\$225.00	EA	Shipping Services
SMART Technologies	SMART Technologies Corporation	LIFT GATE	Lift Gate Services	Lift Gate Services	\$100	0	\$100.00	EA	Shipping Services

**SMART Technologies Corporation MSRP Price List**  
**(As of July 2, 2012)**

**Qty**  
**(EA)**      **MSRP**  
**(USD)**

**SMART Board Interactive Whiteboards**

**48" SMART Board**

SB640	SMART Board 640	1	\$1,099
SB640CT	SB640 with Table Stand and Carrying Bag	1	\$1,299

**64" SMART Board**

SB660	SMART Board 660	1	\$1,759
-------	-----------------	---	---------

**77" SMART Board**

SB480	SMART Board 480	1	\$1,959
SB680	SMART Board 680	1	\$2,199
SBX880	SMART Board X880	1	\$3,099

**87" SMART Board**

SB685	SMART Board 685	1	\$2,799
SBX885	SMART Board X885	1	\$3,599

**94" SMART Board**

SB690	SMART Board 690	1	\$3,199
-------	-----------------	---	---------

**SMART Board with UF Projector**

SB480iv	SMART Board 480 with V25 Projector	1	\$3,819
SB660i4	SMART Board 660 with UF65 projector	1	\$3,899
SB660i5	SMART Board 660 with UF75 projector	1	\$4,599
SB680i4	SMART Board 680 with UF65 projector	1	\$4,199
SB680i5	SMART Board 680 with UF75 projector	1	\$4,899
SB685i4	SMART Board 685 with UF65w projector	1	\$4,899
SB685i5	SMART Board 685 with UF75w projector	1	\$5,599
SB685ix	SMART Board 685 with UX60 projector	1	\$6,199
SB690i5	SMART Board 690 with UF75w projector	1	\$5,799
SBX880i4	SMART Board X880 with UF65 Projector	1	\$4,999
SBX880i5	SMART Board X880 with UF75 Projector	1	\$5,299
SBX885i4	SMART Board X885 with UF65w Projector	1	\$5,699
SBX885i5	SMART Board X885 with UF75w Projector	1	\$5,999
SBX885ix	SMART Board X885 with UX60 Projector	1	\$6,599

**SMART Interactive Projector**

SLR40wi	LightRaise 40wi interactive projector	1	\$2,199
---------	---------------------------------------	---	---------



**SMART Technologies Corporation MSRP Price List**  
**(As of July 2, 2012)**

**Qty**  
**(EA)**      **MSRP**  
**(USD)**

**SMART Board Interactive Whiteboards (Cont'd)**

**Projector Retrofit Kits**

UF65-SB600	UF65 Projector Retrofit Kit for SB660 and SB680 Boards	1	\$2,399
UF65-SB800	UF65 Projector Retrofit Kit for SB880 Boards	1	\$2,399
UF65w-SB600	UF65w Projector Retrofit Kit for SB685 Boards	1	\$2,549
UF65w-SB800	UF65w Projector Retrofit Kit for SB885 Boards	1	\$2,549
UF75-SB600	UF75 Projector Retrofit Kit for SB660 and SB680 Boards	1	\$2,999
UF75-SB800	UF75 Projector Retrofit Kit for SB880 Boards	1	\$2,999
UF75w-SB600	UF75w Projector Retrofit Kit for SB685 and SB690 Boards	1	\$3,199
UF75w-SB800	UF75w Projector Retrofit Kit for SB885 Boards	1	\$3,199
UX60-SB600	UX60 Projector Retrofit Kit for SB685 Boards	1	\$3,999
UX60-SB800	UX60 Projector Retrofit Kit for SB885 Boards	1	\$3,999

**Floor Stands**

FS-SB	Mobile Floor Stand for 77" to 87" Smart Board Interactive Whiteboards	1	\$499
FS-SB660	Mobile Floor Stand for SB660 SMART Board Interactive Whiteboards	1	\$499
FS-UX	Mobile Height-adjustable Floor Stand for UX projector systems	1	\$1,399

**Optional Accessories**

CAT5-XT-1100	CAT 5 to USB Extender, CAT5 Cable not included	1	\$99
CB6	Firm-Sided Carrying Bag for SB640CT	1	\$249
CBJ-640	Padded Carrying Bag for SB640 and TS640 (SB640 and TS640 not included)	1	\$265
CCJ-660	Padded Cover with Handles for SB660	1	\$200
CCJ-680	Padded Cover with Handles for SB680	1	\$220
FS-UX-LTS	Laptop Shelf for FS-UX systems	1	\$149
GW-NBK	SMART GoWire auto-launch cable with SMART Notebook	1	\$149
HAWM-UX/UF	Height-adjustable Wall Mount for UX/UF projector systems	1	\$799
HSCJ-640	Hard Shipping Case for SB640 and TS640 (SB640 and TS640 not included)	1	\$1,125
HSCJ-660	Hard Shipping Case for SB660 and FS670	1	\$1,330
HSCJ-680	Hard Shipping Case for SB680 and FS670	1	\$1,660
PMWT-660	Projector Wall Mount for SB660 and NEC WT600 or WT610 (Projector Not Included)	1	\$599
PMWT-680	Projector Wall Mount for SB680 and NEC WT600 or WT610 (Projector Not Included)	1	\$599
RS232	RS232 Serial Connection for SMART Board 600 series	1	\$100
SBA	USB Audio system for SMART Board 600 and 800 series without a SMART projector	1	\$299
SBA-L	Projection Audio System for SMART Board 600 and 800 series with a SMART projector	1	\$299
SBX800 CAT5-XT	Cat 5 to USB Extender for SMART Board X800 Series Interactive Whiteboard	1	\$99
SBX8-CTRL	SBX8 Series Control Cable	1	\$29
SPT	SMART Pointers -Set of Four	1	\$25
SYSON6	SystemOn Module for SMART Board 600 series	1	\$100
TS640	Table Stand for SB640	1	\$99
UF55-RFK-500	Parts kit for SMART Board 560 and 580 Interactive Whiteboards and UF55 Projectors	1	\$39
USB-XT	USB active extension cable 16' (5 m)	1	\$20
WC6D	Wireless Bluetooth Connection for Single and Dual touch SMART Board 600 series	1	\$199
WC8	Wireless Connection for SMART Board X800 Series Interactive Whiteboard	1	\$199

**SMART Technologies Corporation MSRP Price List  
(As of July 2, 2012)**

**Qty  
(EA)**      **MSRP  
(USD)**

**SMART Board Interactive Whiteboards (Cont'd)**

**Replacement Parts**

01-00228	Replacement Lamp A for Unifi 35 Projector	1-24	<b>\$379</b>
		25-49	<b>\$339</b>
		50+	<b>\$325</b>
01-00247	Replacement Lamp for Unifi 45 Projector	1-24	<b>\$299</b>
		25-49	<b>\$269</b>
		50+	<b>\$255</b>
20-01032-20	Replacement Lamp for UF55, UF55w, UF65, UF65w and ST230i Projectors	1-24	<b>\$179</b>
		25-49	<b>\$159</b>
		50+	<b>\$155</b>
20-01175-20	Replacement Lamp for UX60 Projector	1-24	<b>\$249</b>
		25-49	<b>\$225</b>
		50+	<b>\$215</b>
20-01500-20	Replacement Lamp for V25 Projectors	1-24	<b>\$159</b>
		25-49	<b>\$145</b>
		50+	<b>\$135</b>
20-01501-20	Replacement Lamp for UF75, UF75w and SLR40wi Projectors	1-24	<b>\$199</b>
		25-49	<b>\$179</b>
		50+	<b>\$169</b>
RPEN	Replacement Pens - Set of Four (Black, Red, Blue, Green)	1	<b>\$10</b>
RPEN-ER	Replacement Pens and Eraser - Set of Four (Black, Red, Blue, Green)	1	<b>\$15</b>
RPEN-ER-SBX8	Replacement Pens and Eraser for SMART Board X800 Series - Set of Two Pens	1	<b>\$25</b>
RPEN-SBX8	Replacement Pens for SMART Board X800 Series - Set of Two	1	<b>\$20</b>
RPEN-SLR40	Replacement Pens for LightRaise 40wi interactive projector	1	<b>\$129</b>

**SMART Technologies Corporation MSRP Price List**  
**(As of July 2, 2012)**

**Qty**  
**(EA)**

**MSRP**  
**(USD)**

---

**SMART Table**

**SMART Table**

---

ST230i	SMART Table 230i interactive learning center	1	<b>\$7,999</b>
--------	--	---	----------------

**SMART Technologies Corporation MSRP Price List**  
**(As of July 2, 2012)**

**Qty**  
**(EA)**

**MSRP**  
**(USD)**

**SMART Board Interactive Display**

**SMART Board Interactive Display**

SBID8055i	SMART Board 55" Interactive Display with Notebook	1	<b>\$6,499</b>
SBID8070i	SMART Board Interactive Display with Notebook	1	<b>\$11,499</b>

**Optional Accessories**

ADP USB AB	USB A to B adaptor for 300 series Interactive display overlays and FSSBID 100	1	<b>\$10</b>
FSSBID 100	SMART Mobile stand for interactive displays	1	<b>\$4,399</b>
FSSBID 100H	SMART Mobile stand for interactive displays for HUB SE240	1	<b>\$4,399</b>
FSSBID LTS	Laptop shelf for SMART Mobile stand for interactive displays	1	<b>\$199</b>
FSSBID RACK MT	Cabinet conversion kit for a rack mount configuration	1	<b>\$19</b>

**SMART Technologies Corporation MSRP Price List**  
**(As of July 2, 2012)**

**Qty**  
**(EA)**

**MSRP**  
**(USD)**

**SMART Board Interactive Display Overlay**

**42" Overlays**

SBID-L442	SMART Board interactive display overlay for select 42" large bezel flat panel displays includes SMART Notebook software	1	<b>\$3,799</b>
SBID-S442	SMART Board interactive display overlay for select 42" small bezel flat panel displays includes SMART Notebook software	1	<b>\$3,799</b>

**46" Overlays**

SBID-L446	SMART Board interactive display overlay for select 46" large bezel flat panel displays includes SMART Notebook software	1	<b>\$4,099</b>
SBID-S446	SMART Board interactive display overlay for select 46" small bezel flat panel displays includes SMART Notebook software	1	<b>\$4,099</b>

**50" to 52" Overlays**

SBID-L450	SMART Board interactive display overlay for select 50" large bezel flat panel displays includes SMART Notebook software	1	<b>\$4,399</b>
SBID-S450	SMART Board interactive display overlay for select 50" small bezel flat panel displays includes SMART Notebook software	1	<b>\$4,399</b>
SBID-L452	SMART Board interactive display overlay for select 52" large bezel flat panel displays includes SMART Notebook software	1	<b>\$4,399</b>
SBID-S452	SMART Board interactive display overlay for select 52" small bezel flat panel displays includes SMART Notebook software	1	<b>\$4,399</b>

**57" to 58" Overlays**

SBID-L457	SMART Board interactive display overlay for select 57" large bezel flat panel displays includes SMART Notebook software	1	<b>\$4,699</b>
SBID-L458	SMART Board interactive display overlay for select 58" large bezel flat panel displays includes SMART Notebook software	1	<b>\$4,699</b>

**60" to 65" Overlays**

SBID-L461	SMART Board interactive display overlay for select 61" large bezel flat panel displays includes SMART Notebook software	1	<b>\$4,999</b>
SBID-L465	SMART Board interactive display overlay for select 65" large bezel flat panel displays includes SMART Notebook software	1	<b>\$4,999</b>

**SMART Technologies Corporation MSRP Price List**  
**(As of July 2, 2012)**

**Qty**  
**(EA)**

**MSRP**  
**(USD)**

---

**SMART Podium Interactive Pen Displays**

**SMART Podium**

---

SP518-NB	SMART Podium 518 interactive pen display with SMART Notebook software	1	<b>\$2,899</b>
SP524-NB	SMART Podium 524 interactive pen display with SMART Notebook software	1	<b>\$3,599</b>

---

**SMART Technologies Corporation MSRP Price List**  
**(As of July 2, 2012)**

**Qty**  
**(EA)**      **MSRP**  
**(USD)**

**SMART Response Interactive Response System**

**SMART Response LE**

SRP-LE-12	SMART Response LE System with Receiver and 12 Remotes	1	\$1,499
SRP-LE-18	SMART Response LE System with Receiver and 18 Remotes	1	\$1,949
SRP-LE-24	SMART Response LE System with Receiver and 24 Remotes	1	\$2,399
SRP-LE-32	SMART Response LE System with Receiver and 32 Remotes	1	\$2,999

**SMART Response PE**

SRP-PE-24	SMART Response PE System with Receiver and 24 Remotes	1	\$2,399
SRP-PE-32	SMART Response PE System with Receiver and 32 Remotes	1	\$2,999

**SMART Response XE**

SRP-XE-24	SMART Response XE System with Receiver, 24 Remotes	1	\$3,599
SRP-XE-32	SMART Response XE System with Receiver, 32 Remotes	1	\$4,275
SRP-XE-40	SMART Response XE System with Receiver, 40 Remotes	1	\$4,949

**Optional Accessories**

SRP-LE-CC	SMART Response LE Carrying Case	1	\$59
SRP-LE-CC-SM	SMART Response LE Carrying Case, SM	1	\$49
SRP-LE-RMT-1	SMART Response LE Remote	1	\$119
SRP-LE-RMT-5	SMART Response LE Remotes - Set of Five	1	\$585
SRP-PE-CC	SMART Response PE Carrying Case	1	\$59
SRP-PE-RMT-1	SMART Response PE Remote	1	\$119
SRP-PE-RMT-5	SMART Response PE Remotes - Set of Five	1	\$585
SRP-RCV-1	SMART Response Receiver	1	\$599
SRP-XE-CC	SMART Response XE Carrying Case	1	\$89
SRP-XE-RMT-1	SMART Response XE Remote	1	\$149
SRP-XE-RMT-5	SMART Response XE Remotes - Set of Five	1	\$735

**SMART Technologies Corporation MSRP Price List**  
**(As of July 2, 2012)**

**Qty**  
**(EA)**      **MSRP**  
**(USD)**

---

**Wireless Slate**

**Wireless Slate**

---

WS200-1	WS200 Bundle, SMART Slate and Bluetooth Wireless Adaptor	1-49	<b>\$439</b>
		50-199	<b>\$439</b>
		200-499	<b>\$439</b>
		500+	<b>\$439</b>

**Optional Accessories**

---

BTWS200	Bluetooth Wireless Adapter for WS200	1	<b>\$39</b>
---------	--------------------------------------	---	-------------



**SMART Technologies Corporation MSRP Price List**  
**(As of July 2, 2012)**

**Qty**  
**(EA)**      **MSRP**  
**(USD)**

---

**SMART Document Camera**

**SMART Document Camera**

---

SDC-330	SMART Document Camera 330	1	<b>\$949</b>
---------	---------------------------	---	--------------

**Optional Accessories**

---

20-01570-20	Mixed Reality Collaboration Cube	1	<b>\$15</b>
-------------	----------------------------------	---	-------------

**SMART Technologies Corporation MSRP Price List**  
**(As of July 2, 2012)**

**Qty**  
**(EA)**

**MSRP**  
**(USD)**

**SMART Classroom Amplification System**

**SMART Classroom Amplification System**

CAS-340	SMART Audio 340 System (no speakers)	1	<b>\$1,199</b>
CAS-340-C	SMART Audio 340 System (with 4 ceiling speakers)	1	<b>\$1,399</b>
CAS-340-W	SMART Audio 340 System (with 4 wall speakers)	1	<b>\$1,399</b>

**Optional Accessories**

CAS-300-IRMIC	SMART Audio 340/360 System Wireless Infrared Transmitter Microphone	1	<b>\$349</b>
CAS-300-IRSENS	SMART Audio 340/360 System Expansion Infrared Sensor (includes 4.5m cable)	1	<b>\$209</b>
CAS-CBLKIT-INST	SMART Audio System Installation Cable Kit (includes 4x 4.5m speaker cable and 15m CAT5 cable)	1	<b>\$35</b>
CAS-HSMIC	SMART Audio System Wired Headset Microphone Accessory	1	<b>\$79</b>
CAS-LVMIC	SMART Audio System Wired Lavalier Microphone Accessory	1	<b>\$35</b>
CAS-SPKR-C	SMART Audio System Ceiling Speakers (Qty. 4)	1	<b>\$169</b>
CAS-SPKR-W	SMART Audio System Wall Speakers (Qty. 4)	1	<b>\$169</b>

**SMART Technologies Corporation MSRP Price List**  
**(As of July 2, 2012)**

**Qty**  
**(EA)**      **MSRP**  
**(USD)**

**SMART Business Solutions**

**SMART Interactive Whiteboard Systems for Business**

SB880i5-SMP	SMART Board 880 with UF75 Projector and SMART Meeting Pro	1	\$7,199
SB880i5e-SMP	SMART Board 880 with UF75 Projector with SMART Meeting Pro and Appliance	1	\$8,199
SB885i5-SMP	SMART Board 885 with UF75w Projector and SMART Meeting Pro	1	\$7,899
SB885i5e-SMP	SMART Board 885 with UF75w Projector with SMART Meeting Pro and Appliance	1	\$8,899
SB885ix-SMP	SMART Board 885 with UX60 Projector and SMART Meeting Pro	1	\$8,499
SB885ixe-SMP	SMART Board 885 with UX60 Projector with SMART Meeting Pro and Appliance	1	\$9,499

**SMART Board Interactive Whiteboards for Business**

SB880-SMP	SMART Board 880 with SMART Meeting Pro	1	\$4,999
SB885-SMP	SMART Board 885 with SMART Meeting Pro	1	\$5,499

**SMART Board Interactive Display for Business**

SBID8055i-SMP	SMART Board 55" Interactive Display with SMART Meeting Pro	1	\$6,999
SBID8055ie-SMP	SMART Board 55" Interactive Display with SMART Meeting Pro and Appliance	1	\$7,999
SBID8055i-TS	Table Stand from SMART Board 55" Interactive Display	1	\$199
SBID8070i-SMP	SMART Board 70" Interactive Display with SMART Meeting Pro	1	\$11,499
SBID8070ie-SMP	SMART Board 70" Interactive Display with SMART Meeting Pro and Appliance	1	\$12,499

**42" Overlays for Business**

SBID-L442-MP	SMART Board interactive display overlay for select 42" large bezel flat panel displays includes SMART Meeting Pro software	1	\$3,799
SBID-S442-MP	SMART Board interactive display overlay for select 42" small bezel flat panel displays includes SMART Meeting Pro software	1	\$3,799

**46" Overlays for Business**

SBID-L446-MP	SMART Board interactive display overlay for select 46" large bezel flat panel displays includes SMART Meeting Pro software	1	\$4,099
SBID-S446-MP	SMART Board interactive display overlay for select 46" small bezel flat panel displays includes SMART Meeting Pro software	1	\$4,099

**50" to 52" Overlays for Business**

SBID-L450-MP	SMART Board interactive display overlay for select 50" large bezel flat panel displays includes SMART Meeting Pro software	1	\$4,399
SBID-S450-MP	SMART Board interactive display overlay for select 50" small bezel flat panel displays includes SMART Meeting Pro software	1	\$4,399
SBID-L452-MP	SMART Board interactive display overlay for select 52" large bezel flat panel displays includes SMART Meeting Pro software	1	\$4,399
SBID-S452-MP	SMART Board interactive display overlay for select 52" small bezel flat panel displays includes SMART Meeting Pro software	1	\$4,399

**57" to 58" Overlays for Business**

SBID-L457-MP	SMART Board interactive display overlay for select 57" large bezel flat panel displays includes SMART Meeting Pro software	1	\$4,699
SBID-L458-MP	SMART Board interactive display overlay for select 58" large bezel flat panel displays includes SMART Meeting Pro software	1	\$4,699

**60" to 65" Overlays for Business**

SBID-L461-MP	SMART Board interactive display overlay for select 61" large bezel flat panel displays includes SMART Meeting Pro software	1	\$4,999
SBID-L465-MP	SMART Board interactive display overlay for select 65" large bezel flat panel displays includes SMART Meeting Pro software	1	\$4,999

**SMART Technologies Corporation MSRP Price List**  
**(As of July 2, 2012)**

**Qty**  
**(EA)**      **MSRP**  
**(USD)**

**SMART Business Solutions (Cont'd)**

**SMART Podium for Business**

SP518-SMP	SMART Podium 518 interactive pen display with SMART Meeting Pro	1	<b>\$3,499</b>
SP524-SMP	SMART Podium 524 interactive pen display with SMART Meeting Pro	1	<b>\$4,199</b>

**SMART Meeting Pro Upgrade Kits**

SMP-UpK	SMART Meeting Pro Upgrade Kit. SMART Meeting Pro single license with GoWire Meeting Pro	1	<b>\$1,999</b>
---------	---	---	----------------

**SMART Collaboration Appliance**

SE240	SMART Hub SE240	1	<b>\$2,999</b>
SE240S	SMART Hub SE240 with USB to Serial Adapter	1	<b>\$2,999</b>
VE220	SMART Hub, VE220	1	<b>\$1,199</b>
VE220S	SMART Hub VE220 with USB to Serial Adapter	1	<b>\$1,199</b>
VE2SE-01	SMART Hub VE to SE Upgrade License	1	<b>\$1,799</b>

**Optional Accessories**

SBX8-RCA	Composite video panel for SBX800	1	<b>\$49</b>
----------	----------------------------------	---	-------------

**SMART Technologies Corporation MSRP Price List**  
**(As of July 2, 2012)**

**Qty**  
**(EA)**      **MSRP**  
**(USD)**

---

**Bridgit Data-Conferencing Software**

**Server Software (required)**

---

BSS-25	Bridgit Server 25 (25 Concurrent Users)	1	<b>\$7,499</b>
BSS-MAX	Bridgit Server MAX (500 Concurrent Users)	1	<b>\$12,999</b>

---

**Additional Licenses and Upgrades**

---

BUP-500	Bridgit Server upgrade (From 25 to 500 concurrent users)	1	<b>\$5,999</b>
---------	--	---	----------------

---

**SMART Technologies Corporation MSRP Price List**  
**(As of July 2, 2012)**

**Qty**  
**(EA)**      **MSRP**  
**(USD)**

---

**SMART Classroom Suite Interactive Learning Software**

**SMART Classroom Suite 2011**

---

SCS-011-L	SMART Classroom Suite 2011 - lab, mobile cart, computer-enabled classroom license	1	<b>\$2,199</b>
		2-5	<b>\$1,989</b>
		6-10	<b>\$1,545</b>
		11-20	<b>\$1,325</b>
		21-30	<b>\$1,099</b>
		31-50	<b>\$995</b>
		51-100	<b>\$775</b>
		101-499	<b>\$665</b>
		500+	<b>\$555</b>

**SMART Classroom Suite 2011 - Sync Upgrade**

---

SCS-011-UL	SMART Classroom Suite 2011 - lab, mobile cart, computer-enabled classroom license (Upgrade)	1	<b>\$775</b>
		2-5	<b>\$695</b>
		6-10	<b>\$539</b>
		11-20	<b>\$465</b>
		21-30	<b>\$385</b>
		31-50	<b>\$349</b>
		51-100	<b>\$269</b>
		101-499	<b>\$235</b>
		500+	<b>\$195</b>

**SMART Technologies Corporation MSRP Price List**  
**(As of July 2, 2012)**

**Qty**  
**(EA)**      **MSRP**  
**(USD)**

**SMART Sync Classroom Management Software**

**SMART Sync 2011**

SS-011-L	SMART Sync 2011 - lab, mobile cart, computer-enabled classroom license	Qty (EA)	MSRP (USD)
		1	\$1,249
		2-5	\$1,125
		6-10	\$875
		11-20	\$749
		21-30	\$625
		31-50	\$565
		51-100	\$439
		101-499	\$375
		500+	\$315

**SMART Sync 2011 Upgrade**

SS-011-UL	SMART Sync 2011 - lab, mobile cart, computer-enabled classroom license (Upgrade)	Qty (EA)	MSRP (USD)
		1	\$439
		2-5	\$395
		6-10	\$299
		11-20	\$265
		21-30	\$219
		31-50	\$199
		51-100	\$155
		101-499	\$129
		500+	\$115

**SMART Technologies Corporation MSRP Price List**  
**(As of July 2, 2012)**

**Qty**  
**(EA)**      **MSRP**  
**(USD)**

**SMART Response Interactive Assessment Software**

**SMART Response CE**

SRP-CE-L	SMART Response CE Bundle (NB, NBSE, Response CE) - teacher computer license	Qty (EA)	MSRP (USD)
		1	\$1,599
		2-5	\$1,439
		6-10	\$1,119
		11-20	\$959
		21-30	\$799
		31-50	\$719
		51-100	\$559
		100-499	\$479
		500+	\$399

**SMART Response VE**

SRP-VE-L	SMART Response VE - lab, mobile cart, computer-enabled classroom license (1 yr subscription)	Qty (EA)	MSRP (USD)
		1	\$659
		2-5	\$595
		6-10	\$465
		11-20	\$395
		21-30	\$329
		31-50	\$299
		51-100	\$229
		100-499	\$199
		500+	\$165

**Acuity UnWired**

SRP-AUW-L	Acuity UnWired for SMART Response School License	Qty (EA)	MSRP (USD)
		1-9	\$1,499
		10-24	\$1,449
		25-74	\$1,399
		75-149	\$1,349
		150-299	\$1,299
		300+	\$1,249



**SMART Technologies Corporation MSRP Price List**  
**(As of July 2, 2012)**

**Qty**  
**(EA)**      **MSRP**  
**(USD)**

**SMART Ideas Concept-Mapping Software**

**SMART Ideas**

SI-300-L	SMART Ideas Individual License	1-4	<b>\$129</b>
		5-9	<b>\$125</b>
		10-19	<b>\$110</b>
		20-49	<b>\$89</b>
		50-99	<b>\$69</b>
		100+	<b>\$65</b>
SI-300-S	SMART Ideas School License - Unlimited Installs for a K-12 School	1	<b>\$5,555</b>

**SMART Technologies Corporation MSRP Price List**  
**(As of July 2, 2012)**

**Qty**  
**(EA)**      **MSRP**  
**(USD)**

**Notebook Software**

**SMART Notebook**

NBSWT-B1-C	Notebook Collaborative Bundle – 1yr	1	<b>\$919</b>
------------	-------------------------------------	---	--------------

**SMART Notebook SE (Student Edition)**

NBSE-2009-LI	SMART Notebook SE Single Individual Software License	1-10	<b>\$55</b>
		11-40	<b>\$28</b>
		41-199	<b>\$19</b>
		200-399	<b>\$17</b>
		400-599	<b>\$14</b>
		600+	<b>\$11</b>

**SMART Notebook Math Tools**

NBMT-100-L1	SMART Notebook Math Tools - Single License	1	<b>\$199</b>
		2-5	<b>\$189</b>
		6-10	<b>\$169</b>
		11-20	<b>\$149</b>
		21-30	<b>\$129</b>
		31-50	<b>\$119</b>
		51-100	<b>\$109</b>
		101-499	<b>\$89</b>
		500+	<b>\$79</b>

**SMART Notebook 3D Tools**

NB3D-100	SMART Notebook 3D Tools	1	<b>\$69</b>
		2-5	<b>\$66</b>
		6-10	<b>\$59</b>
		11-20	<b>\$52</b>
		21-30	<b>\$45</b>
		31-50	<b>\$41</b>
		51-100	<b>\$38</b>
		101-499	<b>\$31</b>
		500+	<b>\$28</b>

**SMART Technologies Corporation MSRP Price List**  
**(As of July 2, 2012)**

**Qty**  
**(EA)**

**MSRP**  
**(USD)**

---

**SMART Education Content**

**Primary Education Content**

---

HCF-K1-L	CoreFocus K-1 Math and Literacy Bundle	1	<b>\$3,069</b>
		2-5	<b>\$3,069</b>
		6-10	<b>\$2,915</b>
		11-20	<b>\$2,765</b>
		21-30	<b>\$2,599</b>
		31-50	<b>\$2,455</b>
		51-100	<b>\$2,149</b>
		101-499	<b>\$1,839</b>
		500+	<b>\$1,229</b>

**SMART Technologies Corporation MSRP Price List**  
**(As of July 2, 2012)**

**Qty**  
**(EA)**

**MSRP**  
**(USD)**

---

**SMART Vantage Technology-Management Software**

**SMART Vantage Manage & Report**

---

SV-MR-V	SMART Vantage Manage & Report (1 Yr Subscription)	1	<b>\$75</b>
		2-5	<b>\$75</b>
		6-10	<b>\$75</b>
		11-20	<b>\$68</b>
		21-30	<b>\$64</b>
		31-50	<b>\$60</b>
		51-100	<b>\$56</b>
		101-499	<b>\$53</b>
		500+	<b>\$45</b>

**SMART Technologies Corporation MSRP Price List**  
**(As of July 2, 2012)**

**Qty**  
**(EA)**

**MSRP**  
**(USD)**

**Services**

**Training Sessions**

SVC-TMFD	Full-Day Training Session Max. 15 Participants	1	<b>\$2,399</b>
SVC-TMHD	Half-Day Training Session Max. 15 Participants	1	<b>\$1,999</b>
SVC-TMTT	Full-Day Train-the-Trainer Session Max. 10 Participants	1	<b>\$2,549</b>
SVC-TMTT-2	2-Day Train-the-Trainer Session Max. 10 Participants	1	<b>\$3,549</b>
SVC-TMXF	Additional Session SVC-TMFD Max. 15 Participants	1	<b>\$999</b>
SVC-TMXH	Additional Session SVC-TMHD Max. 15 Participants	1	<b>\$499</b>
SVC-TSRS	Full-Day SMART Response Training Session Max. 15 Participants	1	<b>\$2,399</b>

**Training Certifications**

SVC-TCSSC	SMART Classroom Suite and Sync Certification	1	<b>\$999</b>
SVC-TNBRCC	SMART Notebook and Response Combo Certification	1	<b>\$2,298</b>
SVC-TRCSC	SMART Response and Classroom Suite Certification	1	<b>\$1,199</b>

**SMART Technologies Corporation MSRP Price List**  
**(As of July 2, 2012)**

**Qty**  
**(EA)**      **MSRP**  
**(USD)**

**Warranty**

**Extended Warranties**

EWY2-UX60	2 Year Extended Warranty for UX60 Projector	1	\$399
EWY2-UF65	2 Year Extended Warranty for UF65 Projector	1	\$249
EWY2-UF65W	2 Year Extended Warranty for UF65W Projector	1	\$249
EWY2-UF75	2 Year Extended Warranty for UF75 Projector	1	\$299
EWY2-UF75W	2 Year Extended Warranty for UF75W Projector	1	\$299
EWY3-V25	3 Year Extended Warranty for V25 projector	1	\$199
EWY3-SB480	3 Year Extended Warranty for SB480 interactive whiteboard	1	\$129
EWY3-SRP-LE-12	3 Year Extended Warranty for Response LE12	1	\$99
EWY3-SRP-LE-18	3 Year Extended Warranty for Response LE18	1	\$129
EWY3-SRP-LE-24	3 Year Extended Warranty for Response LE24	1	\$159
EWY3-SRP-LE-32	3 Year Extended Warranty for Response LE32	1	\$199
EWY3-SRP-PE-24	3 Year Extended Warranty for Response PE24	1	\$159
EWY3-SRP-PE-32	3 Year Extended Warranty for Response PE32	1	\$199
EWY3-SRP-XE-24	3 Year Extended Warranty for Response XE24	1	\$239
EWY3-SRP-XE-32	3 Year Extended Warranty for Response XE32	1	\$279
EWY3-SRP-XE-40	3 Year Extended Warranty for Response XE40	1	\$329
EWY3-WS200	3 Year Extended Warranty for WS200 Wireless Slate	1	\$55
EWY3-SP518	3 Year Extended Warranty for Podium SP518	1	\$309
EWY3-SP524	3 Year Extended Warranty for Podium SP524	1	\$379
EWY4-SBA	4 Year Extended Warranty for USB Audio	1	\$45
EWY2-SLR40WI	2 Year Extended Warranty for SLR40WI Projector	1	\$399

**SMART Technologies Corporation MSRP Price List**  
**(As of July 2, 2012)**

**Qty**  
**(EA)**

**MSRP**  
**(USD)**

**Legacy Products**

**Additional Licenses and Upgrades for SMART Bridgit conferencing software**

BDC-05	Bridgit Software 5 Concurrent User Licenses	1	<b>\$500</b>
BDC-10	Bridgit Software 10 Concurrent User Licenses	1	<b>\$1,000</b>
BDC-25	Bridgit Software 25 Concurrent User Licenses	1	<b>\$1,499</b>
BDC-50	Bridgit Software 50 Concurrent User Licenses	1	<b>\$1,999</b>
BDC-MAX	SMART Bridgit Max Participant/User License	1	<b>\$2,499</b>

1278  
1279

# ATTACHMENT D- BID OPENING CHECKLIST (ALJP ADMIN ONLY) FOR INFORMATION PURPOSES ONLY

**From List in ALJP 2012 ITB**

Product Line # \_\_\_\_\_

Vendor/bidder \_\_\_\_\_

Date Reviewed \_\_\_\_\_

On Time  Yes  No

Order  Yes  No

Digital Copies Inv  Yes  No

Sign and Notarized  Yes  No

ISO Certificate Attachment A  Yes  No

Vendor Name on ISO Cert  Matches Vendor submitting ITB  
 Does Not Match Submitting Vendor Name

ISO Cert type  ISO 9001:2008  
 ISO OTHER CERT  
 Other \_\_\_\_\_  
 Not Provided

Certificate Expires \_\_\_\_\_ **Must be current**

Response Template  Excellent  
 Good  
 OK  
 Poor  
 NOT followed  
 Specify your own value: \_\_\_\_\_

Page Initials  Initials are on each page  
 Partial initials on some pages  
 No Initials

E-Verify Documentation  Not Provided  
 Affidavit  
 NOU  
 Specify your own value: \_\_\_\_\_

Found in Attachment B

ISO A, B or File Source  1 Qualified Bidder's Web site made available to the market and/or general public  
 2 Qualified Bidder's Web site made available to the market and/or general public  
 3 Qualified Bidder's published catalogue made available to the market and/or general public and available in digital format  
 4 Manufacturer's published catalogue made available to the market and/or general public and available in digital format  
 5 A Quality of Bidder's published catalogue that may not be made available to the general public, but made available to the ALJP Contract Administrator.  
 6 Manufacturer's published catalogue that may not be made available to the general public, but made available to the ALJP Contract Administrator.

ISO Website Documentation  Screenshots Provided  
 Best Documents Provided  
 Other Documentation Provided

ISO Website Accessible  Accessible - Appears to be complete  
 Accessible - Does NOT appear to be complete  
 Not Accessible

ISO Website Schedule  Single Document  
 Categorized Documents  
 Cost Plus Option

Not Provided

Notes/Comments

1280

1281

1282

1283

1284

This form or similar will be used to pre-qualify bids responses in the official bid opening, only.





# ALJP COMMITTEE EVALUATOR'S FORM

## (INFORMATION PURPOSES ONLY)

1286

1287

1288 The following form represents the form that the response evaluators will use to determine a score the  
1289 response's provided by a Qualified Bidder.

1290

ALJP 2012 ITB Evaluations - New Item

File Edit View Tools

Save Copy Paste Undo Copy Paste Undo ABC Spelling

Command: Ctrl+Z Ctrl+Y

---

Evaluator ID \*

Response of Evaluation

ISO Certification Acceptable

ISO Certificate Constant

Reseller Authorization

PA Comment

Alabama Company Qualification

ACQ Comment

E-Verify

FPLC Website Validation

FPLC - Bidder Demographics

FPLC - Bidder Contact Information

FPLC - ISO Certificate

FPLC - ALJP12 Identification

Evaluator's assigned ID

(None)

ISO Certificate Accepted

ISO Certificate Not Accepted

Specify your own value.

The ALJP Administration will research the submitted ISO Certification requirement and only allow those that meet requirement to be evaluated. If the ISO certification requirement is not met then there is no need to evaluate the response. This is added to show the importance of the ISO Certificate requirement.

Not Applicable - Bidder is Manufacturer

Provided by the Bidder & Acceptable

Provided by the Bidder but Not Acceptable

See ISO 9001: Certified Authorized Reseller - Section on or near line 133

Qualified

Not Qualified

In the event a bid is received from a Qualified Bidder, having a place of business within the State of Alabama and the bid is no more than five percent greater than the bid of the lowest responsive bidder, the SBV may award the contract to the resident Qualified Bidder. [Code of Alabama 1975, Section 16-139 (a) and Section 16-139-7(c)]

E-Verify Requirements Met

E-Verify Requirements Not Met

Does the bid response show that the e-Verify requirements have been met?

FPLC URL Works

FPLC URL IS NOT AVAILABLE

The FPLC URL from this Contract Website is required within the bid response in two formats: A live website made available upon opening of bid response from this link provided by the Bidder response as expected?

Y

N

Y

N

Y

N

Does the viewer see the term ALJP2012? Is there a reference to the ALJP program?

1291

1292

1293

**FPLCW - PRODUCT LINE** (1) Does the submitted clearly identify the Product Line for which the web page represents?

**FPLCW - Detailed Purchasing Instructions** (1) Are there purchasing procedure instructions displayed and are they clear and concise?

**FPLCW - ALJP URL** (1) Is there a link back to the ALJP website (<http://aljp.alstede.edu>)?

**FPLCW - PLPOP Source** (1) Link to Product Line Product Offering and Base Pricing SOURCE is active and reflects response on page 17 and 1.

**FPLCW - PLPOP Source Audit Test** (1)
 

- Clear & Concise
- Acceptable
- Not Clear
- Not Provided

**FPLCW - Discount** (1) Clear and concise instruction for buyers to follow in transferring and documenting the pricing for B2B1 purposes as it relates to the proposed Product Line Product Offering and Base Pricing SOURCE.

**FPLCW - Sales Contacts** (1) Declaration of the Proposed Single Address the Board or Categorical Procurements - Discount Schedule - to be applied to Product Line Product Offering Base Pricing is (are) displayed. The proposed discount schedule, if applicable, be listed in a clear format if not as it is in the response.

**FPLCW - Warranty** (1) 10. Link to or URL of Sales Contact Information/Detail
 

- a. If applicable, include ALJP Authorized Resellers Contact Information.
- b. Special Instructions related to Sales Contacts - If applicable. (Sales Region, category restrictions, etc.)

**FPLCW - Shipping** (1) Shipping & Delivery Detail and Cost Information

**FPLCW - ALJP PRICE LIST** (1) Link to ALJP Price Listing

**FPLCW - E-Verify Information** (1)
 

- a. E-Verify Documentation
- b. E-Verify Affidavit
- c. E-Verify Background of Understanding

**FPLCW - Archival Capabilities** (1)
 

- a. Archival (Links)
- b. Contract Activity Reports
- c. Sales Contact List
- d. ALJP Price List
- e. ISO Certificate(s) (if renewal of certificate has been made during contract period)

**FPLCW - RESPONSE COPY** (1) Original Response Documentation Digitized. THIS document digitized and made available

**FPLCW - COMMENTS**

Please provide any comments or notes you may have concerning the Prospective Product Line Contact Website - Justifying your score - (text fields)

1294

**FPLCW - QUANTITY SCORE** (0.0) Quality score of 20% based on ease of use. 0-20 points

**FPLCW - Aesthetics** (0.5 points) Score for how the site looks, aesthetics. 0-5 points

**FPLCW - Attachment C** (1) Provide screenshots and/or hard printed copies of the required documentation of the Potential Product Line Website as described in the (Potential) FC Website Requirements section in this document. This Attachment does not have to duplicate Attachment A or B. The documentation provided here must be a complete representation of the Potential FC Website. Does this response provide this information?

**DISCOUNT SCORE** (1) During the evaluation the total score for the Discount portion will have a weight of 25%. In the event that multiple responses for a specific product line are evaluated based on the same Product Line Product Offering and Base Pricing source, the total points for this section will go to the Qualified Bidder with the highest quoted discount. An analysis of the ALJP Pricing List submitted by each of the competing Qualified Bidders will be performed to confirm equivalency of the Product Line Product Offering and Base Pricing source. In the event that multiple responses for a specific product line are evaluated based on submitted multiple sources, the ALJP Pricing List submitted with the qualified responses will be evaluated and higher points given to the Qualified Bidder that provides the best discount and best availability of products of the product line. (0 - 25)

**In my opinion, this response**

- 1. would be acceptable for an award based on scoring of the group.
- 2. is not acceptable for an award.
- 3. needs further review by ALJP Administrator.

**Evaluator's Status** Indicate your opinion about this response. Be sure to discuss in the Evaluator Notes field.
 

- Under Review
- Over 50% complete
- Complete

[ Save ] [ Cancel ]

1295

1296

This form may be subject to change per requirements located in the ITB document.

1297

1298 Thank you for your interest in the Alabama Joint Purchasing Program.



## SMART Board™ 800 series interactive whiteboard

Experience an extraordinarily natural way to interact with lessons with the SMART Board 800 series interactive whiteboard. It enables two users to start working on lesson activities simultaneously, using their fingers or a pen. With the 800 series, teachers and students can truly collaborate, making lessons more magical and interactive.

### Hands-on collaboration

The 800 series represents a new class of interactive whiteboard. As a powerful, multitouch interactive whiteboard, the 800 series enables two users to simultaneously interact on the system's surface, while using different tools or their fingers to write, draw and manipulate lesson content. The interactive whiteboard doesn't have restricted user areas or a separate multiuser mode, so collaborative opportunities are always at your fingertips.\*

### The magic of touch

Use simple, intuitive hand and finger gestures to interact with your lesson content. The touch gesture\* capabilities of the 800 series make it easy for you to toss, rotate or zoom in on lesson content, or control applications in Windows® 7 or Snow Leopard operating systems. A user can also independently write with a pen, erase with a palm or move objects with a finger – there's no need to access on-screen menus.

### Rich in classroom resources

Find thousands of high-quality resources on the SMART Exchange™ website. The SMART Exchange features lessons made specifically for SMART products, including the 800 series – created either by SMART or by third-party developers.

### Part of the SMART classroom

The 800 series has a modular design, making it easy to add additional technology and accessories, like SMART projector controls. The interactive whiteboard also integrates with the SMART Document Camera™ and SMART Response™ interactive response systems. And accessories like the SMART mobile floor stand and wireless Bluetooth® connection mean that you can incorporate the 800 series into a variety of learning environments.



- 1** SMART Board interactive whiteboard – a multiuser interactive whiteboard that enables two users to simultaneously write, erase and manipulate content
- 2** Multiuser Pen Tray – the advanced Pen Tray automatically detects tool modes
- 3** DVIT™ (Digital Vision Touch) technology – the 800 series uses cameras to distinguish between different actions and respond accordingly

## Key features

### Multitouch experience

Two users can simultaneously write, perform mouse functions, erase, and manipulate and move objects on the interactive whiteboard surface – and no special tools are required.

### Freestyle interaction\*

The system enables two users to instantly start working together without having to switch into a separate multiuser mode or work in a confined area. And each user can individually complete actions, like writing in digital ink or moving objects with their fingers.

### Object awareness

The 800 series recognizes when a user switches between using a finger, pen and eraser. A user can also write with a pen, erase with a palm and move objects with a finger, without having to press buttons, access on-screen menus or replace tools in the Pen Tray.

### Touch gestures\*

Use simple, intuitive hand and finger gestures to toss, rotate or zoom in on objects and interact within SMART Notebook software. The 800 series has built-in support for Windows 7 and Snow Leopard.

### SMART Ink™

Discover a responsive and accurate writing experience with SMART Ink. It smoothes out the appearance of the digital ink, which improves the legibility of your handwriting as you write over applications, websites and videos. The ink becomes an object that you can move and manipulate.

### Save function

Capture your work to SMART Notebook collaborative learning software as a screen shot that you can edit, or save your notes directly into several software applications, including Microsoft Windows versions of PowerPoint®, Word and Excel®, Adobe® Acrobat® and AutoCAD® software.

### Durable surface

The 800 series has a low-gloss surface that is optimized for projection. The surface is compatible with dry-erase markers and magnets and is easily cleaned.

### Widescreen option

Enjoy more room to work. The wide-format 885 model gives you 20 percent more working space than a standard interactive whiteboard – ideal for classrooms that use widescreen laptops and monitors.

### Warranty

The SMART Board 800 series interactive whiteboard has a two-year warranty, which is extended to five years upon product registration.

## Specifications

### SMART Board™ 880 interactive whiteboard

#### Size

66 1/8" W × 51 1/8" H × 6 1/2" D  
(168 × 130 × 16.5 cm)

#### Active screen area

(maximum interactive, projected image)  
61 5/8" W × 46 1/8" H  
(156.5 × 117.2 cm)  
77" (195.6 cm) diagonal  
4:3 aspect ratio

#### Weight

52.2 lbs. (23.7 kg)

### SMART Board 885 interactive whiteboard

#### Size

78 1/2" W × 51 1/8" H × 6 1/2" D  
(199.4 × 130 × 16.5 cm)

#### Active screen area

(maximum interactive, projected image)  
73 7/8" W × 46 1/4" H  
(187.7 × 117.3 cm)  
87" (221 cm) diagonal  
16:10 aspect ratio

#### Weight

60 lb. (27.2 kg)

## Authorized reseller:

## SMART Technologies

Toll Free 1.866.518.6791 (U.S./Canada)

or +1.403.228.5940

[smarttech.com](http://smarttech.com)



## SMART Board™ 885ix

interactive whiteboard system

Experience true collaborative learning with the SMART Board 885ix interactive whiteboard system. The 885ix offers users an extraordinarily natural learning experience that makes it easy to interact with lesson content. It enables two users to instantly start working on lesson activities at the same time, allowing each user to work in a way that is intuitive to them.\*

### In a class of its own

As part of the 800 series, the 885ix represents a new class of interactive whiteboard. This interactive whiteboard system features a powerful SMART Board interactive whiteboard, the SMART UX60 ultra-short-throw projector, an extended control panel and a modular Pen Tray. This combination delivers a precise and intuitive touch experience along with stunning image quality and an interactive widescreen surface for teaching and learning. And because it's an integrated system, it's easy to control and manage your classroom technology.

### Truly collaborative learning

With the 885ix, two users can work on a lesson at the same time, anywhere on the interactive whiteboard.\* Each user can use a finger or a pen to simultaneously write, draw and manipulate content in SMART Notebook™ collaborative learning software. The system doesn't require a separate multiuser mode, so teachers can enable collaboration instantly. A user can also write with a pen, erase with a palm and move objects with a finger.

### More magical moments

Lessons are interactive and energetic with the 885ix. You can use simple, intuitive touch gestures\* to toss, rotate or zoom in on objects in SMART Notebook software, or access other applications in Windows 7 or Mac Snow Leopard.

The magical touch experience of the 885ix means that you can interact with your lessons and multimedia quickly and easily – without having to access on-screen menus.



- 1** Extended control panel – a panel that provides centralized control over classroom technology
- 2** SMART UX60 projector – an integrated, ultra-short-throw WXGA (1280 x 800) projector with a 16:10 aspect ratio. The SMART UX60 has a 12" (30.5 cm) optical throw distance to the interactive whiteboard
- 3** SMART Board interactive whiteboard – a multiuser interactive whiteboard that enables two users to simultaneously write, erase and manipulate content
- 4** Modular Pen Tray – the advanced Pen Tray automatically detects tool modes. The Pen Tray also has two wings on the side that allow you to add accessories.

## Key features

### Multitouch experience

Two users can simultaneously write, perform mouse functions, erase, and manipulate and move objects on the interactive whiteboard surface – and no special tools are required.

### Freestyle interaction\*

The system enables two users to instantly start working together without having to switch into a separate multiuser mode or work in a confined area. And each user can individually complete actions, like writing in digital ink or moving objects with their fingers.

### Object awareness

The 885ix uses cameras to identify when a user switches between using a finger, pen and eraser. A user can also write with a pen, erase with a palm and move objects with a finger, without having to press buttons, access on-screen menus or replace tools in the Pen Tray.

### Touch gestures\*

Use simple, intuitive hand and finger gestures to toss, rotate or zoom in on objects and interact within SMART Notebook software. The 885ix has built-in support for multitouch operating systems like Microsoft Windows 7 and Mac Snow Leopard.

### SMART Ink

Discover a natural, responsive and accurate writing experience with SMART Ink. It smoothes out the appearance of the digital ink, which improves the legibility of your handwriting as you write over applications, websites and videos. The ink becomes an object that you can move and manipulate.

## Superior image quality

The SMART UX60 projector uses BrilliantColor™ technology from Texas Instruments™ to produce high levels of brightness and contrast. Video, data and lesson files will look crisp and bright from every position in the room.

## Network-enabled projector

Connect the SMART UX60 projector to your school's IP network to send and receive commands to and from the web server or SNMP client. As a networked interactive whiteboard system, the 885ix has asset management features that enable you to control and manage the projector remotely.

## Long-lasting lamp

The SMART UX60 lasts for 3,000 hours in standard mode and 4,000 hours in economy mode.

## Warranty

Get a three-year warranty on the SMART UX60 projector. The SMART Board interactive whiteboard has a five-year warranty upon product registration.

## Specifications

### SMART Board 885 interactive whiteboard Size

78 1/2" W x 51 1/8" H x 6 1/2" D  
(199.4 x 130 x 16.5 cm)

### Active screen area

(maximum interactive, projected image)  
73 7/8" W x 46 1/4" H  
(187.7 x 117.3 cm)  
87" (221 cm) diagonal  
16:10 aspect ratio

### Weight

60 lb. (27.2 kg)

### SMART UX60 projector Size

17 2/5" W x 14 3/10" H x 15 3/5" D  
(44.2 x 36.3 x 39.6 cm)

### Weight

24 lb. (10.9 kg)

### Remote control

1 5/8" W x 3 3/8" H x 1/4" D  
(4.0 x 8.6 x 0.7 cm)

## Authorized reseller:

## SMART Technologies

Toll Free 1.866.518.6791 (U.S./Canada)

or +1.403.228.5940

[smarttech.com](http://smarttech.com)



# Specifications

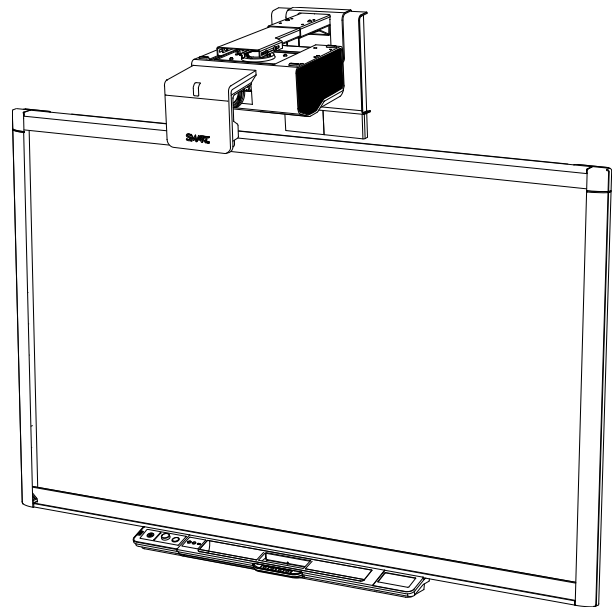
## SMART Board® interactive whiteboard system

### Model X880i5/880i5-SMP

#### Physical specifications

##### SMART Board® 880 interactive whiteboard

Size	66 1/8" W × 53 3/8" H × 6 1/2" D (168 cm × 135.6 cm × 16.5 cm)
Active screen area (maximum interactive projected image)	61 5/8" W × 46 1/4" H (156.5 cm × 117.5 cm) 77" (195.6 cm) diagonal 4:3 aspect ratio
Weight	52 lb. (23.6 kg)
Shipping size	4 3/8" W × 56 3/4" H × 75 3/4" D (11.1 cm × 144.1 cm × 192.4 cm)
Shipping weight	
SBX880i5	1 unit: 76 lb. (34.5 kg)
SB880i5-SMP	1 unit: 81 lb. (36.7 kg)



All dimensions +/- 1/8" (0.3 cm). All weights +/- 2 lb. (0.9 kg).

##### SMART UF75 projector

Projector	14" W × 15 1/2" H × 28" D (35.6 cm × 39.4 cm × 71.1 cm)
Remote control	1 5/8" W × 3 3/8" H × 1/4" D (4 cm × 8.6 cm × 0.7 cm)
Weight	17 lb. (7.7 kg)

Extraordinary made simple®

**SMART**®

## SPECIFICATIONS

SMART Board interactive whiteboard system – Model X880i5/880i5-SMP

Shipping weight	32 lb. (14.5 kg)
Shipping size	20" W × 15 1/2" H × 24" D (50.8 cm × 39.4 cm × 61 cm)

### Extended control panel (ECP)–SBX880i5 only

Size	6 5/8" W × 2 1/8" H × 4 5/8" D (16.8 cm × 5.5 cm × 11.9 cm)
Shipping size	16 1/2" W × 14" H × 3" D (41.9 cm × 35.6 cm × 7.6 cm)
Shipping weight	5 lb. 11 oz. (2.6 kg)

SB880i5-SMP

#### **i** NOTE

The SB880i5-SMP ships with the ECP and SBX800 CAT5-XT USB extender already attached to the pen tray of the SMART Board 880 interactive whiteboard.

## Standard features

<b>Software</b>	The following software options are available, either: SBX880i5 SMART Notebook™ collaborative learning software including SMART Product Drivers OR SB880i5-SMP SMART Meeting Pro™ software including SMART Product Drivers
<b>Environmental compliance</b>	EU REACH, RoHS, WEEE, Battery and Packaging, US Packaging and China EIP
<b>Regulatory certification</b>	CB, CCC, CE, C-Tick, FCC, GOST-R, KC, NOM, PSB, PSE, TUV-GS, UL/CSA (U.S./Canada) and VCCI
<b>Power consumption</b>	290 W average in Standard mode and less than 1 W in Standby mode in accordance with EuP regulations
<b>Cables</b>	The following cables are included with each system option:

System	Cables
SBX880i5	Includes the necessary cables to connect the projector to the ECP. However, you must supply the appropriate input cables for your devices.

## SPECIFICATIONS

SMART Board interactive whiteboard system – Model X880i5/880i5-SMP

System	Cables
SB880i5-SMP	<ul style="list-style-type: none"><li>Includes the necessary cables to connect the projector to the ECP. However, you must supply the appropriate input cables for your devices.</li><li>An SBX800 CAT5-XT USB extender is included and enables you to connect your interactive whiteboard pen tray to a guest computer up to 50' (15 m) away using a Cat 5, Cat 5e or Cat 6 cable (not included). For more information, see <a href="http://smarttech.com/kb/154489">smarttech.com/kb/154489</a>.</li></ul>

### Interactive whiteboard features

#### Touch and gestures

Perform mouse functions with your finger, and write and erase digital ink with a pen tray pen or the eraser. The Object Awareness feature enables you to pick up a pen, and then write, select or erase without replacing the pen. This interactive whiteboard also features gesture capability, providing a natural and flexible way to interact with content.

#### Multitouch capabilities

Users can interact with the interactive whiteboard using the included pens or other objects, or by using their fingers to write and perform gestures.

The following multitouch capabilities are available:

System	Multitouch capability
SBX880i5	Support for four simultaneous touches enables up to four users to interact with the interactive whiteboard.
SB880i5-SMP	Support for two simultaneous touches enables up to two users to interact with the interactive whiteboard.

#### Pen tray

Optical sensors in the pen tray detect when you lift a pen or eraser from the tray. Color buttons on the pen tray enable you to select pen color.

The following pen tray features are available:

System	Features
SBX880i5	Removable end caps for optional accessories
SB880i5-SMP	The ECP is installed to the pen tray. The pen tray also features the SBX800 CAT5-XT USB extender.

#### Pen and eraser

Two ergonomic pens with a comfort grip and a rectangular eraser

#### Resolution

Touch resolution is approximately 4000 × 4000.

#### Screen surface

The hard-coated steel surface is durable, optimized for projection, compatible with dry-erase markers and easily cleaned.

## SPECIFICATIONS

SMART Board interactive whiteboard system – Model X880i5/880i5-SMP

**Digitizing technology** Four-camera DViT® (Digital Vision Touch) technology

**Frame finish** Two-tone gray (Dark gray approximates PANTONE® Charcoal Gray 18-0601 TPX. Light gray approximates PANTONE Cool Gray 6C.)

**Wall-mount bracket** 32" (81.3 cm) wide bracket with five screws and toggle bolt anchors to support a wall-mounted interactive whiteboard

**Computer connection** The following computer connection methods are available:

System	Connection method
SBX880i5	16' (5 m) USB 2.0 cable to room computer
SB880i5-SMP	<ul style="list-style-type: none"><li>16' (5 m) USB 2.0 cable and 7' (2.1 m) SMART GoWire™ auto-launch cable to room computer</li><li>50' (15.2 m) SBX800 CAT5-XT USB extender to guest computer</li></ul>

**Power requirements** The interactive whiteboard system obtains power from the projector through the ECP cable.

### SMART UF75 projector features

**System components** SMART UF75 projector, wall mount, ECP, remote control and all input cables necessary to connect the ECP to the projector

**Image adjustment** The wall mount includes mechanical adjustments for aligning the projector image with the interactive whiteboard. The projector also has a focus lever and an on-screen menu for adjusting brightness, contrast and other image-related attributes.

**Display type** XGA 1024 × 768

**Display technology** The projection engine uses DLP® technology by Texas Instruments™, providing BrilliantColor™ performance and quality Gamma 2.2 correction with Bright Room, Dark Room, sRGB, User and SMART Presentation modes.

**3D technology** 3D-ready projector using DLP Link™ technology

**Brightness** Estimated at 2500 lumens (typical) in Standard 230 W mode at a CCT of 6500 K by the IEC method. Estimated at 1875 lumens in Economy 190 W mode.

**Lamp life** 2500 hours in Standard 230 W mode. 4000 hours in Economy 190 W mode.

**Aspect ratio** 4:3 with support for 16:9, 16:10 ratios and 5:4 ratio with scaling.

**Contrast ratio** 2900:1

**Video system compatibility** NTSC, NTSC 4:43, PAL, PAL-N, PAL-M and SECAM

## SPECIFICATIONS

SMART Board interactive whiteboard system – Model X880i5/880i5-SMP

**Video interface compatibility** HDCP compliant HDMI, Composite, S-video, VESA® RGB with additional interface support for Component YPbPr and Component YCbCr inputs with the proper adapters (not included)

**Video format compatibility** The projector has a native 4:3 aspect ratio WXGA resolution and supports VGA, SVGA, SXGA, Quad VGA, SXGA+ and UXGA formats with scaling.

**Synchronization** Auto image synchronization (auto tracking, frequency, position adjustment, source detect and phase detect)

**Mounting hardware** Includes hardware for mounting the projector to framed and solid walls. Also includes a safety tether.

### Input/output connections

Connector	Connects to
Power	Main power source
4-pin power mini-DIN 5V/2A output	ECP cable harness
7-pin mini-DIN	ECP cable harness
DB9 RS-232F	ECP cable harness
DB15F RGB video input (VGA 1)	Default primary computer (cable not included)
DB15F RGB video input (VGA 2)	Default secondary computer cable harness
3.5 mm phone jack audio input (×2)	Pen tray (For primary and secondary computer audio output. Cable not included.)
DB15F RGB video output (VGA Out)	Optional secondary display (cable not included)
3.5 mm phone jack audio output	External audio system (cable not included)
RCA composite video input (and left and right RCA audio input)	Video and audio source (cable not included)
4-pin mini-DIN S-video input (and left and right RCA audio input)	Video and audio source (cable not included)
HDMI input	High-definition audio/video source (cable not included)
RJ45	Network (for web page management and SNMP access, cable not included)
USB B	Computer (for service access only, cable not included)

### Projector fan operating temperatures

- Standard speed: 41°F to 95°F (5°C to 35°C) from 0' to 6000' (0 m to 1800 m)
- High speed: 41°F to 86°F (5°C to 30°C) from 6000' to 6800' (1800 m to 2100 m)

## SPECIFICATIONS

SMART Board interactive whiteboard system – Model X880i5/880i5-SMP

**Projector noise** 36 dBA at high speed and 31 dBA at standard speed, measured using the JIS method

**Power requirements** 100V–240V AC at 50 Hz–60 Hz

**Power cable** Includes a 14' 9" (4.5 m) power cable

**External control** Both serial (via RS-232) and SNMP (via Ethernet) control are supported. The RS-232 control connector is configured to accept codes from your computer or an optional room control system.

The following system connection options are available:

System	Connection options
SBX880i5	4-pin connector on ECP for RS-232 protocol room control systems. The cable is available separately (part number SBX8-CTRL) from your authorized SMART reseller ( <a href="http://smarttech.com/wheretobuy">smarttech.com/wheretobuy</a> ).
SB880i5-SMP	4-pin connector on ECP for RS-232 protocol room control systems. The cable is included.

**Remote control** An alternative method of controlling the projector and adjusting the projector settings

**Theft protection** The projector system features an optional padlock ring to prevent theft. You can use the Kensington® security slot to affix the system to a wall as a visual and physical theft deterrent.

## ECP features

### Input/output connections

Connector	Connects to:
RJ11 6-wire	Pen tray
11-pin	ECP cable harness
4-pin	Optional room control system adapter (included with SB880i5-SMP only)
USB B	Pen tray
USB mini-B	Primary computer (not included) using the included cable
USB mini-B	Guest laptop (not included)
USB A	USB drive (not included)

#### NOTE

This works with the primary computer only.

## SPECIFICATIONS

SMART Board interactive whiteboard system – Model X880i5/880i5-SMP

**RCA jacks** The following RCA connection options are available:

System	Connection options
SBX880i5	RCA jacks for audio and composite video inputs are on the separate RCA connector pod included in the ECP box.
SB880i5-SMP	RCA jacks for audio and composite video inputs are on the projector.

**Volume controls** Controls sound range

**Power button** Turns the interactive whiteboard and projector on and off

**Input selection button** Select the projector video and audio inputs from the available sources:

- VGA 1 (default primary computer)
- VGA 2 (default secondary computer)
- Composite
- S-video
- HDMI

## Warranty

**Interactive whiteboard** Your interactive whiteboard has a two-year limited equipment warranty or a five-year limited equipment warranty upon registration. See warranty documents for details.

**Projector** Your projector has a three-year limited equipment warranty and the projector lamp has a 1000-hour/one-year warranty.

**ECP** Your ECP has a three-year limited equipment warranty.

**Accessories** Your accessories have a one-year warranty.

## Storage and operating specifications

- Storage**
- Maximum storage temperature: 122°F (50°C) with up to 80% humidity, non-condensing
  - Minimum storage temperature: -4°F (-20°C) with up to 80% humidity, non-condensing

- Operation**
- At standard fan speed: 41°F to 95°F (5°C to 35°C) from 0' to 6000' (0 m to 1800 m)
  - At high fan speed: 41°F to 95°F (5°C to 35°C) from 6000' to 6800' (1800 m to 2100 m)
  - In Service mode: 41°F to 95°F (5°C to 35°C) from 6800' to 9800' (2100 m to 3000 m)

## SPECIFICATIONS

SMART Board interactive whiteboard system – Model X880i5/880i5-SMP

### Computer requirements

You need to connect a computer to your interactive whiteboard. Choose one of the following options:

- SBX880i5** A computer or laptop with either a Windows® operating system or Mac operating system software and SMART Notebook software installed. For a complete list of computer requirements, go to [smarttech.com/downloads](http://smarttech.com/downloads) and browse to the latest SMART Notebook release notes applicable to your operating system.
- SB880i5-SMP** A computer or laptop with a Windows operating system and SMART Meeting Pro software installed. For a complete list of computer requirements, go to [smarttech.com/downloads](http://smarttech.com/downloads) and browse to the latest SMART Meeting Pro release notes applicable to your operating system.

#### **i** NOTE

If the computer or laptop doesn't have SMART Meeting Pro software installed, it can be connected to the interactive display using the SMART GoWire™ auto-launch cable included with this product. For a complete list of computer requirements, go to [smarttech.com/downloads](http://smarttech.com/downloads) and browse to the latest SMART GoWire cable release notes applicable to your operating system.

### SMART order numbers

- SBX880i5** 77" (195.6 cm) diagonal SMART Board interactive whiteboard with a SMART UF75 projector system. Includes a SMART Notebook software installation DVD.
- SB880i5-SMP** 77" (195.6 cm) diagonal SMART Board interactive whiteboard with a SMART UF75 projector system. Includes a SMART SMART GoWire cable containing SMART Meeting Pro and Bridgit® conferencing software. An SBX800 CAT5-XT USB extender is also included (see *Cables* on page 2).
- 20-01501-20** Lamp module replacement kit for SMART UF75 and SMART UF75w projectors

### Optional accessories

For more information on additional accessories for your SMART Board 880i5 interactive whiteboard, see [smarttech.com/accessories](http://smarttech.com/accessories).

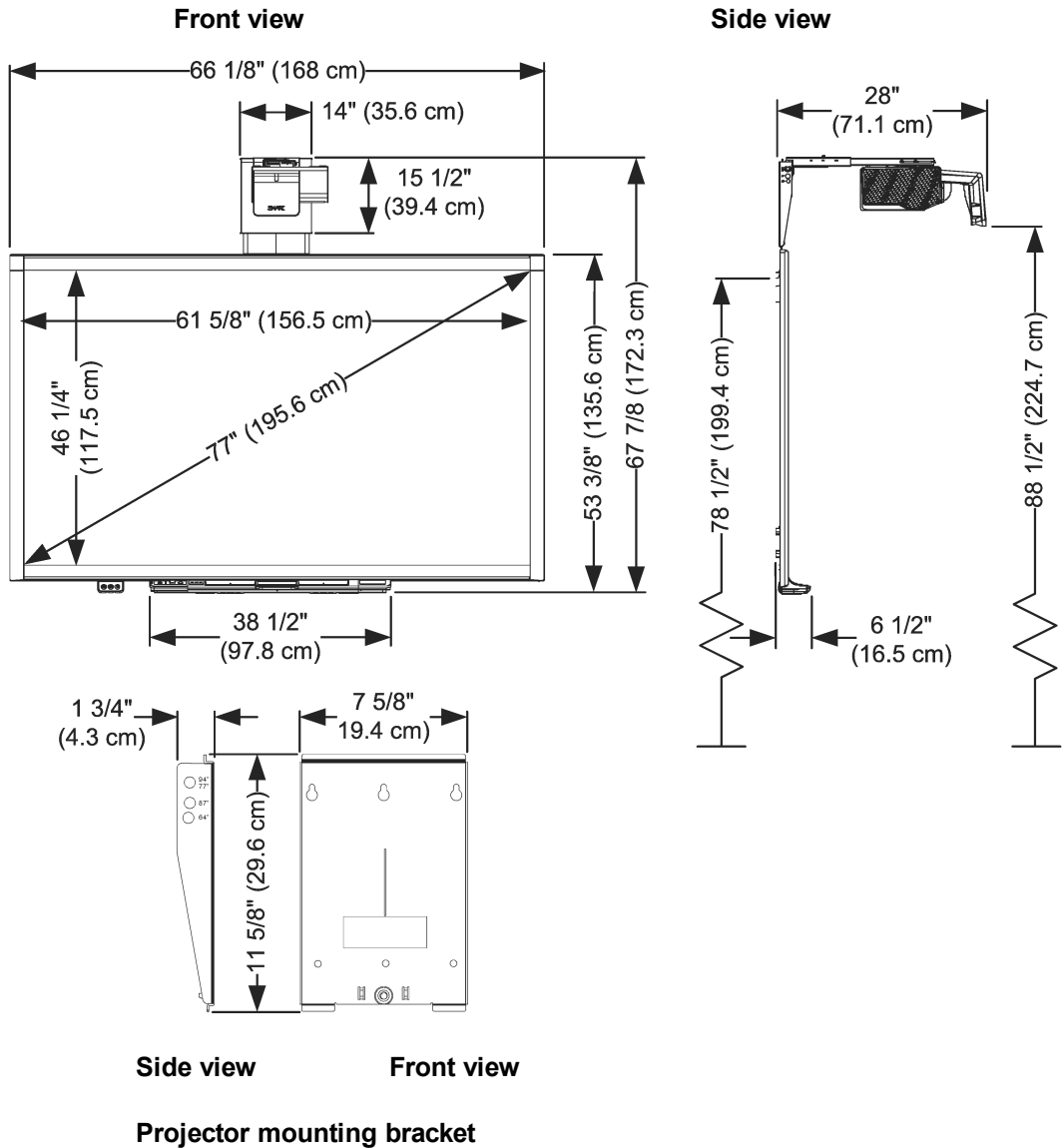


## SPECIFICATIONS

SMART Board interactive whiteboard system – Model X880i5/880i5-SMP

### Physical dimensions

The images shown are for the SBX880i5 model.



[smarttech.com/support](http://smarttech.com/support)  
[smarttech.com/contactsupport](http://smarttech.com/contactsupport)

© 2011–2012 SMART Technologies ULC. All rights reserved. SMART Board, SMART Notebook, SMART Meeting Pro, SMART GoWire, DViT, Bridgit, smarttech, the SMART logo and all SMART taglines are trademarks or registered trademarks of SMART Technologies ULC in the U.S. and/or other countries. DLP Link, DLP, BrilliantColor and Texas Instruments are trademarks of Texas Instruments. All other third-party product and company names may be trademarks of their respective owners. One or more of the following patents: US6320597; US6326954; US6540366; US6563491; US6741267; US6803906; US6829372; US6919880; US6954197; US7151533; US7184030; US7236162; US7411575; US7532206; US7619617; US7643006; US7692625; US7757001; US7880720; USD612396; USD616462; USD617332; USD635189 and USD636183. Other patents pending. Contents are subject to change without notice. 07/2012.

# Specifications

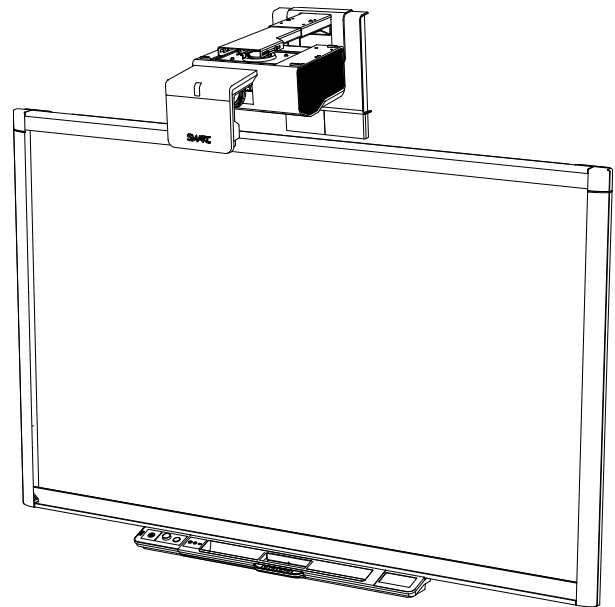
## SMART Board® interactive whiteboard system

### Model X885i5/885i5-SMP

#### Physical specifications

##### SMART Board® 885 interactive whiteboard

Size	78 1/2" W × 53 3/8" H × 6 1/2" D (199.4 cm × 135.6 cm × 16.5 cm)
Active screen area (maximum interactive projected image)	74" W × 46 1/4" H (188 cm × 117.5 cm) 87" (221 cm) diagonal 16:10 aspect ratio
Weight	60 lb. (27.2 kg)
Shipping size	4 3/8" W × 56 3/4" H × 88" D (11.1 cm × 144.1 cm × 223.5 cm)
Shipping weight	
SBX885i5	1 unit: 90 lb. (40.8 kg)
SB885i5-SMP	1 unit: 95 lb. (43.1 kg)



All dimensions +/- 1/8" (0.3 cm). All weights +/- 2 lb. (0.9 kg).

##### SMART UF75w projector

Projector	14" W × 15 1/2" H × 27" D (35.6 cm × 39.4 cm × 68.6 cm)
Remote control	1 5/8" W × 3 3/8" H × 1/4" D (4 cm × 8.6 cm × 0.7 cm)
Weight	17 lb. (7.7 kg)

Extraordinary made simple®

**SMART**®

## SPECIFICATIONS

SMART Board interactive whiteboard system – Model X885i5/885i5-SMP

Shipping weight	32 lb. (14.5 kg)
Shipping size	20" W × 15 1/2" H × 24" D (50.8 cm × 39.4 cm × 61 cm)

### Extended control panel (ECP)–SBX885i5 only

Size	6 5/8" W × 2 1/8" H × 4 5/8" D (16.8 cm × 5.5 cm × 11.9 cm)
Shipping size	16 1/2" W × 14" H × 3" D (41.9 cm × 35.6 cm × 7.6 cm)
Shipping weight	5 lb. 11 oz. (2.6 kg)

### **i** NOTE

The SB885i5-SMP ships with the ECP and SBX800 CAT5-XT USB extender already attached to the pen tray of the SMART Board 885 interactive whiteboard.

## Standard features

<b>Software</b>	The following software options are available, either: SBX885i5 SMART Notebook™ collaborative learning software including SMART Product Drivers OR SB885i5-SMP SMART Meeting Pro™ software including SMART Product Drivers
<b>Environmental compliance</b>	EU REACH, RoHS, WEEE, Battery and Packaging, US Packaging and China EIP
<b>Regulatory certification</b>	CB, CCC, CE, C-Tick, FCC, GOST-R, KC, NOM, PSB, PSE, TUV-GS, UL/CSA (U.S./Canada) and VCCI
<b>Power consumption</b>	290 W average in Standard mode and less than 1 W in Standby mode in accordance with EuP regulations
<b>Cables</b>	The following cables are included with each system option:

System	Cables
SBX885i5	Includes the necessary cables to connect the projector to the ECP. However, you must supply the appropriate input cables for your devices.

## SPECIFICATIONS

SMART Board interactive whiteboard system – Model X885i5/885i5-SMP

System	Cables
SB885i5-SMP	<ul style="list-style-type: none"><li>Includes the necessary cables to connect the projector to the ECP. However, you must supply the appropriate input cables for your devices.</li><li>An SBX800 CAT5-XT USB extender is included and enables you to connect your interactive whiteboard pen tray to a guest computer up to 50' (15 m) away using a Cat 5, Cat 5e or Cat 6 cable (not included). For more information, see <a href="http://smarttech.com/kb/154489">smarttech.com/kb/154489</a>.</li></ul>

### Interactive whiteboard features

#### Touch and gestures

Perform mouse functions with your finger, and write and erase digital ink with a pen tray pen or the eraser. The Object Awareness feature enables you to pick up a pen, and then write, select or erase without replacing the pen. This interactive whiteboard also features gesture capability, providing a natural and flexible way to interact with content.

#### Multitouch capabilities

Users can interact with the interactive whiteboard using the included pens or other objects, or by using their fingers to write and perform gestures.

The following multitouch capabilities are available:

System	Multitouch capability
SBX885i5	Support for four simultaneous touches enables up to four users to interact with the interactive whiteboard.
SB885i5-SMP	Support for two simultaneous touches enables up to two users to interact with the interactive whiteboard.

#### Pen tray

Optical sensors in the pen tray detect when you lift a pen or eraser from the tray. Color buttons on the pen tray enable you to select pen color.

The following pen tray features are available:

System	Features
SBX885i5	Removable end caps for optional accessories
SB885i5-SMP	The ECP is installed to the pen tray. The pen tray also features the SBX800 CAT5-XT USB extender.

#### Pen and eraser

Two ergonomic pens with a comfort grip and a rectangular eraser

#### Resolution

Touch resolution is approximately 4000 × 4000.

#### Screen surface

The hard-coated steel surface is durable, optimized for projection, compatible with dry-erase markers and easily cleaned.

## SPECIFICATIONS

SMART Board interactive whiteboard system – Model X885i5/885i5-SMP

**Digitizing technology** Four-camera DViT® (Digital Vision Touch) technology

**Frame finish** Two-tone gray (Dark gray approximates PANTONE® Charcoal Gray 18-0601 TPX. Light gray approximates PANTONE Cool Gray 6C.)

**Wall-mount bracket** Two 32" (81.3 cm) wide brackets with 10 screws and toggle bolt anchors to support a wall-mounted interactive whiteboard

**Computer connection** The following computer connection methods are available:

System	Connection method
SBX885i5	16' (5 m) USB 2.0 cable to room computer
SB885i5-SMP	<ul style="list-style-type: none"><li>16' (5 m) USB 2.0 cable and 7' (2.1 m) SMART GoWire™ auto-launch cable to room computer</li><li>50' (15.2 m) SBX800 CAT5-XT USB extender to guest computer</li></ul>

**Power requirements** The interactive whiteboard system obtains power from the projector through the ECP cable.

## SMART UF75w projector features

**System components** SMART UF75w projector, wall mount, ECP, remote control and all input cables necessary to connect the ECP to the projector

**Image adjustment** The wall mount includes mechanical adjustments for aligning the projector image with the interactive whiteboard. The projector also has a focus lever and an on-screen menu for adjusting brightness, contrast and other image-related attributes.

**Display type** WXGA 1280 × 800

**Display technology** The projection engine uses DLP® technology by Texas Instruments™, providing BrilliantColor™ performance and quality Gamma 2.2 correction with Bright Room, Dark Room, sRGB, User and SMART Presentation modes.

**3D technology** 3D-ready projector using DLP Link™ technology

**Brightness** Estimated at 2500 lumens (typical) in Standard 230 W mode at a CCT of 6500 K by the IEC method. Estimated at 1875 lumens in Economy 190 W mode.

**Lamp life** 2500 hours in Standard 230 W mode. 4000 hours in Economy 190 W mode.

**Aspect ratio** 16:10 with support for 16:9, and 4:3 and 5:4 ratio with scaling.

**Contrast ratio** 2900:1

## SPECIFICATIONS

SMART Board interactive whiteboard system – Model X885i5/885i5-SMP

**Video system compatibility** NTSC, NTSC 4:43, PAL, PAL-N, PAL-M and SECAM

**Video interface compatibility** HDCP compliant HDMI, Composite, S-video, VESA® RGB with additional interface support for Component YPbPr and Component YCbCr inputs with the proper adapters (not included)

**Video format compatibility** The projector has a native 16:10 aspect ratio WXGA resolution and supports VGA, SVGA, SXGA, Quad VGA, SXGA+ and UXGA formats with scaling.

**Synchronization** Auto image synchronization (auto tracking, frequency, position adjustment, source detect and phase detect)

**Mounting hardware** Includes hardware for mounting the projector to framed and solid walls. Also includes a safety tether.

### Input/output connections

Connector	Connects to
Power	Main power source
4-pin power mini-DIN 5V/2A output	ECP cable harness
7-pin mini-DIN	ECP cable harness
DB9 RS-232F	ECP cable harness
DB15F RGB video input (VGA 1)	Default primary computer (cable not included)
DB15F RGB video input (VGA 2)	Default secondary computer cable harness
3.5 mm phone jack audio input (×2)	Pen tray (For primary and secondary computer audio output. Cable not included.)
DB15F RGB video output (VGA Out)	Optional secondary display (cable not included)
3.5 mm phone jack audio output	External audio system (cable not included)
RCA composite video input (and left and right RCA audio input)	Video and audio source (cable not included)
4-pin mini-DIN S-video input (and left and right RCA audio input)	Video and audio source (cable not included)
HDMI input	High-definition audio/video source (cable not included)
RJ45	Network (for web page management and SNMP access, cable not included)
USB B	Computer (for service access only, cable not included)

## SPECIFICATIONS

SMART Board interactive whiteboard system – Model X885i5/885i5-SMP

### Projector fan operating temperatures

- Standard speed: 41°F to 95°F (5°C to 35°C) from 0' to 6000' (0 m to 1800 m)
- High speed: 41°F to 86°F (5°C to 30°C) from 6000' to 6800' (1800 m to 2100 m)

### Projector noise

36 dBA at high speed and 31 dBA at standard speed, measured using the JIS method

### Power requirements

100V–240V AC at 50 Hz–60 Hz

### Power cable

Includes a 14' 9" (4.5 m) power cable

### External control

Both serial (via RS-232) and SNMP (via Ethernet) control are supported. The RS-232 control connector is configured to accept codes from your computer or an optional room control system.

The following system connection options are available:

System	Connection options
SBX885i5	4-pin connector on ECP for RS-232 protocol room control systems. The cable is available separately (part number SBX8-CTRL) from your authorized SMART reseller ( <a href="http://smarttech.com/wheretobuy">smarttech.com/wheretobuy</a> ).
SB885i5-SMP	4-pin connector on ECP for RS-232 protocol room control systems. The cable is included.

### Remote control

An alternative method of controlling the projector and adjusting the projector settings

### Theft protection

The projector system features an optional padlock ring to prevent theft. You can use the Kensington® security slot to affix the system to a wall as a visual and physical theft deterrent.

## ECP features

### Input/output connections

Connector	Connects to:
RJ11 6-wire	Pen tray
11-pin	ECP cable harness
4-pin	Optional room control system adapter (included with SB885i5-SMP only)
USB B	Pen tray
USB mini-B	Primary computer (not included) using the included cable
USB mini-B	Guest laptop (not included)

## SPECIFICATIONS

SMART Board interactive whiteboard system – Model X885i5/885i5-SMP

Connector	Connects to:
USB A	USB drive (not included)

**i NOTE**  
This works with the primary computer only.

**RCA jacks** The following RCA connection options are available:

System	Connection options
SBX885i5	RCA jacks for audio and composite video inputs are on the separate RCA connector pod included in the ECP box.
SB885i5-SMP	RCA jacks for audio and composite video inputs are on the projector.

**Volume controls** Controls sound range

**Power button** Turns the interactive whiteboard and projector on and off

**Input selection button** Select the projector video and audio inputs from the available sources:

- VGA 1 (default primary computer)
- VGA 2 (default secondary computer)
- Composite
- S-video
- HDMI

## Warranty

**Interactive whiteboard** Your interactive whiteboard has a two-year limited equipment warranty or a five-year limited equipment warranty upon registration. See warranty documents for details.

**Projector** Your projector has a three-year limited equipment warranty and the projector lamp has a 1000-hour/one-year warranty.

**ECP** Your ECP has a three-year limited equipment warranty.

**Accessories** Your accessories have a one-year warranty.

## Storage and operating specifications

- Storage**
- Maximum storage temperature: 122°F (50°C) with up to 80% humidity, non-condensing
  - Minimum storage temperature: -4°F (-20°C) with up to 80% humidity, non-condensing



## SPECIFICATIONS

SMART Board interactive whiteboard system – Model X885i5/885i5-SMP

### Operation

- At standard fan speed: 41°F to 95°F (5°C to 35°C) from 0' to 6000' (0 m to 1800 m)
- At high fan speed: 41°F to 95°F (5°C to 35°C) from 6000' to 6800' (1800 m to 2100 m)
- In Service mode: 41°F to 95°F (5°C to 35°C) from 6800' to 9800' (2100 m to 3000 m)

## Computer requirements

You need to connect a computer to your interactive whiteboard. Choose one of the following options:

- SBX885i5** A computer or laptop with either a Windows® operating system or Mac operating system software and SMART Notebook software installed. For a complete list of computer requirements, go to [smarttech.com/downloads](http://smarttech.com/downloads) and browse to the latest SMART Notebook release notes applicable to your operating system.
- SB885i5-SMP** A computer or laptop with a Windows operating system and SMART Meeting Pro software installed. For a complete list of computer requirements, go to [smarttech.com/downloads](http://smarttech.com/downloads) and browse to the latest SMART Meeting Pro release notes applicable to your operating system.

### **i** NOTE

If the computer or laptop doesn't have SMART Meeting Pro software installed, it can be connected to the interactive display using the SMART GoWire™ auto-launch cable included with this product. For a complete list of computer requirements, go to [smarttech.com/downloads](http://smarttech.com/downloads) and browse to the latest SMART GoWire cable release notes applicable to your operating system.

## SMART order numbers

- SBX885i5** 87" (221 cm) diagonal SMART Board interactive whiteboard with a SMART UF75 projector system. Includes a SMART Notebook software installation DVD.
- SB885i5-SMP** 87" (221 cm) diagonal SMART Board interactive whiteboard with a SMART UF75 projector system. Includes a SMART GoWire cable containing SMART Meeting Pro and Bridgit® conferencing software. An SBX800 CAT5-XT USB extender is also included (see *Cables* on page 2).
- 20-01501-20** Lamp module replacement kit for SMART UF75 and SMART UF75w projectors

## Optional accessories

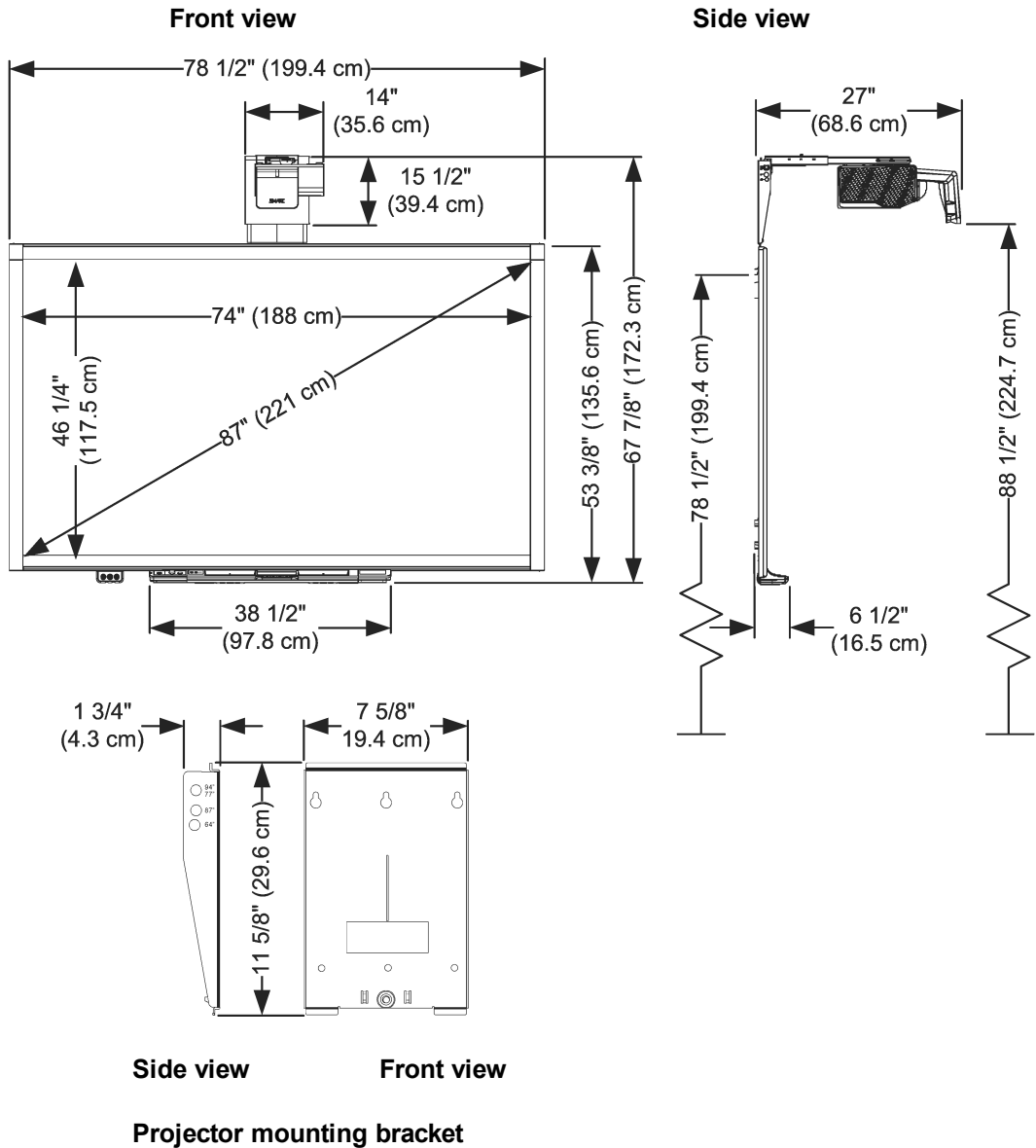
For more information on additional accessories for your SMART Board 885i5 interactive whiteboard, see [smarttech.com/accessories](http://smarttech.com/accessories).

## SPECIFICATIONS

SMART Board interactive whiteboard system – Model X885i5/885i5-SMP

### Physical dimensions

The images shown are for the SBX885i5 model.



[smarttech.com/support](http://smarttech.com/support)  
[smarttech.com/contactsupport](http://smarttech.com/contactsupport)

© 2011–2012 SMART Technologies ULC. All rights reserved. SMART Board, SMART Notebook, SMART Meeting Pro, SMART GoWire, DViT, Bridgit, smarttech, the SMART logo and all SMART taglines are trademarks or registered trademarks of SMART Technologies ULC in the U.S. and/or other countries. DLP Link, DLP, BrilliantColor and Texas Instruments are trademarks of Texas Instruments. All other third-party product and company names may be trademarks of their respective owners. One or more of the following patents: US6320597; US6326954; US6540366; US6563491; US6741267; US6803906; US6829372; US6919880; US6954197; US7151533; US7184030; US7236162; US7411575; US7532206; US7619617; US7643006; US7692625; US7757001; US7880720; USD612396; USD616462; USD617332; USD635189 and USD636183. Other patents pending. Contents are subject to change without notice. 07/2012.

# Specifications

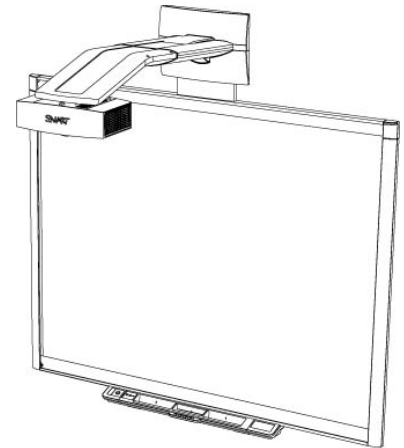
## SMART Board™ interactive whiteboard system

### Model SBX880i4

#### Physical specifications

##### SMART Board™ X880 interactive whiteboard

Size	66 1/8" W × 51 1/8" H × 6 1/2" D (168 cm × 129.9 cm × 16.5 cm)
Active screen area (maximum interactive, projected image)	61 5/8" W × 46 1/4" H (156.5 cm × 117.5 cm)
	77" (195.6 cm) diagonal
Weight	52 lb. (23.7 kg)
Shipping size	75 1/2" W × 56 1/8" H × 4 3/8" D (191.8 cm × 142.6 cm × 11.1 cm)
Shipping weight	76 lb. (34.5 kg)



All dimensions +/- 1/8" (0.3 cm). All weights +/- 2 lb. (0.9 kg).

##### SMART UF65 projector system

Projector with boom	18 1/2" W × 15 1/2" H × 50 1/4" D (47 cm × 39.4 cm × 127.6 cm)
Remote control	1 5/8" W × 3 3/8" H × 1/4" D (4.1 cm × 8.6 cm × 0.6 cm)
Weight	13 lb. 8 oz. (6.1 kg)
Shipping size (projector box)	18 1/2" W × 15 1/4" H × 8 5/16" D (47 cm × 38.7 cm × 21.1 cm)
Shipping weight (projector box)	11 lb. (5 kg)
Shipping size (boom box)	39 3/4" W × 9 1/2" H × 16" D (101 cm × 24.1 cm × 40.6 cm)

## SPECIFICATIONS

SMART Board interactive whiteboard system – Model SBX880i4

Shipping weight  
(boom box) 24 lb. 4 oz. (11 kg)

### Extended Control Panel (ECP)

Size 6 5/8" W × 2 1/8" H × 4 5/8" D (16.8 cm × 5.5 cm × 11.9 cm)  
Shipping size 16 1/2" W × 14" H × 3" D (41.9 cm × 35.6 cm × 7.6 cm)  
Shipping weight 5 lb. 11 oz. (2.6 kg)

## Standard features

<b>System requirements</b>	Windows® operating systems or Mac operating system software as detailed in <a href="http://smarttech.com/kb/126571">smarttech.com/kb/126571</a> .
<b>Software</b>	Two software CDs are included with your interactive whiteboard: SMART Product Drivers and SMART Notebook™ collaborative learning software. Software upgrades are available from <a href="http://smarttech.com/software">smarttech.com/software</a> .
<b>Environmental compliance</b>	China EIP, EU WEEE, CPSIA, US CPSIA, Packaging, Batteries and EU RoHS
<b>Regulatory certification</b>	CSA (U.S./Canada), CB, CE, FCC and C-Tick
<b>Warranty</b>	The projector and ECP have a three-year limited equipment warranty. The SMART UF65 projector lamp has a 1000 hour/one-year warranty. Your interactive whiteboard has a two-year limited equipment warranty or a five-year limited equipment warranty upon registration. See warranty documents for details.
<b>Power consumption</b>	262 W when operating, 3.3 W in Standby mode
<b>Cables</b>	Includes the necessary cables to connect the projector to the ECP. However, you must supply the appropriate input cables for your devices.

## Interactive whiteboard features

<b>Touch and gestures</b>	Perform mouse functions with your finger, and write and erase digital ink with a pen tray pen or the eraser. The Object Awareness feature enables you to pick up a pen, and then write, select or erase without replacing the pen. This interactive whiteboard also features gesture capability, providing a natural and flexible way to interact with content.
<b>Dual sketch capabilities</b>	Enables two users to draw simultaneously on the interactive whiteboard surface.

## SPECIFICATIONS

SMART Board interactive whiteboard system – Model SBX880i4

<b>Pen tray</b>	Removable end caps for optional accessories. Optical sensors in the pen tray detect when a pen or eraser is lifted from the tray. Color buttons on the pen tray enable you to select pen color.
<b>Pens and eraser</b>	Two ergonomic pens with a comfort grip and a rectangular eraser
<b>Resolution</b>	Touch resolution is approximately 4000 × 4000.
<b>Screen surface</b>	The hard-coated steel surface is durable, optimized for projection, compatible with dry-erase markers and easily cleaned.
<b>Digitizing technology</b>	Four camera DVIT™ (Digital Vision Touch) technology.
<b>Frame finish</b>	Two-tone gray. (Dark gray approximates Pantone® Charcoal Gray 18-0601 TPX. Light gray approximates Pantone Cool Grey 6C.)
<b>Wall-mount bracket</b>	32" (81.3 cm) wide bracket, five screws and five drywall anchors to support your wall-mounted interactive whiteboard
<b>Computer connection</b>	16' (5 m) USB 2.0 cable
<b>Power requirements</b>	The pen tray obtains power from the projector.
<b>SMART UF65 projector system features</b>	
<b>System components</b>	SMART UF65 projector, boom mount with a limit strap (including a controlled-collapse feature), ECP, remote control and all necessary input cables from the ECP to the projector
<b>Image adjustment</b>	The mounting boom includes three mechanical adjustments for aligning the projector image with your interactive whiteboard. The projector also has a focus lever and a digital on-screen menu for brightness, contrast and other image attributes.
<b>Display type</b>	True XGA 1024 × 768 projector
<b>Display technology</b>	The projection engine uses DLP® technology by Texas Instruments™, providing Brilliant Color™ performance and quality Gamma 2.2 correction with Bright Room, Dark Room, sRGB, User and SMART Presentation modes, and a six-segment color wheel.
<b>3D technology</b>	3D-ready projector using DLP Link™ technology
<b>Brightness</b>	Estimated at 2000 lumens (typical) at a CCT of 6500 K by the IEC method
<b>Lamp life</b>	3000 hours (Standard 200 W mode) or 5000 hours (Economy 160 W mode)
<b>Aspect ratio</b>	Native 4:3 aspect ratio, with support for 16:9, 16:10 and 5:4 aspect ratios
<b>Contrast ratio</b>	2000:1
<b>Video system compatibility</b>	NTSC, NTSC 4.43, PAL, PAL-N, PAL-M, SECAM

## SPECIFICATIONS

SMART Board interactive whiteboard system – Model SBX880i4

**Video interface compatibility** Composite, S-video, and VESA RGB, with additional interface support for Component YPbPr and Component YCbCr inputs with the proper adapters (not included)

**Video format compatibility** Native 4:3 aspect ratio XGA projector resolution. With scaling, supports VGA, SVGA, SXGA, Quad VGA, SXGA+ and UXGA formats.

**Synchronization** Auto image synchronization (auto tracking, frequency, position adjustment, source detect and phase detect)

**Mounting hardware** Includes hardware for mounting the SMART UF65 projector on framed and solid walls. Includes a safety tether and limit strap.

**Projector mounting template** The template ensures simple installation and accurate alignment between the SMART UF65 projector and your SMART Board X880 interactive whiteboard.

**Installation instructions** The installation instructions for your SMART Board X880i4 interactive whiteboard system are included in the ECP box. Don't use the installation instructions included in your SMART Board interactive whiteboard box when installing the SMART Board X880i4 interactive whiteboard system. Additional documentation is available from [smarttech.com/support](http://smarttech.com/support).

### Projector connections

Connector	Connect to:
Power	Power supply
4-pin power mini-DIN 5V/2A output	ECP harness cable
7-pin mini-DIN	ECP harness cable
RS-232F (DB9)	ECP harness cable
DB15F RGB video input (VGA 1)	Primary computer (not included)
DB15F RGB video input (VGA 2)	Secondary computer (not included)
3.5 mm stereo audio-input (×2)	Stereo Y cable
DB15F RGB video output (VGA Out)	Secondary display (not included)
3.5 mm stereo audio-output	Speakers (not included)
RCA composite video input (and left and right RCA audio input)	Video source (not included) through RCA connector pod
4-pin mini-DIN S-video input (and left and right RCA audio input)	Video source (not included)
RJ45 network	Network (for SNMP access)
USB B	Computer (for service access)

**Projector fan operating temperatures**

- Standard speed – 0' to 6000' (0 m to 1800 m): 41°F to 95°F (5°C to 35°C)
- High speed – 6000' to 6800' (1800 m to 2100 m): 41°F to 86°F (5°C to 30°C)

**Projector noise** 36 dBA (high fan speed) or 31 dBA (standard fan speed), measured using the JIS method

**Power requirements** 100V AC to 240V AC, at 50 Hz to 60 Hz

## SPECIFICATIONS

SMART Board interactive whiteboard system – Model SBX880i4

<b>Power cable</b>	Includes a 14' 9" (4.5 m) power cable
<b>External control</b>	4-pin connector on ECP for RS-232 protocol room control systems. The cable is available separately from your authorized SMART reseller ( <a href="http://smarttech.com/wheretobuy">smarttech.com/wheretobuy</a> ).
<b>Alert broadcast feature</b>	Enables administrators to send notification messages to network-connected SMART UF65 projector systems for immediate on-screen display.
<b>Remote control</b>	Provides an alternative method of controlling SMART UF65 projector settings
<b>Theft protection</b>	<p>The SMART UF65 projector system features an optional padlocked ring to prevent theft.</p> <p>There are no projector menu options on the ECP. Keep your remote control in a safe place because the ECP is not a substitute for the remote control.</p> <p>A Kensington® security lock slot is provided to secure the system to a wall as a visual and physical theft deterrent.</p>

### ECP features

#### Input/output connections

Connector	Connect to:
RJ11 6-wire	Pen tray
USB B	Pen tray
11-pin	ECP harness cable
4-pin	Room control
Mini USB B	Primary computer (not included) using the provided cable
Mini USB B	Secondary computer (not included)
USB A	USB drive (not included)

#### NOTE

RCA jacks for audio and composite video inputs are available on the separate RCA connector pod, which is included in the ECP box.

<b>Volume control</b>	Controls sound range
<b>Power button</b>	Turns the interactive whiteboard and projector on and off

## SPECIFICATIONS

SMART Board interactive whiteboard system – Model SBX880i4

**Input selection button** Select the projector video and audio inputs from the available sources:

- VGA 1 (primary computer)
- VGA 2 (secondary computer)
- Composite
- S-video

## Storage and operating specifications

**Storage**

- Maximum storage temperature: 122°F (50°C)
- Minimum storage temperature: -40°F (-40°C)

**Operation**

- Using standard fan speed, 41°F to 95°F (5°C to 35°C) from 0' to 6000' (0 m to 1800 m)
- Using high fan speed, 41°F to 86°F (5°C to 30°C) from 6000' to 6800' (1800 m to 2100 m)
- In Service mode, 41°F to 86°F (5°C to 30°C) from 6800' to 9800' (2100 m to 3000 m)

## SMART order numbers

**SBX880i4** 77" (195.6 cm) diagonal SMART Board X880 interactive whiteboard with a SMART UF65 projector system

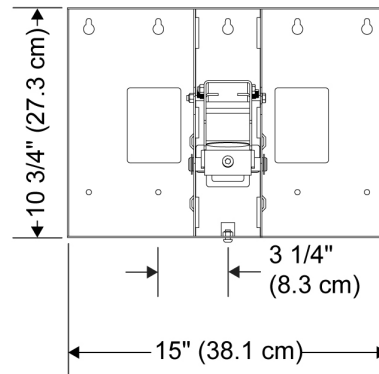
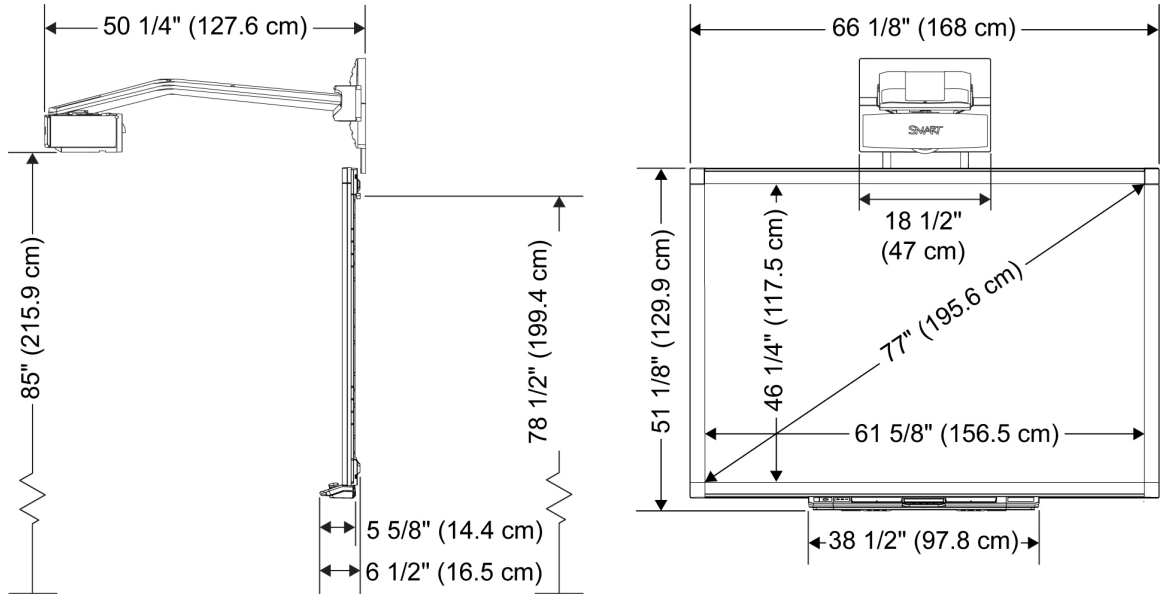
**20-01032-20** Replacement projector lamp



## SPECIFICATIONS

SMART Board interactive whiteboard system – Model SBX880i4

### Physical dimensions



[www.smarttech.com/support](http://www.smarttech.com/support) | [www.smarttech.com/contactsupport](http://www.smarttech.com/contactsupport)  
Support +1.403.228.5940 or Toll Free 1.866.518.6791 (U.S./Canada)

© 2010-2011 SMART Technologies ULC. All rights reserved. SMART Board, SMART Notebook, DVIT, smarttech, the SMART logo and all SMART taglines are trademarks or registered trademarks of SMART Technologies ULC in the U.S. and/or other countries. Brilliant Color, DLP, DLP Link and Texas Instruments are trademarks of Texas Instruments. All other third-party product and company names may be trademarks of their respective owners. Patent No. US5448263; US6141000; US6337681; US6421042; US6540366; US6563491; US6674424; US6747636; US6760009; US6803906; US6829372; US6919880; US6954197; US7184030; US7236162; US7289113; US7342574; US7379622; US7411575; US7532206; US7619617; US7626577; US7643006; US7692625; USD602972; CA2058219; CA2386094; EP1297488; EP1739528; JP4033582; JP4052498; JP4057200; ZL0181236.0; and DE60124549. Other patents pending. Contents are subject to change without notice. 09/2011.

# Specifications

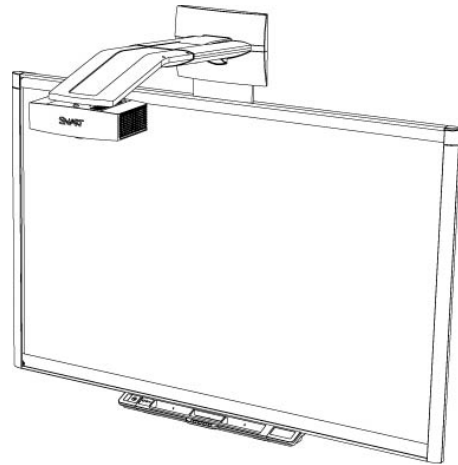
## SMART Board™ interactive whiteboard system

### Model SBX885i4

#### Physical specifications

##### SMART Board™ X885 interactive whiteboard

Size	78 1/2" W × 51 1/8" H × 6 1/2" D (199.4 cm × 129.9 cm × 16.5 cm)
Active screen area (maximum interactive, projected image)	74" W × 46 1/4" H (188 cm × 117.5 cm) 87" (221 cm) diagonal 16:10 aspect ratio
Weight	60 lb. (27.2 kg)
Shipping size	87 3/4" W × 56 1/8" H × 4 3/8" D (222.9 cm × 142.6 cm × 11.1 cm)
Shipping weight	90 lb. (40.8 kg)



All dimensions +/- 1/8" (0.3 cm). All weights +/- 2 lb. (0.9 kg).

##### SMART UF65w projector system

Projector with boom	18 1/2" W × 15 1/2" H × 50 1/4" D (47 cm × 39.4 cm × 127.6 cm)
Remote control	1 5/8" W × 3 3/8" H × 1/4" D (4.1 cm × 8.6 cm × 0.6 cm)
Weight	13 lb. 8 oz. (6.1 kg)
Shipping size (projector box)	18 1/2" W × 15 1/4" H × 8 5/16" D (47 cm × 38.7 cm × 21.1 cm)
Shipping weight (projector box)	11 lb. (5 kg)
Shipping size (boom box)	39 3/4" W × 9 1/2" H × 16" D (101 cm × 24.1 cm × 40.6 cm)

## SPECIFICATIONS

SMART Board interactive whiteboard system – Model SBX885i4

Shipping weight (boom box) 24 lb. 4 oz. (11 kg)

### Extended Control Panel (ECP)

Size 6 5/8" W × 2 1/8" H × 4 5/8" D (16.8 cm × 5.5 cm × 11.9 cm)  
Shipping size 16 1/2" W × 14" H × 3" D (41.9 cm × 35.6 cm × 7.6 cm)  
Shipping weight 5 lb. 11 oz. (2.6 kg)

## Standard features

<b>System requirements</b>	Windows® operating systems or Mac operating system software as detailed in <a href="http://smarttech.com/kb/126571">smarttech.com/kb/126571</a> .
<b>Software</b>	Two software CDs are included with your interactive whiteboard: SMART Product Drivers and SMART Notebook™ collaborative learning software. Software upgrades are available from <a href="http://smarttech.com/software">smarttech.com/software</a> .
<b>Environmental compliance</b>	China EIP, EU WEEE, CPSIA, US CPSIA, Packaging, Batteries and EU RoHS
<b>Regulatory certification</b>	CSA (U.S./Canada), CB, CE, FCC and C-Tick
<b>Warranty</b>	The projector and ECP have a three-year limited equipment warranty. The SMART UF65w projector lamp has a 1000 hour/one-year warranty. Your interactive whiteboard has a two-year limited equipment warranty or a five-year limited equipment warranty upon registration. See warranty documents for details.
<b>Power consumption</b>	262 W when operating, 3.3 W in Standby mode
<b>Cables</b>	Includes the necessary cables to connect the projector to the ECP. However, you must supply the appropriate input cables for your devices.

## Interactive whiteboard features

<b>Touch and gestures</b>	Perform mouse functions with your finger, and write and erase digital ink with a pen tray pen or the eraser. The Object Awareness feature enables you to pick up a pen, and then write, select or erase without replacing the pen. This interactive whiteboard also features gesture capability, providing a natural and flexible way to interact with content.
<b>Dual sketch capabilities</b>	Enables two users to draw simultaneously on the interactive whiteboard surface.

## SPECIFICATIONS

SMART Board interactive whiteboard system – Model SBX885i4

<b>Pen tray</b>	Removable end caps for optional accessories. Optical sensors in the pen tray detect when a pen or eraser is lifted from the tray. Color buttons on the pen tray enable you to select pen color.
<b>Pens and eraser</b>	Two ergonomic pens with a comfort grip and a rectangular eraser
<b>Resolution</b>	Touch resolution is approximately 4000 × 4000.
<b>Screen surface</b>	The hard-coated steel surface is durable, optimized for projection, compatible with dry-erase markers and easily cleaned.
<b>Digitizing technology</b>	Four camera DVIT™ (Digital Vision Touch) technology.
<b>Frame finish</b>	Two-tone gray. (Dark gray approximates Pantone® Charcoal Gray 18-0601 TPX. Light gray approximates Pantone Cool Grey 6C.)
<b>Wall-mount bracket</b>	Includes two 32" (81.3 cm) wide brackets, 10 screws and 10 drywall anchors to support your wall-mounted interactive whiteboard
<b>Computer connection</b>	16' (5 m) USB 2.0 cable
<b>Power requirements</b>	The pen tray obtains power from the projector.
<b>SMART UF65w projector system features</b>	
<b>System components</b>	SMART UF65w projector, boom mount with a limit strap (including a controlled-collapse feature), ECP, remote control and all necessary input cables from the ECP to the projector
<b>Image adjustment</b>	The mounting boom includes three mechanical adjustments for aligning the projector image with your interactive whiteboard. The projector also has a focus lever and a digital on-screen menu for brightness, contrast and other image attributes.
<b>Display type</b>	Native resolution WXGA 1280 × 800 projector
<b>Display technology</b>	The projection engine uses DLP® technology by Texas Instruments™, providing Brilliant Color™ performance and quality Gamma 2.2 correction with Bright Room, Dark Room, sRGB, User and SMART Presentation modes, and a six-segment color wheel.
<b>3D technology</b>	3D-ready projector using DLP Link™ technology
<b>Brightness</b>	Estimated at 2000 lumens (typical) at a CCT of 6500 K by the IEC method
<b>Lamp life</b>	3000 hours (Standard 200 W mode) or 5000 hours (Economy 160 W mode)
<b>Aspect ratio</b>	Native 16:10 aspect ratio, with support for 4:3, 16:9 and 5:4 aspect ratios
<b>Contrast ratio</b>	2000:1
<b>Video system compatibility</b>	NTSC, NTSC 4.43, PAL, PAL-N, PAL-M, SECAM

## SPECIFICATIONS

SMART Board interactive whiteboard system – Model SBX885i4

<b>Video interface compatibility</b>	Composite, S-video, and VESA RGB, with additional interface support for Component YPbPr and Component YCbCr inputs with the proper adapters (not included)																												
<b>Video format compatibility</b>	Native 16:10 aspect ratio XGA projector resolution. With scaling, supports VGA, SVGA, SXGA, Quad VGA, SXGA+ and UXGA formats.																												
<b>Synchronization</b>	Auto image synchronization (auto tracking, frequency, position adjustment, source detect and phase detect)																												
<b>Mounting hardware</b>	Includes hardware for mounting the SMART UF65w projector on framed and solid walls. Includes a safety tether and limit strap.																												
<b>Projector mounting template</b>	The template ensures simple installation and accurate alignment between the SMART UF65w projector and your SMART Board X885 interactive whiteboard.																												
<b>Installation instructions</b>	The installation instructions for your SMART Board X885i4 interactive whiteboard system are included in the ECP box. Don't use the installation instructions included in your SMART Board interactive whiteboard box when installing the SMART Board X885i4 interactive whiteboard system. Additional documentation is available from <a href="http://smarttech.com/support">smarttech.com/support</a> .																												
<b>Projector connections</b>	<table border="1"><thead><tr><th>Connector</th><th>Connect to:</th></tr></thead><tbody><tr><td>Power</td><td>Power supply</td></tr><tr><td>4-pin power mini-DIN 5V/2A output</td><td>ECP harness cable</td></tr><tr><td>7-pin mini-DIN</td><td>ECP harness cable</td></tr><tr><td>RS-232F (DB9)</td><td>ECP harness cable</td></tr><tr><td>DB15F RGB video input (VGA 1)</td><td>Primary computer (not included)</td></tr><tr><td>DB15F RGB video input (VGA 2)</td><td>Secondary computer (not included)</td></tr><tr><td>3.5 mm stereo audio-input (×2)</td><td>Stereo Y cable</td></tr><tr><td>DB15F RGB video output (VGA Out)</td><td>Secondary display (not included)</td></tr><tr><td>3.5 mm stereo audio-output</td><td>Speakers (not included)</td></tr><tr><td>RCA composite video input (and left and right RCA audio input)</td><td>Video source (not included) through RCA connector pod</td></tr><tr><td>4-pin mini-DIN S-video input (and left and right RCA audio input)</td><td>Video source (not included)</td></tr><tr><td>RJ45 network</td><td>Network (for SNMP access)</td></tr><tr><td>USB B</td><td>Computer (for service access)</td></tr></tbody></table>	Connector	Connect to:	Power	Power supply	4-pin power mini-DIN 5V/2A output	ECP harness cable	7-pin mini-DIN	ECP harness cable	RS-232F (DB9)	ECP harness cable	DB15F RGB video input (VGA 1)	Primary computer (not included)	DB15F RGB video input (VGA 2)	Secondary computer (not included)	3.5 mm stereo audio-input (×2)	Stereo Y cable	DB15F RGB video output (VGA Out)	Secondary display (not included)	3.5 mm stereo audio-output	Speakers (not included)	RCA composite video input (and left and right RCA audio input)	Video source (not included) through RCA connector pod	4-pin mini-DIN S-video input (and left and right RCA audio input)	Video source (not included)	RJ45 network	Network (for SNMP access)	USB B	Computer (for service access)
Connector	Connect to:																												
Power	Power supply																												
4-pin power mini-DIN 5V/2A output	ECP harness cable																												
7-pin mini-DIN	ECP harness cable																												
RS-232F (DB9)	ECP harness cable																												
DB15F RGB video input (VGA 1)	Primary computer (not included)																												
DB15F RGB video input (VGA 2)	Secondary computer (not included)																												
3.5 mm stereo audio-input (×2)	Stereo Y cable																												
DB15F RGB video output (VGA Out)	Secondary display (not included)																												
3.5 mm stereo audio-output	Speakers (not included)																												
RCA composite video input (and left and right RCA audio input)	Video source (not included) through RCA connector pod																												
4-pin mini-DIN S-video input (and left and right RCA audio input)	Video source (not included)																												
RJ45 network	Network (for SNMP access)																												
USB B	Computer (for service access)																												
<b>Projector fan operating temperatures</b>	<ul style="list-style-type: none"><li>• Standard speed – 0' to 6000' (0 m to 1800 m): 41°F to 95°F (5°C to 35°C)</li><li>• High speed – 6000' to 6800' (1800 m to 2100 m): 41°F to 86°F (5°C to 30°C)</li></ul>																												
<b>Projector noise</b>	36 dBA (high fan speed) or 31 dBA (standard fan speed), measured using the JIS method																												
<b>Power requirements</b>	100V AC to 240V AC, at 50 Hz to 60 Hz																												

## SPECIFICATIONS

SMART Board interactive whiteboard system – Model SBX885i4

<b>Power cable</b>	Includes a 14' 9" (4.5 m) power cable
<b>External control</b>	4-pin connector on ECP for RS-232 protocol room control systems. The cable is available separately from your authorized SMART reseller ( <a href="http://smarttech.com/wheretobuy">smarttech.com/wheretobuy</a> ).
<b>Alert broadcast feature</b>	Enables administrators to send notification messages to network-connected SMART UF65w projector systems for immediate on-screen display.
<b>Remote control</b>	Provides an alternative method of controlling SMART UF65w projector settings
<b>Theft protection</b>	<p>The SMART UF65w projector system features an optional padlocked ring to prevent theft.</p> <p>There are no projector menu options on the ECP. Keep your remote control in a safe place because the ECP is not a substitute for the remote control.</p> <p>A Kensington® security lock slot is provided to secure the system to a wall as a visual and physical theft deterrent.</p>

### ECP features

#### Input/output connections

Connector	Connect to:
RJ11 6-wire	Pen tray
USB B	Pen tray
11-pin	ECP harness cable
4-pin	Room control
Mini USB B	Primary computer (not included) using the provided cable
Mini USB B	Secondary computer (not included)
USB A	USB drive (not included)

#### **i** NOTE

RCA jacks for audio and composite video inputs are available on the separate RCA connector pod, which is included in the ECP box.

<b>Volume control</b>	Controls sound range
<b>Power button</b>	Turns the interactive whiteboard and projector on and off

## SPECIFICATIONS

SMART Board interactive whiteboard system – Model SBX885i4

**Input selection button** Select the projector video and audio inputs from the available sources:

- VGA 1 (primary computer)
- VGA 2 (secondary computer)
- Composite
- S-video

## Storage and operating specifications

**Storage**

- Maximum storage temperature: 122°F (50°C)
- Minimum storage temperature: -40°F (-40°C)

**Operation**

- Using standard fan speed, 41°F to 95°F (5°C to 35°C) from 0' to 6000' (0 m to 1800 m)
- Using high fan speed, 41°F to 86°F (5°C to 30°C) from 6000' to 6800' (1800 m to 2100 m)
- In Service mode, 41°F to 86°F (5°C to 30°C) from 6800' to 9800' (2100 m to 3000 m)

## SMART order numbers

**SBX885i4** 87 1/8" (221.3 cm) diagonal SMART Board X885 interactive whiteboard with a SMART UF65w projector system

**20-01032-20** Replacement projector lamp







## SMART Board™ 600 series

### interactive whiteboard

“Young students and old thrive on the tactile experience of manipulating with their fingers. And I definitely appreciate being able to interact with the content – how could teaching and learning get any more hands-on?”

**Katie Morrow**, Technology Integration Specialist, O’Neill Public Schools, O’Neill, Nebraska, United States

Take your interactive experience to the next level. The SMART Board 600 series interactive whiteboard combines a flexible pen-and-finger system with exceptional ease of use. Adaptable, dependable and intuitive, the 600 series has a state-of-the-art design housed in a classic interactive whiteboard styling.

### Enable hands-on learning

The key to the 600 series is touch. Our Touch Recognition feature allows you to write with a pen, erase with the palm of your hand and move objects with your finger without having to press buttons, access on-screen menus or replace tools in the Pen Tray.

### Engage with ease

With a large touch-enabled surface, the SMART Board 600 series interactive whiteboard makes it easy to deliver dynamic lessons. You can present material using large, vibrant images and students can physically interact with lessons by moving letters, numbers, words and pictures with their fingers. In these and other ways, the 600 series meets the needs of both visual and kinesthetic learners.

### Multiply learning potential with multimedia

Add flexibility to your curriculum with Internet access and multimedia resources. Explore a website, give a science presentation or take a virtual field trip right from the interactive whiteboard. With the ability to add different types of multimedia files to your lessons, you can make learning a dynamic experience.

### Create compelling lessons

The 600 series interactive whiteboard comes with award-winning SMART Notebook™ collaborative learning software, which is the standard for creating, delivering and managing interactive lessons. SMART Notebook enables you to capture your work as a screenshot that you can edit, or save your notes directly into several software applications.



- 1** Touch-sensitive surface
- 2** USB connection
- 3** On-Screen Keyboard, right mouse and help buttons
- 4** Expansion slot
- 5** Pens
- 6** Eraser
- 7** Pen Tray

### Key features

#### Touch Recognition

Write with a pen, erase with your palm and move objects with your finger without having to access additional tools, on-screen menus or buttons.

#### Dual-user mode

The SMART Board 600 series interactive whiteboard is also available in a dual-touch model. With this model, two users can simultaneously write in their own separate workspaces in SMART Notebook software.

#### Digital ink

Write in digital ink over applications, websites and videos.

#### Save function

Instantly capture and save notes.

#### Durable surface

Experience the durability of the hard-coated polyester screen. It's tear proof, optimized for projection, compatible with dry-erase markers and easily cleaned with whiteboard cleaner.

#### Active screen size

Select from three standard sizes or two widescreen formats.

#### Wall-mount bracket or floor stand

Install your SMART Board interactive whiteboard simply and securely.

#### USB cable and extenders

Connect the SMART Board interactive whiteboard to your computer.

#### Expansion slot

Use the expansion slot to add hardware upgrades to your SMART Board interactive whiteboard.

#### Comes with SMART Notebook software

The 600 series comes with award-winning SMART Notebook software.

#### Warranty

The SMART Board interactive whiteboard has a five-year warranty upon product registration and a two-year standard warranty.

### Optional accessories

#### Floor stand

Mobile, height-adjustable floor stand that includes heavy-duty locking casters and stabilizing safety guards.

#### USB speakers

Two 15-watt, stereo-amplified speakers.

### Specifications

#### Active screen size

##### Wide format

Model	Area (diagonal)
690	94" (238.8 cm)
685	87" (221.0 cm)

##### Standard format

Model	Area (diagonal)
680	77" (195.6 cm)
660	64" (162.6 cm)
640	48" (121.9 cm)

Authorized reseller:

**SMART Technologies**

Toll Free 1.866.518.6791 (U.S./Canada)

or +1.403.228.5940

[smarttech.com](http://smarttech.com)



## SMART Board™ 600i

interactive whiteboard system

The SMART Board 600i interactive whiteboard system combines an award-winning SMART Board interactive whiteboard, your choice of an ultra-short-throw SMART UF75 or short-throw SMART UF65 projector and an extended control panel.

Adding flexibility to instruction, the 600i enables teachers to easily access and control all their classroom technology from one source. It's a complete system that offers extraordinary features at an affordable price.

### Enhance teaching experiences

With the 600i, teachers have centralized control over the projector and other classroom peripherals. The extended control panel enables them to start the system quickly and easily switch between multimedia devices such as DVD players, document cameras and laptops.

The system's sleek and integrated design keeps the projector out of the way, ensuring shadows and other distractions don't interfere with teaching and learning.

### Simplify installation and maintenance

The 600i is easy to install, manage and protect. The projector is located directly above the interactive whiteboard, eliminating the need for complicated wiring or ceiling mounting. And since the system is networked, you can connect the projector to your school's IP network to remotely control and manage it.

### Expand your work space

For classrooms that use widescreen laptops or monitors, the 600i is available in a wide-format option. Offering 20 percent more space, the 685ix gives teachers extra room to work. It combines the 87" (221 cm) wide-format SMART Board 685 interactive whiteboard with the SMART UF75w or SMART UF65w projector, both of which feature a 16:10 aspect ratio and native WXGA (1280 x 800) widescreen resolution.



- 1 SMART UF65 projector – an integrated XGA (1024 x 768) projector that offers a 4:3 native aspect ratio and support for 16:9, 16:10 and 4:5 ratios. The ultra-short-throw SMART UF75 is also available.
- 2 SMART Board interactive whiteboard – a touch-sensitive interactive whiteboard that connects to your computer and projector and shows the computer’s desktop image
- 3 Extended control panel – provides centralized control over classroom technology

## Key features

### Touch Recognition

You can write with a pen, erase with your palm and move objects with your finger without having to put the pen down to access other tools. The SMART Board interactive whiteboard automatically switches modes for you.

### Network enabled

The projector is network enabled, so it can be connected to your school’s IP network to enable commands to be sent or received through the web server or SNMP client.

### Theft resistant

The projector is rendered inoperable if removed from the extended control panel or remote, while the Kensington® lock slot and projector padlock loop act as additional visual and physical deterrents.

### Easy to maintain

The SMART UF75 and SMART UF65 projectors are filter free, have a long lamp life and resist color decay, image degradation and tinting, so the image stays sharp even after years of use.

### Comes with SMART Notebook software

The 600i comes with award-winning SMART Notebook software.

### Superb image quality

The SMART UF75 and SMART UF65 projectors use BrilliantColor™ technology to produce superb images with true-color quality and high levels of brightness and contrast.

### Wide-format option

The system is available in wide format, providing 20 percent more working space.

### Flexible setup

At installation, the SMART UF75 or SMART UF65 projector can be configured to accommodate multiple room sizes and SMART Board interactive whiteboard models. Both projectors fit interactive whiteboard models 660, 680 and 685. The SMART UF75 also fits model 690.

### Warranty

The SMART Board interactive whiteboard has a two-year warranty, which extends to five years upon product registration. The SMART

UF75 and SMART UF65 projectors have a three-year warranty.

### Durable

Durability is built into the SMART Board 600i interactive whiteboard system. The hard-coated polyester surface is tear proof and easily cleaned with any alcohol-free household glass cleaner or disinfected with a diluted bleach solution.

### Specifications

#### SMART UF65 projector

##### Total size

18 1/2" W x 15 1/2" H x 50 1/4" D  
(47.0 x 39.4 x 127.6 cm)

##### Weight

13 lb. 8 oz. (6.1 kg)

#### SMART UF75 projector

##### Total size

14" W x 15 1/2" H x 28" D  
(35.6 x 39.4 x 71.1 cm)

##### Weight

17 lb. (7.7 kg)

## SMART Board interactive whiteboard specifications

Model	660	680	685
<b>Size</b>	54 3/4" W x 41 5/8" H x 5 1/8" D (139.1 x 105.7 x 13.0 cm)	65 1/4" W x 49 1/2" H x 5 1/8" D (165.7 x 125.7 x 13.0 cm)	77 1/2" W x 49 1/2" H x 5 1/8" D (196.9 x 125.7 x 13.0 cm)
<b>Active screen area</b>	51 1/4" x 38 1/4" (130.2 x 97.2 cm), 64" (162.6 cm) diagonal	61 5/8" x 46 1/8" (156.5 x 117.2 cm), 77" (195.6 cm) diagonal	74" x 46 1/8" (188.0 x 117.2 cm), 87 1/8" (221.3 cm) diagonal, 16:10 aspect ratio
<b>Weight</b>	21 lb. 14 oz. (9.9 kg)	30 lb. (13.6 kg)	42 lb. (19.1 kg)

## Authorized reseller:

## SMART Technologies

Toll Free 1.866.518.6791 (U.S./Canada)

or +1.403.228.5940

[smarttech.com](http://smarttech.com)



## SMART Board™ 685ix

interactive whiteboard system



**The 685ix is an integrated system that combines the following:**

- A widescreen interactive whiteboard that provides 20 percent more space than a standard-sized interactive whiteboard
- An ultra-short-throw projector that virtually eliminates shadows, glare and distracting projector light
- An extended control panel that enables you to attach multimedia devices and start the system with one button
- Asset management features that allow the projector to be controlled and managed remotely through your IP network

The SMART Board 685ix interactive whiteboard system offers teachers and students an unparalleled classroom experience. As the world's first integrated system to combine an ultra-short-throw projector, a widescreen interactive whiteboard and an extended control panel, the 685ix provides extraordinary image quality and a large interactive surface for teaching and learning.

### Get students' attention

Lessons are bolder and brighter with the 685ix. The ultra-short-throw SMART UX60 projector virtually eliminates shadows, glare and distracting projector light, ensuring that teachers aren't casting shadows and students aren't straining to see the lesson. The SMART UX60 is positioned directly above the interactive whiteboard, projecting crisp, bright images from only 12" (30.5 cm) away. With this projector, lessons will look vibrant and well-defined, with high levels of brightness, contrast and true-color quality.

### Widen their perspective

Teachers and students have 20 percent more working space with the 685ix than they would have with a standard-sized interactive whiteboard system. The 685ix combines an ultra-short-throw projector, with a 16:10 aspect ratio and native WXGA (1280 x 800) resolution, and an 87" (221 cm) widescreen interactive whiteboard, making videos and images seem truer to life.

### Create more flexibility

The system's extended control panel offers teachers more flexibility while ensuring students can interact with lessons. Teachers can easily add multimedia devices, such as document cameras, DVD players and digital cameras, to the 685ix. These devices can then be accessed and controlled right from the extended control panel.

The 685ix is also easy to protect and maintain. It includes a multi-axis, adjustable wall mount that makes projector alignment a snap, and its network-enabled SMART UX60 projector can be controlled and managed remotely.



- 1** SMART UX60 projector – an integrated, ultra-short-throw WXGA (1280 x 800) projector with a 16:10 aspect ratio. The SMART UX60 has a 12" (30.5 cm) optical throw distance to the interactive whiteboard.
- 2** Widescreen SMART Board interactive whiteboard – a touch-sensitive surface that offers 20 percent more working space than a standard-sized interactive whiteboard. It connects to your computer and projector and shows the computer's desktop image.
- 3** Extended control panel – a panel that provides centralized control over classroom technology

## Key features

### Touch Recognition

Write with a pen, erase with your palm and move objects with your finger – without having to access other tools, buttons or on-screen menus. With Touch Recognition, the interactive whiteboard does the switching for you automatically.

### Virtually shadow and glare free

Compared to longer throw projectors that are mounted on ceilings or walls, the 685ix system's ultra-short-throw projector, the SMART UX60, creates virtually no shadows or glare.

### Superb image quality

Experience superb image quality with the 685ix. The SMART UX60 projector uses BrilliantColor™ technology to produce visuals with true-color quality and high levels of brightness and contrast.

### Distortion free

Attach a high-definition camcorder, Blu-ray Disc™ player or widescreen laptop to the extended control panel to give your students a true-to-life multimedia experience, without the distractions of letterboxing or distortion.

### Switchable dual-USB port

The extended control panel has a dual-USB port that enables you to connect two computers to the SMART Board interactive whiteboard and easily switch between them as required.

### Color decay resistant

The SMART UX60 projector is highly resistant to color decay, image degradation and tinting, so the image stays vibrant and sharp, even after years of use.

### Network enabled

Connect the SMART UX60 projector to your school's IP network to send and receive commands to and from the web server or SNMP client. As a networked interactive whiteboard system, the 685ix has asset management features that enable you to control and manage the projector remotely.

### Filter free

The SMART UX60 features a filter-free design, which ensures no filters need to be cleaned, maintained and replaced.

### Long-lasting lamp

Be confident in the reliability of your projector lamp – the SMART UX60 lamp lasts for 2,500 hours in standard mode and 4,000 hours in economy mode.

### Warranty

Get a three-year warranty on the SMART UX60 projector. The SMART Board interactive whiteboard has a five-year warranty upon product registration.

### Comes with SMART Notebook™ software

The 685ix comes with award-winning SMART Notebook collaborative learning software.

### Dual-user mode

This SMART Board interactive whiteboard is also available in a dual-touch model. With this model, two users can simultaneously write in their own separate workspaces in SMART Notebook software.

## Specifications

### SMART Board 685 interactive whiteboard

#### Size

77 1/2" W x 49 1/2" H x 5 1/8" D  
(196.9 x 125.7 x 13.0 cm)

#### Active screen area

74" x 46 1/8"  
(188.0 x 117.2 cm)  
87 1/8" (221 cm) diagonal  
16:10 aspect ratio

#### Weight

42 lb. (19.1 kg)

### Extended control panel

#### Size

6 1/5" W x 3 1/5" H x 2 3/5" D  
(15.7 x 8.1 x 6.6 cm)

### SMART UX60 projector

#### Size

17 2/5" W x 14 3/10" H x 15 3/5" D  
(44.2 x 36.3 x 39.6 cm)

#### Weight

24 lb. (10.9 kg)

### Remote control

1 5/8" W x 3 3/8" H x 1/4" D  
(4.0 x 8.6 x 0.7 cm)

## Authorized reseller:

## SMART Technologies

Toll Free 1.866.518.6791 (U.S./Canada)

or +1.403.228.5940

[smarttech.com](http://smarttech.com)

# Specifications

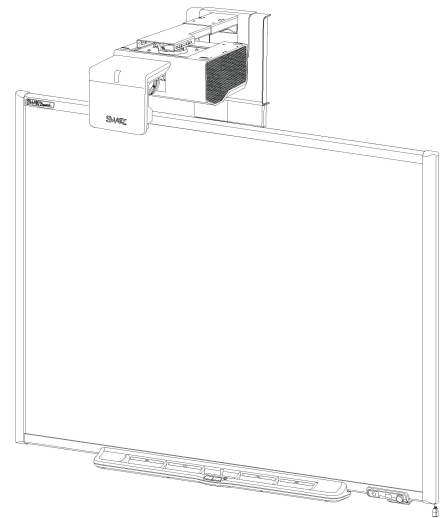
## SMART Board™ interactive whiteboard system

### Model 690i5

#### Physical specifications

##### SMART Board 690 interactive whiteboard

Size	85 3/4" W × 49 1/2" H × 5 1/8" D (217.8 cm × 125.7 cm × 13 cm)
Active screen area (maximum interactive projected image)	82 1/8" W × 46 1/8" H (208.6 cm × 117.2 cm) 94 1/4" diagonal (239.3 cm) 16:9 aspect ratio
Weight	48 lb. (21.8 kg)
Shipping size	54" W × 94 1/2" H × 5 1/2" D (137.2 cm × 240 cm × 14 cm)
Shipping weight	78 lb. (35.4 kg)



All dimensions +/- 1/8" (0.3 cm). All weights +/- 2 lb. (0.9 kg).

##### SMART UF75w projector

Projector	14" W × 15 1/2" H × 29 3/4" D (35.6 cm × 39.4 cm × 75.6 cm)
Remote control	1 5/8" W × 3 3/8" H × 1/4" D (4 cm × 8.6 cm × 0.7 cm)
Weight	17 lb. (7.7 kg)
Shipping size	20" W × 15 1/2" H × 24" D (50.8 cm × 39.4 cm × 61 cm)
Shipping weight	32 lb. (14.5 kg)

Extraordinary made simple™

**SMART**™

## SPECIFICATIONS

SMART Board interactive whiteboard system – Model 690i5

### Extended control panel (ECP)

Size	6" W × 2 5/8" H × 2 1/4" D (15.2 cm × 6.6 cm × 5.8 cm)
Shipping size	9 3/8" W × 5" H × 10 3/8" D (23.8 cm × 12.8 cm × 26.4 cm)
Shipping weight	4 lb. 8 oz. (2.1 kg)

### Standard features

<b>System requirements</b>	Windows® operating systems or Mac operating system software as detailed in the SMART Notebook™ software for Windows and Mac computers release notes ( <a href="http://smarttech.com/kb/158853">smarttech.com/kb/158853</a> ) or Linux® operating systems as detailed in the SMART Notebook software for Linux computers release notes ( <a href="http://smarttech.com/kb/146487">smarttech.com/kb/146487</a> ).
<b>Software</b>	A software DVD with SMART Product Drivers and SMART Notebook software is included. Software upgrades are available from <a href="http://smarttech.com/software">smarttech.com/software</a> .
<b>Environmental compliance</b>	China EIP, EU WEEE, US CPSIA, Covered Electronics Devices, Packaging, Batteries and EU RoHS
<b>Regulatory certification</b>	Interactive whiteboard CE, CSA (U.S./Canada), C-Tick, and VCCI Projector CB (TUV), CCC, CE, C-Tick, FCC, GOST-R, KC, NOM, PSB, PSE, TUV-GS, UL (U.S./Canada) and VCCI
<b>Warranty</b>	The projector and ECP have a three-year limited equipment warranty. The SMART UF75w projector lamp has a 1000-hour/one-year warranty. Your interactive whiteboard has a two-year limited equipment warranty or a five-year limited equipment warranty upon registration. See warranty documents for details.
<b>Installation instructions</b>	The installation instructions for your SMART Board 690i5 interactive whiteboard system are included in the ECP box. Don't use the installation instructions included in the interactive whiteboard box when installing the interactive whiteboard system. Additional documentation is available from <a href="http://smarttech.com/support">smarttech.com/support</a> .
<b>Power consumption</b>	287.5 W average in Standard mode and less than 1 W in Standby mode in accordance with EuP regulations
<b>Cables</b>	Includes the necessary cables to connect the projector to the ECP. However, you must supply the appropriate input cables for your devices.

### Interactive whiteboard features

<b>Pen tray</b>	Optical sensors in the pen tray detect when you lift a pen or the eraser from the tray. Indicator lights indicate the active tool.
<b>Pens and eraser</b>	Black, red, green and blue pens and a rectangular eraser



## SPECIFICATIONS

SMART Board interactive whiteboard system – Model 690i5

<b>Resolution</b>	Touch resolution is approximately 4000 × 4000.
<b>Screen surface</b>	The hard-coated surface is tear resistant, optimized for projection, compatible with dry-erase markers and easily cleaned with whiteboard cleaner.
<b>Digitizing technology</b>	Resistive technology
<b>Projector mounting template</b>	Ensures simple installation and accurate alignment between your projector and your interactive whiteboard
<b>Frame finish</b>	Two-tone gray (Dark gray approximates PANTONE® Charcoal Gray 18-0601 TPX. Light gray approximates PANTONE Cool Gray 6C.)
<b>Wall-mount brackets</b>	Includes two 32" (81.3 cm) wide brackets, ten screws and ten drywall anchors to support your wall-mounted interactive whiteboard
<b>Computer connection</b>	16' (5 m) USB cable
<b>Power requirements</b>	Obtains power from the projector through the ECP cable.
<b>Theft prevention</b>	The pen tray has a locking feature and a Kensington® security slot.
<b>SMART UF75w projector features</b>	
<b>System components</b>	SMART UF75w projector, wall mount, ECP, remote control and all input cables necessary to connect the ECP to the projector
<b>Image adjustment</b>	The wall mount includes mechanical adjustments for aligning the projector image with the interactive whiteboard. The projector also has a focus lever and an on-screen menu for adjusting brightness, contrast and other image-related attributes.
<b>Display type</b>	WXGA 1280 × 720 when you select native 16:9 aspect ratio from the service menu
<b>Display technology</b>	The projection engine uses DLP® technology by Texas Instruments™, providing BrilliantColor™ performance and quality Gamma 2.2 correction with Bright Room, Dark Room, sRGB, User and SMART Presentation modes.
<b>3D technology</b>	3D-ready projector using DLP Link™ technology
<b>Brightness</b>	Estimated at 2500 lumens (typical) at a CCT of 6500 K by the IEC method
<b>Lamp life</b>	2500 hours in Standard 230 W mode. 4000 hours in Economy 190 W mode
<b>Aspect ratio</b>	16:9 with support for 16:10, 4:3 and 5:4 ratios with scaling
<b>Contrast ratio</b>	2900:1

## SPECIFICATIONS

SMART Board interactive whiteboard system – Model 690i5

**Video system compatibility** NTSC, NTSC 4:43, PAL, PAL-N, PAL-M and SECAM

**Video interface compatibility** HDCP compliant HDMI, Composite, S-video, VESA® RGB with additional interface support for Component YPbPr and Component YCbCr inputs with the proper adapters (not included)

**Video format compatibility** The projector has a native 16:9 aspect ratio XGA resolution, which you must select through the service menu, and supports VGA, SVGA, SXGA, Quad VGA, SXGA+ and UXGA formats with scaling.

**Synchronization** Auto image synchronization (auto tracking, frequency, position adjustment, source detect and phase detect)

**Mounting hardware** Includes hardware for mounting the projector to framed and solid walls. Also includes a safety tether.

### Input/output connections

Connector	Connects to
Power	Main power source
4-pin power mini-DIN 5V/2A output	ECP harness cable
7-pin mini-DIN	ECP harness cable
DB9 RS-232	Optional room control system
DB15F RGB video input (VGA 1)	Default primary computer (not included)
DB15F RGB video input (VGA 2)	Default secondary computer harness cable
3.5 mm phone jack audio input (×2)	Primary and secondary computer audio inputs
DB15F RGB video output (VGA Out)	Optional secondary display (not included)
3.5 mm phone jack audio output	External audio system (not included)
RCA composite video input (and left and right RCA audio input)	Video source (not included) through ECP harness cable
4-pin mini-DIN S-video input (and left and right RCA audio input)	Video source (not included)
RJ45	Network (for web page management and SNMP access)
USB B	Computer (for service access only)
HDMI input	High-definition video source (not included)

**Projector noise** 36 dBA at high speed and 31 dBA at standard speed, measured using the JIS method

**Power requirements** 100V–240V AC at 50 Hz–60 Hz

**Power cable** Includes a 14' 9" (4.5 m) power cable

## SPECIFICATIONS

SMART Board interactive whiteboard system – Model 690i5

<b>External control</b>	The RS-232 control connector is configured to accept control codes from your computer or a room control system.
<b>Remote control</b>	Provides an alternative method of controlling the projector and adjusting the projector settings
<b>Theft protection</b>	The projector system features an optional padlocked ring to prevent theft. The Kensington® security slot can affix the system to a wall as a visual and physical theft deterrent.

## ECP features

### Input/output connections

Connector	Connects to
RJ11 6-wire	SMART Hub™ SE collaboration platform
DB15-M	ECP harness cable to projector
RCA (×3)	Composite video and associated audio inputs
USB A	SMART Board 690 interactive whiteboard
USB A (×3)	USB drives or peripheral devices (not included)
USB B	Primary computer (desktop label)
USB B	Secondary computer (laptop label)

<b>Volume control</b>	Controls volume
<b>Power button</b>	Turns the interactive whiteboard and projector on and off
<b>Input selection button</b>	Select the projector video and audio inputs from the available sources: <ul style="list-style-type: none"><li>• VGA 1 (default primary computer)</li><li>• VGA 2 (default secondary computer)</li><li>• Composite</li><li>• S-video</li><li>• HDMI</li></ul>

## Storage and operating specifications

<b>Storage</b>	<ul style="list-style-type: none"><li>• Maximum storage temperature: 122°F (50°C) with up to 80% humidity, non-condensing</li><li>• Minimum storage temperature: -4°F (-20°C) with up to 80% humidity, non-condensing</li></ul>
----------------	---

## SPECIFICATIONS

SMART Board interactive whiteboard system – Model 690i5

- Operation**
- At standard fan speed: 41°F to 95°F (5°C to 35°C) from 0' to 6000' (0 m to 1800 m)
  - At high fan speed: 41°F to 95°F (5°C to 35°C) from 6000' to 6800' (1800 m to 2100 m)
  - In Service mode: 41°F to 95°F (5°C to 35°C) from 6800' to 9800' (2100 m to 3000 m)

## SMART order numbers

- SB690i5** SMART Board 690 interactive whiteboard with a SMART UF75w projector
- 20-01501-20** Lamp module replacement kit for SMART UF75 and SMART UF75w projectors

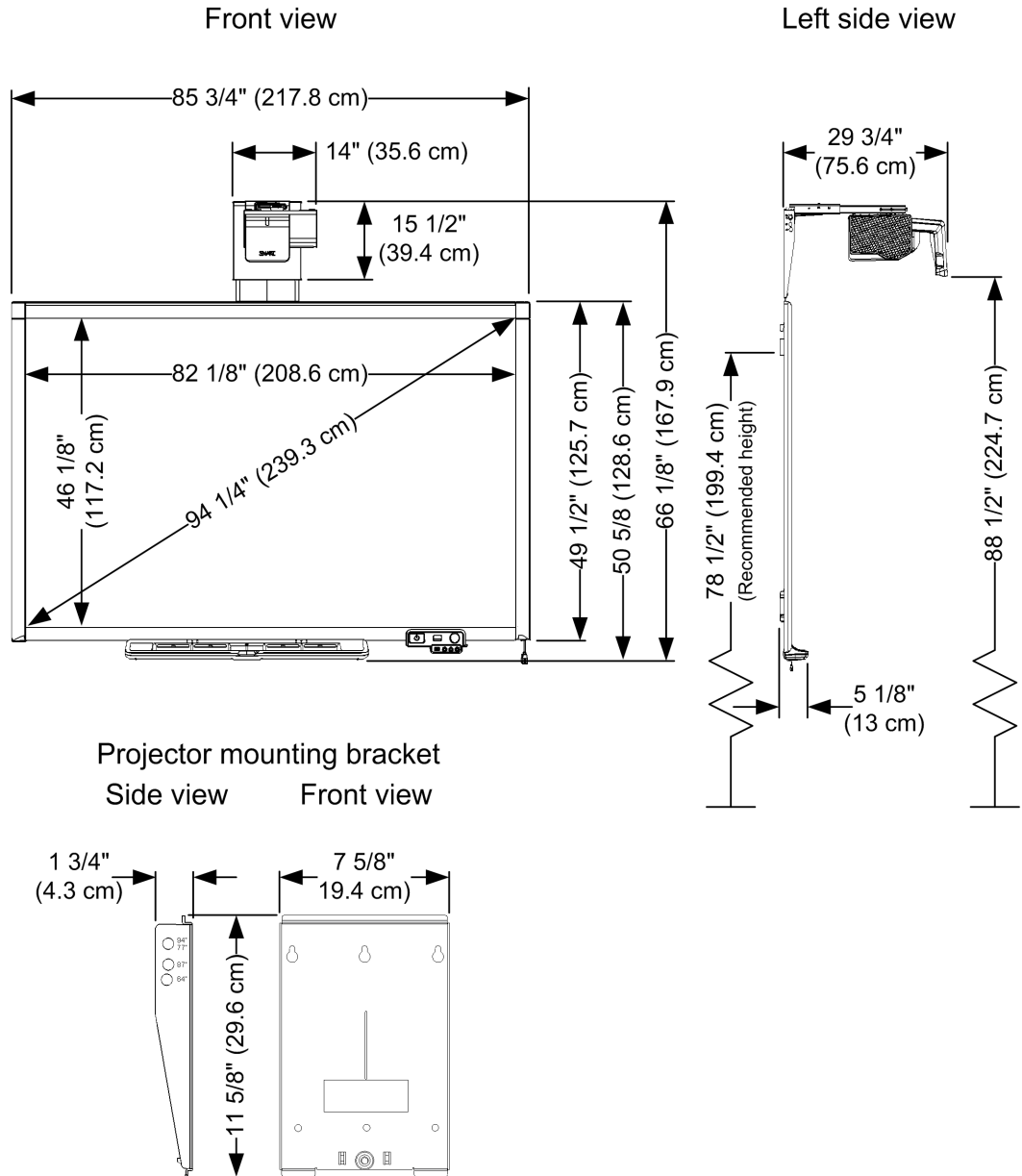
## Optional accessories

- RPEN** Replacement set of four pen tray pens (black, red, green and blue)
- RPEN-ER** Replacement set of four pen tray pens (black, red, green and blue) and a rectangular eraser
- SBA-L** Projection Audio System for SMART Board 600 and 800 series interactive whiteboard systems
- USB-XT** USB extender cable

## SPECIFICATIONS

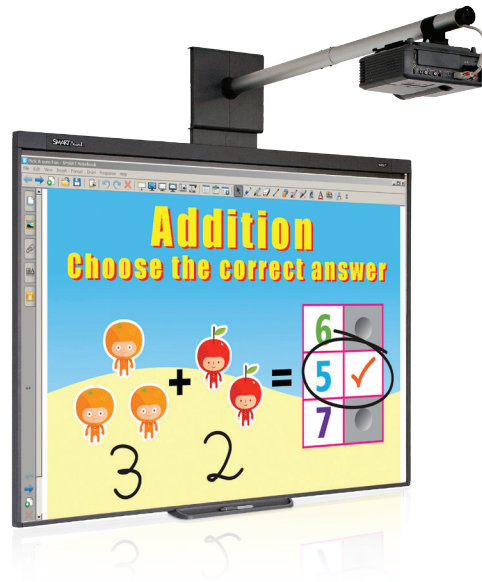
SMART Board interactive whiteboard system – Model 690i5

### Physical dimensions



[www.smarttech.com/support](http://www.smarttech.com/support) | [www.smarttech.com/contactsupport](http://www.smarttech.com/contactsupport)  
 Support +1.403.228.5940 or Toll Free 1.866.518.6791 (U.S./Canada)

© 2011 SMART Technologies ULC. All rights reserved. SMART Board, SMART Notebook, SMART Hub, the SMART logo, smarttech and all SMART taglines are trademarks or registered trademarks of SMART Technologies ULC in the U.S. and/or other countries. DLP Link, DLP, BrilliantColor and Texas Instruments are trademarks of Texas Instruments. All other third-party product and company names may be trademarks of their respective owners. One or more of the following patents: US6320597; US6326954; US6540366; US6741267; US7151533; US7687736; US7757001; USD616462; and USD617332. Other patents pending. Contents are subject to change without notice. 08/2011.



## SMART Board™ 480iv

interactive whiteboard system

The 480iv is an integrated system that combines affordability and ease of use. It includes a short-throw projector and an interactive whiteboard that offers both finger- and pen-touch functionality.

Provide your students with an engaging and interactive learning experience using the SMART Board 480iv interactive whiteboard system. This affordable, all-in-one system combines a SMART Board interactive whiteboard, SMART V25 short-throw projector and SMART Notebook™ collaborative learning software. The 480iv enables teachers and students to interact with lesson content in a natural way using either their finger or a pen.

### An interactive system for every classroom

The SMART Board 480iv interactive whiteboard has a 77" (195.6 cm) touch-enabled surface that allows teachers and students to write in digital ink, erase, move objects and control applications with a finger or pen. The integrated SMART V25 projector limits shadows and projects crisp, bright images. And because the projector is located directly above the interactive whiteboard, the 480iv fits in virtually any classroom.

### Engagement for all students

With the 480iv, teachers can easily present dynamic lessons that will engage every student no matter what their learning style. By adding vibrant images and videos, teachers can make lessons more appealing to visual learners. They can also add hands-on activities for kinesthetic learners, use sound to engage auditory learners and offer students with special needs more effective ways to manipulate information.

### Access to best-in-class resources

Like all SMART Board interactive whiteboards, the 480 is part of a comprehensive solution that includes support, professional development, classroom content and a community of peers. It comes with SMART Notebook collaborative learning software, which makes it easy for teachers to create and manage digital lessons. And they can access free, ready-to-use educational resources, including thousands of standards-correlated SMART Notebook lesson activities, anytime on the SMART Exchange™ website.



- 1** SMART Board interactive whiteboard – The 77" (195.6 cm) touch-sensitive surface enables teachers and students to use either their finger or a pen
- 2** SMART V25 projector – The short-throw projector limits shadows and offers a 4:3 aspect ratio
- 3** Durable surface – The hard-coated steel surface is optimized for projection

## Key features

### Touch functionality

Teachers can write or perform mouse functions by touching the SMART Board interactive whiteboard with a pen or their finger and can erase by selecting the on-screen eraser from the toolbar.

### SMART Notebook collaborative learning software included

SMART Board interactive whiteboards come with SMART Notebook software, which helps teachers create, deliver and manage interactive lessons using a single application.

### Network-enabled projector

The SMART V25 projector can be connected to a school's IP network and remotely controlled and managed through a web server or SNMP client.

### Simple installation

The SMART V25 projector is mounted directly above the interactive whiteboard, so any classroom can accommodate the 480iv without needing complicated wiring or ceiling mounting.

### Improved lamp life

The SMART V25 projector bulb lasts for 4,500 hours in standard mode and 6,000 hours in economy mode. And, because the projector is network-enabled, teachers will receive e-mail alerts for temperature warnings or when the lamp life is running low.

### Image quality

The SMART V25 projector offers a 4:3 aspect ratio and displays images that are bright and sharp and appear in true-color quality in most lighting conditions.

### Shadow reduction

Because the short-throw SMART V25 projector is located directly above the SMART Board interactive whiteboard, it creates fewer shadows behind the user, improving the visibility of images, videos and notes.

### Filter free

The filter-free design of the SMART V25 projector eliminates the need for filter cleaning or replacement.

### Durable surface

The 480 has a hard-coated steel surface that is durable, optimized for projection, compatible with dry-erase markers and easily cleaned with whiteboard cleaner.

### USB cables and extenders

Connect the SMART Board interactive whiteboard to your computer with USB cables, or increase the reach of your USB cable by up to 66' (20.1 m) with USB extenders.

### Warranty

The SMART Board interactive whiteboard, SMART V25 projector and the projector lamp all have a two-year limited warranty.

### Enhance your experience

Add the SMART Audio classroom amplification system or USB speakers to turn the 480iv into a complete multimedia system. You can also add the SMART Height-Adjustable Wall Mount, enabling you to easily raise or lower the interactive whiteboard system as needed.

## Specifications

### SMART Board 480 interactive whiteboard

#### Size

63 3/16" W x 50 1/16" H x 5 1/16" D  
(160.5 x 127.2 x 12.8 cm)

#### Active screen area

(maximum interactive, projected image)  
61 5/8" x 46 3/16"  
(156.5 x 117.3 cm)  
77" (195.6 cm) diagonal  
4:3 aspect ratio

#### Weight

51 lb. (23.2 kg)

### SMART V25 projector system

#### Size

18 1/2" W x 15 1/2" H x 51 1/4" D  
(47.0 x 39.4 x 130.2 cm)

#### Weight

14 lb. 8 oz. (6.7 kg)

#### Remote control

1 5/8" W x 3 3/8" H x 1/4" D  
(4.1 x 8.6 x 0.7 cm)

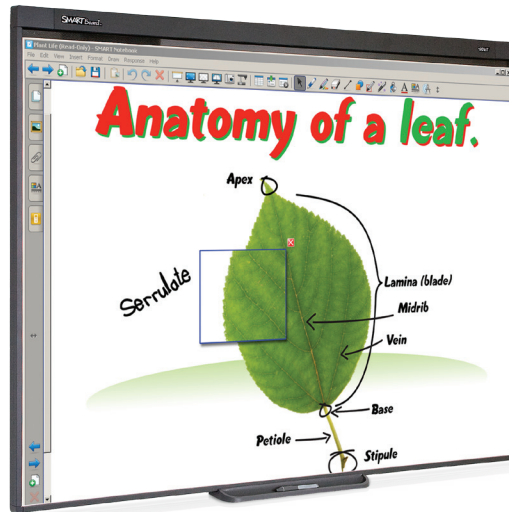
## Authorized reseller:

## SMART Technologies

Toll Free 1.866.518.6791 (U.S./Canada)

or +1.403.228.5940

[smarttech.com](http://smarttech.com)



## SMART Board™ 480

interactive whiteboard

Quality and affordability come together in the easy-to-use SMART Board 480 interactive whiteboard, which offers both finger- and pen-touch functionality to engage students and enhance interactive learning.

With the new SMART Board 480 interactive whiteboard, every student can experience the benefits of hands-on, interactive learning. This easy-to-use, touch-sensitive interactive whiteboard combines quality and affordability. It enables teachers and students to interact with lesson content in a natural way using either their finger or a pen.

### Interactive learning starts here

The SMART Board 480 interactive whiteboard is an ideal introduction to digital learning. It offers natural touch functionality, which makes it easy for students and teachers to use and will help enable quick and successful adoption. The interactive whiteboard connects to a computer and projector. From their computer, teachers can display and interact with lesson content on the interactive surface, and can control applications and write notes using either their finger or a pen.

### Engagement for all students

With the 480, teachers can easily present dynamic lessons that will engage every student no matter what their learning style. By adding vibrant images and videos, teachers can make lessons more appealing to visual learners. They can also add hands-on activities for kinesthetic learners, use sound to engage auditory learners and offer students with special needs more effective ways to manipulate information.

### Access to best-in-class resources

Like all SMART Board interactive whiteboards, the 480 is part of a comprehensive solution that includes support, professional development, classroom content and a community of peers. It comes with SMART Notebook™ collaborative learning software, which makes it easy for teachers to create and manage digital lessons. And they can access free, ready-to-use educational resources, including thousands of standards-correlated SMART Notebook lesson activities, anytime on the SMART Exchange™ website.





**1** SMART Board interactive whiteboard – The 77" (195.6 cm) touch-sensitive surface responds to finger or pen inputs

**2** Durable surface – The hard-coated steel surface is optimized for projection

## Key features

### Touch functionality

Teachers and students can write or perform mouse functions by touching the SMART Board interactive whiteboard with a pen or finger, and can erase by selecting the on-screen eraser from the toolbar.

### SMART Notebook collaborative learning software included

SMART Board interactive whiteboards come with SMART Notebook software, which helps teachers create, deliver and manage interactive lessons using a single application.

### Durable surface

The 480 has a hard-coated steel surface that is durable, optimized for projection, compatible with dry-erase markers and easily cleaned with whiteboard cleaner.

### Wall mount or floor stand

The SMART Board 480 interactive whiteboard can be installed simply and securely with the SMART Height Adjustable Wall Mount. Alternatively, the 480 can be used with SMART's mobile floor stand, which is equipped with sturdy locking casters and stabilizing safety guards.

### USB cables and extenders

Teachers can connect the SMART Board interactive whiteboard to their computer with USB cables, or increase the reach of their USB cable by up to 66' (20.1 m) with USB extenders.

### Warranty

The SMART Board 480 interactive whiteboard has a two-year limited warranty.

## Specifications

### SMART Board 480 interactive whiteboard Size

63 3/16" W x 50 1/16" H x 5 1/16" D  
(160.5 x 127.2 x 12.8 cm)

### Active screen area

(maximum interactive, projected image)  
61 5/8" x 46 3/16"  
(156.5 x 117.3 cm)  
77" (195.6 cm) diagonal  
4:3 aspect ratio

### Weight

51 lb. (23.2 kg)

### Shipping Size

70" W x 53 1/2" H x 4 5/16" D  
(177.8 x 135.9 x 11.0 cm)

### Shipping weight

63 lb. 3 oz (28.7 kg)

---

Authorized reseller:

**SMART Technologies**

Toll Free 1.866.518.6791 (U.S./Canada)

or +1.403.228.5940

[smarttech.com](http://smarttech.com)

**SMART**



## LightRaise™ 40wi interactive projector

The LightRaise 40wi projector includes access to high-quality lesson content, service and support and is the only interactive projector that comes with SMART Notebook software.

Backed by over 20 years of innovation in educational technology, the LightRaise 40wi interactive projector allows you to add interactivity to almost any surface. This pen-enabled, ultra-short-throw interactive projector is ideal for environments where there is a greater focus on directed learning.

### Bring learning to life with SMART Notebook

The LightRaise projector is the only interactive projector that includes SMART Notebook™ collaborative learning software. SMART Notebook software sets the standard for creating, delivering and managing interactive lessons. Through SMART Notebook, educators also have immediate access to over 50,000 learning resources on the SMART Exchange™ website.

### Add interactivity almost anywhere

With the LightRaise projector, you can turn almost any surface, including a dry-erase whiteboard, into an interactive learning space. It combines projection and interactivity in one ultra-short-throw product and enables you to create screen sizes of up to 100" (254 cm) on the diagonal. You can accommodate multiple learning environments, all-purpose rooms and collaboration spaces with one projector, while ensuring that the content your students see is interactive and engaging.

### Increase your return on investment

The LightRaise projector enables you to fill more classrooms with technology products while working within a fixed budget. You can accommodate a variety of learning environments while repurposing your existing materials and dry-erase whiteboards. Complementary SMART solutions integrate with the LightRaise projector through SMART Notebook software, so you always have the option to extend and enhance your classroom solution in the future.



- 1** Ultra-short-throw projector with a 0.30:1 throw ratio
- 2** Projects image sizes from 77" to 100" (196–254 cm)
- 3** Integrated speaker and microphone input
- 4** HDMI input, two VGA inputs and network connection
- 5** SMART Notebook collaborative learning software
- 6** Immediate access to the SMART Exchange website
- 7** Rechargeable interactive pen



## Key features

### SMART Notebook software included

Millions of educators worldwide are using SMART Notebook collaborative learning software.

When you choose the LightRaise projector, you can be sure you are standardizing on software that is proven, popular and backed by a global community of educators.

### Access to lesson content

Get immediate access to the SMART Exchange website, where educators connect with each other and save on lesson preparation time by sharing and downloading classroom-ready learning resources. The more than 50,000 resources on SMART Exchange include standards-correlated lessons and applications from leading educational publishers and content providers.

### Integration with SMART solutions

The LightRaise interactive projector enables you to make the most of your existing technology investment because it integrates with other SMART products through SMART Notebook software. With the projector, it's easy to switch between multiple lesson applications, saving time and reducing distractions.

### Multiple installation options

The ability to project images of a range of sizes, up to 100" (254 cm), lets you add interactivity to a wide variety of learning environments and collaboration spaces.

### Accommodates a fixed budget

The LightRaise interactive projector offers an affordable way to create large, widescreen, interactive images for your students.

### Ultra-short-throw projector

With an outstanding 0.30:1 throw ratio, the projector eliminates most shadows and glare, reducing unnecessary classroom distractions while delivering a crisp, bright image the entire class can see.

### Audio components

A 10-watt speaker and microphone input add audio capabilities to the LightRaise interactive projector.

### Interactive pen and pen holder

The projector comes with a rechargeable interactive pen and convenient pen holder in which to store it.

### SMART Projector Care

Your investment is covered under the SMART Projector Care program, which includes a three-year warranty, 24-hour advance replacement and preferential pricing on projector lamp upgrades and replacements.

### Support for multiple operating systems

The LightRaise interactive projector supports both Microsoft® Windows® and Mac operating systems.

### Low power consumption

The interactive projector consumes less than one watt of power in standby mode.

## Authorized reseller:

## SMART Technologies

Toll free 1.866.518.6791 (U.S./Canada)

or +1.403.228.5940

[smarttech.com](http://smarttech.com)



## SMART Table™

The SMART Table interactive learning center is the first multitouch, multiuser table for early education students. Designed to encourage collaboration, consensus building and problem solving, the SMART Table gives students a gathering place to explore digital lessons, play educational games and work together on interactive learning activities. Groups of students can simultaneously touch objects on the surface, which is intuitive for young students, so they can get started on activities quickly and easily and have fun while they learn. Plus, the SMART Table is durable enough for even the most enthusiastic jolts and bumps.

### Collaborative

The SMART Table is designed to stimulate collaboration among students. It includes learning applications that require students to work together on a problem and then come to a consensus before giving their answer. Students are prompted and congratulated with sound and graphic cues as they learn to work as a team.

### Customizable

The SMART Table comes with a collection of eight applications, and each one comes with default activities that demonstrate how the applications can be used. The activities help children learn age-appropriate skills, such as reading and counting, through collaboration and critical thinking. Thanks to the SMART Table Toolkit, teachers can create an almost limitless supply of activities on their own personal computers, which they can transfer to the SMART Table and use in class. Teachers can also download new applications and ready-made lesson activities from our educator resources web page, [smarttech.com/tablecontent](http://smarttech.com/tablecontent).

### Part of the SMART classroom

For teachers wanting to optimize both whole-class and small-group learning, the SMART Table is an excellent complement to the SMART Board™ interactive whiteboard. Teachers can introduce a concept to all students using the interactive whiteboard and then reinforce it through small-group activities on the SMART Table. It can also be used with the SMART Document Camera and SMART Sync™ classroom management software.



SMART Table applications –  
Addition Plus, Media,  
Multiple Choice



- 1** Multitouch capability, based on SMART's own DVIT™ (Digital Vision Touch) technology
- 2** Easy-to-clean, scratch-resistant surface
- 3** Computer, projector and audio system combined inside a locked cabinet

- 4** Casters make the SMART Table easy to move from class to class
- 5** SMART Table Toolkit – Download and customize SMART Table applications or create unique content using SMART Notebook Gallery items, or graphics and video from other sources.

## Key features

### Ease of use

The SMART Table is easy to use and maintain. It works with both Mac and Windows® operating systems, and SMART provides automatic, ongoing updates to the software and toolkit. Thanks to the intuitive interface, students can start working right away – text and audio instructions are built into the activities.

### Multitouch, multiuser surface

The SMART Table's multitouch capability is based on DVIT technology, which enables precise, intuitive touch control and superior image quality. The display has an excellent contrast ratio and infrared immunity, so teachers can operate the product in the most challenging lighting conditions.

### SMART Table Toolkit

The SMART Table Toolkit is a stand-alone application that runs on the teacher's computer. It enables teachers to download and customize SMART Table applications or create their own activities using SMART Notebook™ Gallery items. Teachers can transfer these files from the toolkit to the SMART Table, using SMART Sync or the SMART Table USB key. The toolkit supports up to 50 applications.

### SMART Table interface

From the SMART Table's interface, teachers can control volume, change the number of students on an activity, download the SMART Table Toolkit or access their personal library of table activities. They can also easily turn it on or shut it down.

## Customizable activities

The SMART Table comes with a variety of applications, each with a set of default activities that can be used instantly. Customizable SMART Table lesson activities can be downloaded from the educator resources web page, [smarttech.com/tablecontent](http://smarttech.com/tablecontent). The following applications come with the SMART Table: Multiple Choice, HotSpots, HotSpaces, Paint, Media, Addition, Puzzle and Addition Plus. To learn more, visit [smarttech.com/table](http://smarttech.com/table).

### Automatic updates

Teachers receive automatic update notifications through the SMART Product Update in the SMART Table Toolkit. There's no need to retrofit products – they support future software updates without any upgrading.

### Durable

The sturdy cabinet shelters all components, and the surface is scratch proof and water resistant. It can be cleaned with any alcohol-free household glass cleaner. The SMART Table can also withstand up to 200 pounds (91 kg) of weight.

### Mobile

Because the SMART Table is mounted on casters, it can be moved from class to class. Detach the power cord when moving it, and it fits through standard doorways.

## Stereo sound

The SMART Table features stereo sound. Teachers can access volume control through the teacher interface.

## Specifications

### Display Technology

- XGA short-throw lens
- 1760 lumens
- 3000 hour bulb life

### Audio

- Integrated stereo system

### Size

- 36" L x 29 1/8" W x 25 3/4" H  
(91.5 cm x 74 cm x 65.4 cm)

### Active screen area

- 22 1/2" L x 16 7/8" W (57.2 cm x 42.9 cm)
- 28 1/8" diagonal (71.5 cm)
- 4:3 aspect ratio

### Weight

- 153.2 lb. (69.5 kg)

### System requirements

The SMART Table Toolkit supports Mac OS X and Windows operating systems. See [smarttech.com/table](http://smarttech.com/table) for full system requirements.

## Authorized reseller:

## SMART Technologies

Toll Free 1.866.518.6791 (U.S./Canada)

or +1.403.228.5940

[smarttech.com](http://smarttech.com)

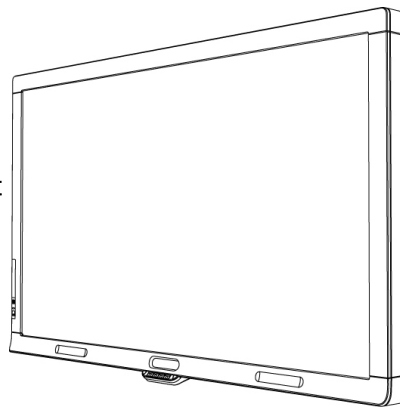
## Specifications

# SMART Board® interactive flat panel

Models 8070i-SMP and 8070i

### Physical specifications

<b>Size</b>	66 3/8" W × 40 7/8" H × 9 7/8" D (168.5 cm × 103.8 cm × 25 cm)
<b>Active screen area (maximum interactive projected area)</b>	70" (178 cm) diagonal, 16:9 aspect ratio 61" W × 34 1/4" H (154.9 cm × 87.2 cm)
<b>Weight</b>	262 lb. (119 kg)



All dimensions +/- 1/8" (0.3 cm).

All weights +/- 2 lb. (0.9 kg).

### Shipping size

1 unit on a pallet	22 1/4" W × 54" H × 78" D (57 cm × 139 cm × 198 cm)
2 units on 3 pallets	45" W × 59 3/4" H × 78" D (114 cm × 152 cm × 198 cm)

### Shipping weight

1 unit on a pallet	339 lb. (153.8 kg)
2 units on 3 pallets	723 lb. (328 kg)

Extraordinary made simple®

**SMART**®

## SPECIFICATIONS

SMART Board interactive flat panel – Models 8070i-SMP and 8070i

### Standard features

<b>Touch technology</b>	DViT® (Digital Vision Touch) technology uses digital cameras to track objects interacting with the surface. Cameras can recognize finger, pen and eraser touch.
<b>Gestures</b>	Supports multitouch gestures
<b>Orientation</b>	The Orientation button on the color select module enables you to adapt the touch control to various screen resolutions.
<b>Pen</b>	The pen interacts with the interactive flat panel to draw digital ink. Buttons on the color select module enable you to select pen color. The bottom frame of the interactive flat panel has magnetic slots for the two included pens.
<b>Eraser</b>	The interactive flat panel has a magnet-mounted eraser.
<b>Keyboard</b>	You can connect a keyboard or press the Keyboard button on the color select module to use the on-screen keyboard.
<b>Product help</b>	The Help button on the color select module enables you to access product help.
<b>Included connectors and hardware</b>	<p>The following connectors and hardware are included with your SMART Board interactive flat panel.</p> <ul style="list-style-type: none"><li>• 3' (0.9 m) country-specific power cable</li><li>• 16' 5" (5 m) USB cable</li><li>• VGA cable</li><li>• Infrared remote control</li><li>• CAT 5 USB extender (SMART Board® 8070i-SMP interactive flat panels only)</li><li>• SMART GoWire™ auto-launch cable with SMART Meeting Pro™ software (SMART Board 8070i-SMP interactive flat panels only)</li></ul>
<b>Video and control inputs</b>	<ul style="list-style-type: none"><li>• S-Video</li><li>• RCA video input</li><li>• HDMI™ (× 2)</li><li>• RGB/HV in for guest laptop</li><li>• VGA for room computer</li><li>• DisplayPort</li><li>• DVI-D</li></ul>

## SPECIFICATIONS

SMART Board interactive flat panel – Models 8070i-SMP and 8070i

- USB B (× 3)
- USB A (× 1) to use with the room computer only

- Power**
- AC power inlet
  - AC power pass-through

- Audio specifications**
- Includes two 15 W speakers
  - External speaker terminals: 10 W + 10 W with 8  $\Omega$  of resistance

- Audio inputs
- USB
  - Dual RCA jacks (× 2)
  - Stereo 3.5 mm jack

Audio output RCA L/R

### Screen specifications

Pixel pitch 0.807 mm

Contrast ratio 1300:1

Brightness Maximum 430 cd/m<sup>2</sup>

Horizontal frequency 31.5–91.1 kHz (analog and digital)

Vertical frequency 50–85 Hz

Optimum resolution 1920 × 1080 at 60 Hz

**Warranty** Two-year limited equipment warranty. See your product's warranty documents for more information.



## SPECIFICATIONS

SMART Board interactive flat panel – Models 8070i-SMP and 8070i

### Installation requirements

- The interactive flat panel must be installed by trained professional installers.
- Use a lifting device to lift the interactive flat panel.
- Your installers require a standard VESA® 400 mm × 400 mm mounting plate (not included) to wall-mount the interactive flat panel.
- Ensure the mounting system can support the product's weight.
- Refer to the *SMART Board 8070i interactive flat panel installation guide* ([smarttech.com/kb/155314](http://smarttech.com/kb/155314)) for more information.

### Computer requirements

You need to connect a computer to the interactive flat panel. Choose one of the following:

#### **SMART Board 8070i-SMP interactive flat panel**

- A computer with a Windows® operating system and SMART Meeting Pro software installed. For a complete list of computer requirements, see the SMART Meeting Pro software release notes available at [smarttech.com/downloads](http://smarttech.com/downloads).
- A laptop with a Windows operating system that doesn't have SMART Meeting Pro software installed. You can connect this laptop to the interactive flat panel using the included SMART GoWire cable with SMART Meeting Pro software. For a complete list of computer requirements, see the SMART GoWire cable specifications ([smarttech.com/kb/151506](http://smarttech.com/kb/151506)).

#### **SMART Board 8070i interactive flat panel**

A computer with either a Windows operating system or Mac OS operating system software and SMART Notebook™ collaborative learning software installed. For a complete list of computer requirements, see the SMART Notebook software release notes available at [smarttech.com/downloads](http://smarttech.com/downloads).

## SPECIFICATIONS

SMART Board interactive flat panel – Models 8070i-SMP and 8070i

### Storage and operating requirements

**Power requirements (LCD panel)** 9.2A at 100V AC to 3.7A at 240V AC, 50 Hz to 60 Hz

**Power consumption at 77°F (25°C)** Typically up to 530 W (brightness at 70% and volume at 40), maximum 580 W (brightness and volume at maximum)

**Operating temperature** 41°F to 95°F (5°C to 35°C)

**Storage temperature** -4°F to 140°F (-20°C to 60°C)

**Humidity** 5% to 80% relative humidity, non-condensing

#### CAUTION

- The interactive flat panel is intended for indoor use only.
- Do not pour or spray liquids onto your product's electronic components.

**Ventilation requirements** Maintain a 4" (10 cm) ventilation area on all sides of your interactive flat panel to enable its cooling fans to operate. Don't store or operate your interactive flat panel in dusty environments because dust could interfere with the product's ventilation and cooling.

### Environmental

**Electrostatic discharge (ESD)**

- Designed to withstand electrostatic shock
- EN61000-4-2 severity level 3 for direct and indirect ESD (±4 kV Contact / ±8 kV Air)

**Conducted and radiated emissions**

- FCC part 15 Class A
- EN55022 / CISPR 22
- KN55022

## SPECIFICATIONS

SMART Board interactive flat panel – Models 8070i-SMP and 8070i

### Flammability rating

Electronics and connectors UL 94-V0

Mechanical parts UL 94-HB

USB cable UL VW-1 / CSA FT4

**Environmental compliance** CPSIA, EU RoHS and WEEE

**Regulatory certification** CB report, CSA/C-US, C-Tick-A, Doc-A, FCC-A, KC, KCC, TUV-GS and UL/C-US

### SMART order numbers

**SBID 8070i-SMP** SMART Board interactive flat panel. Includes a SMART Meeting Pro software license key and a SMART GoWire cable with SMART Meeting Pro software.

**SBID 8070i** SMART Board interactive flat panel. Includes a SMART Notebook software installation DVD.

### Optional accessories

**GW-MP** SMART GoWire cable. This USB to USB connection enables you to use SMART Meeting Pro software on computers on which the software isn't installed.

**WMB-SBID** 16' 5" (5 m) wire bundle to connect the interactive flat panel to a nearby laptop. Includes a USB cable and a VGA-to-RGB cable.

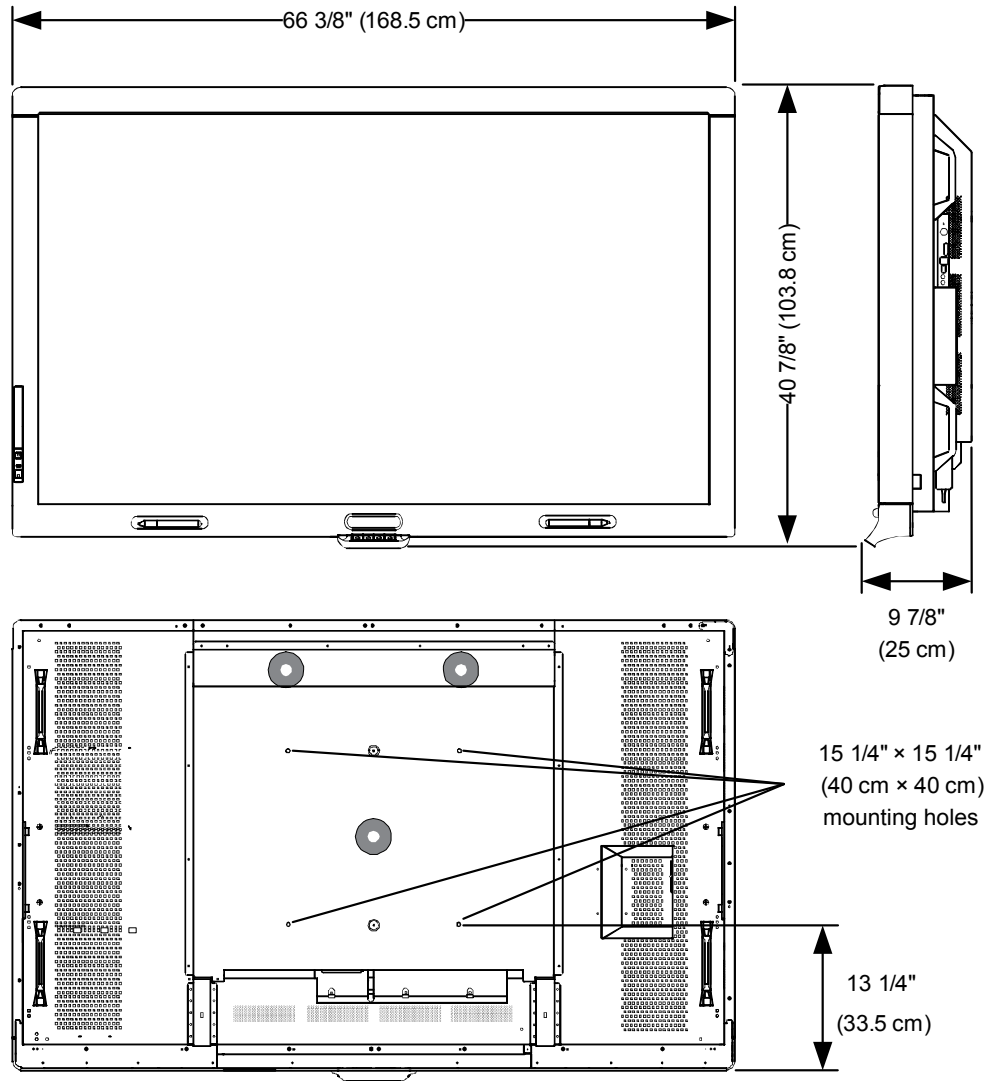
**RPEN-SBID** Replacement pen for SMART Board 8000 series interactive flat panels

**RERASER-SBID** Replacement eraser for SMART Board 8000 series interactive flat panels

## SPECIFICATIONS

SMART Board interactive flat panel – Models 8070i-SMP and 8070i

### Physical dimensions



[smarttech.com/support](http://smarttech.com/support)

[smarttech.com/contactsupport](http://smarttech.com/contactsupport)

© 2010–2012 SMART Technologies ULC. All rights reserved. SMART Board, smarttech, DVIT, SMART Meeting Pro, SMART Notebook, SMART GoWire, the SMART logo and all SMART taglines are trademarks or registered trademarks of SMART Technologies ULC in the U.S. and/or other countries. Windows is either a registered trademark or a trademark of Microsoft Corporation in the U.S. and/or other countries. All third-party product and company names may be trademarks of their respective owners. One or more of the following patents: US6320597; US6326954; US6563491; US6741267; US6803906; US6829372; US6947032; US6954197; US6972401; US7151533; US7236162; US7411575; US7619617; US7643006; US7692625; US7755613; US7757001; US7880720; USD612396; USD616462; USD617332 and USD636784. Other patents pending. Contents are subject to change without notice. 04/2012.

# Specifications

## SMART Board® interactive flat panel

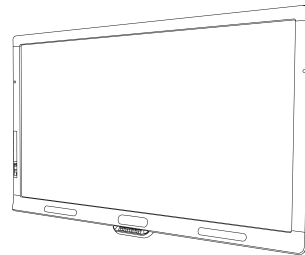
### Models 8055i and 8055i-SMP

#### Physical specifications

**Size (without speakers and color select module)**

52 3/8" W × 32 5/16" H × 3 11/16" D  
(133 cm × 82 cm × 9.3 cm)

(See *Physical dimensions* on page 7 for detailed dimensions.)



All dimensions +/- 1/8" (0.3 cm).

All weights +/- 2 lb. (0.9 kg).

**Active screen area (maximum interactive projected area)**

54 5/8" (139 cm) diagonal, 16:9 aspect ratio  
47 5/8" W × 26 3/4" H  
(121 cm × 68 cm)

**Weight**

98 lb. (44.5 kg)

**Shipping size**

1 unit on a pallet 61 3/4" W × 43" H × 43 3/16" D (157 cm × 109 cm × 110 cm)

3 units on a pallet 61 3/4" W × 43" H × 43 3/16" D (157 cm × 109 cm × 110 cm)

**Shipping weight**

1 unit on a pallet 148 lb. (67 kg)

3 units on a pallet 400 lb. (181 kg)

Extraordinary made simple®

**SMART®**

## SPECIFICATIONS

SMART Board interactive flat panel – Models 8055i and 8055i-SMP

### Standard features

<b>Touch technology</b>	DViT® (Digital Vision Touch) technology uses digital cameras to track objects interacting with the surface. Cameras can recognize finger, pen and eraser touch.
<b>Gestures</b>	Supports multitouch gestures
<b>Orientation</b>	The Orientation button on the color select module enables you to adapt the touch control to various screen resolutions.
<b>Presence detection</b>	The interactive flat panel has two presence detection sensors on its frame that can detect people up to 16' (5 m) away. When the sensors detect people in the room, the interactive flat panel turns on. When the sensors no longer detect people in the room, the interactive flat panel turns off.
<b>Pen</b>	The pen interacts with the interactive flat panel to draw digital ink. Buttons on the color select module enable you to select pen color. The bottom frame of the interactive flat panel has magnetic slots for the two included pens.
<b>Eraser</b>	The interactive flat panel has a magnet-mounted eraser.
<b>Keyboard</b>	You can connect a keyboard or press the Keyboard button on the color select module to use the on-screen keyboard.
<b>Product help</b>	The Help button on the color select module enables you to access product help.
<b>Included connectors and hardware</b>	<ul style="list-style-type: none"><li>• Two speakers</li><li>• 16' 5" (5 m) USB cable</li><li>• VGA cable</li><li>• 10 small clamps and 5 large clamps (for cable management)</li><li>• Infrared remote control</li><li>• Power cable</li><li>• CAT 5 USB extender (SMART Board® 8055i-SMP interactive flat panels only)</li><li>• SMART GoWire™ auto-launch cable with SMART Meeting Pro™ software (SMART Board 8055i-SMP interactive flat panels only)</li></ul>

## SPECIFICATIONS

SMART Board interactive flat panel – Models 8055i and 8055i-SMP

### Video and control inputs

- Bottom terminal panel
- S-Video
  - HDMI
  - VGA (×2)
  - DisplayPort
  - DVI-D

- Inside terminal panel
- USB B (×2)
  - Room control input
  - Room control output

- Side terminal panel
- USB A

#### NOTE

This can be disabled. See the *SMART Board 8055i, 8055i-SMP and 8055ie-SMP interactive flat panel user's guide* ([smarttech.com/kb/170177](http://smarttech.com/kb/170177)) for more information.

- USB B
- HDMI

### Power

- AC power inlet
- AC power pass-through

### Audio specifications

Includes two 15 W speakers

External speaker terminals 10 W + 10 W into 8 Ω of resistance

- Audio inputs
- USB
  - Dual RCA jacks (× 2)
  - Stereo 3.5 mm jack

Audio output Dual RCA jacks

## SPECIFICATIONS

SMART Board interactive flat panel – Models 8055i and 8055i-SMP

### Screen specifications

Pixel pitch	0.63 mm
Contrast ratio	2800:1
Brightness	Maximum 450 cd/m <sup>2</sup> . Typical 290 cd/m <sup>2</sup> .
Horizontal frequency	14–96 kHz (analog and digital)
Vertical frequency	24–85 Hz
Optimum resolution	1920 × 1080 at 60 Hz

### Warranty

Two-year limited equipment warranty. See your product's warranty documents for more information.

## Installation requirements

- Must be installed by trained professional installers.
- Your installers require a standard VESA® 600 mm × 400 mm mounting plate to wall-mount the interactive flat panel. The wall-mount bracket must have minimum depth of 14 mm to ensure sufficient space for speakers.
- Ensure the mounting system can support the product's weight.

## Computer requirements

You need to connect a computer to the interactive flat panel. Choose one of the following:

### SMART Board 8055i-SMP interactive flat panel

- A computer with a Windows® operating system and SMART Meeting Pro™ software installed. For a complete list of computer requirements, see the SMART Meeting Pro software release notes available at [smarttech.com/downloads](http://smarttech.com/downloads).
- A laptop with a Windows operating system that doesn't have SMART Meeting Pro software installed. You can connect this laptop to the interactive flat panel using the included SMART GoWire cable with SMART Meeting Pro software. For a complete list of computer requirements, see the SMART GoWire cable specifications ([smarttech.com/kb/151506](http://smarttech.com/kb/151506)).

### SMART Board 8055i interactive flat panel

A computer with either a Windows operating system or Mac OS X operating system software and SMART Notebook™ collaborative learning software installed. For a complete list of computer requirements, see the SMART Notebook software release notes available at [smarttech.com/downloads](http://smarttech.com/downloads).



## SPECIFICATIONS

SMART Board interactive flat panel – Models 8055i and 8055i-SMP

### Storage and operating requirements

**Power requirements (LCD panel)** 0.8A to 1.8A at 100V to 240V AC, 50 Hz to 60 Hz

**Power consumption at 77°F (25°C)** Typically up to 148 W (brightness at 80% and volume at 50), maximum 178 W (brightness and volume at maximum)

**Operating temperature** 41°F to 95°F (5°C to 35°C)

**Storage temperature** -4°F to 140°F (-20°C to 60°C)

**Humidity** 5% to 80% relative humidity, non-condensing

#### CAUTION

- The interactive flat panel is intended for indoor use only.
- Do not pour or spray liquids onto your product's electronic components.

**Ventilation requirements** Maintain a 4" (10 cm) ventilation area on all sides of your interactive flat panel to enable its cooling fans to operate. Don't store or operate your interactive flat panel in dusty environments because dust could interfere with the product's ventilation and cooling.

### Environmental

**Electrostatic discharge (ESD)**

- Designed to withstand electrostatic shock
- EN61000-4-2 severity level 3 for direct and indirect ESD (±4 kV Contact / ±8 kV Air)

**Conducted and radiated emissions**

- FCC part 15 Class A
- EN55022 / CISPR 22
- KN55022

## SPECIFICATIONS

SMART Board interactive flat panel – Models 8055i and 8055i-SMP

### Flammability rating

Electronics and connectors UL 94-V0

Mechanical parts UL 94-HB

USB cable UL VW-1 / CSA FT4

**Environmental compliance** EU RoHS and WEEE

**Regulatory certification** CB report, CE (Class A), C-Tick (Class A), FCC (Class A), UL, KCC, PSB, UL/C-US and PSE

### SMART order numbers

**SBID 8055i-SMP** SMART Board interactive flat panel. Includes a SMART Meeting Pro software license key, a SMART GoWire cable for SMART Meeting Pro software and a CAT 5 USB extender.

**SBID 8055i** SMART Board interactive flat panel. Includes a SMART Notebook software installation DVD.

### Optional accessories

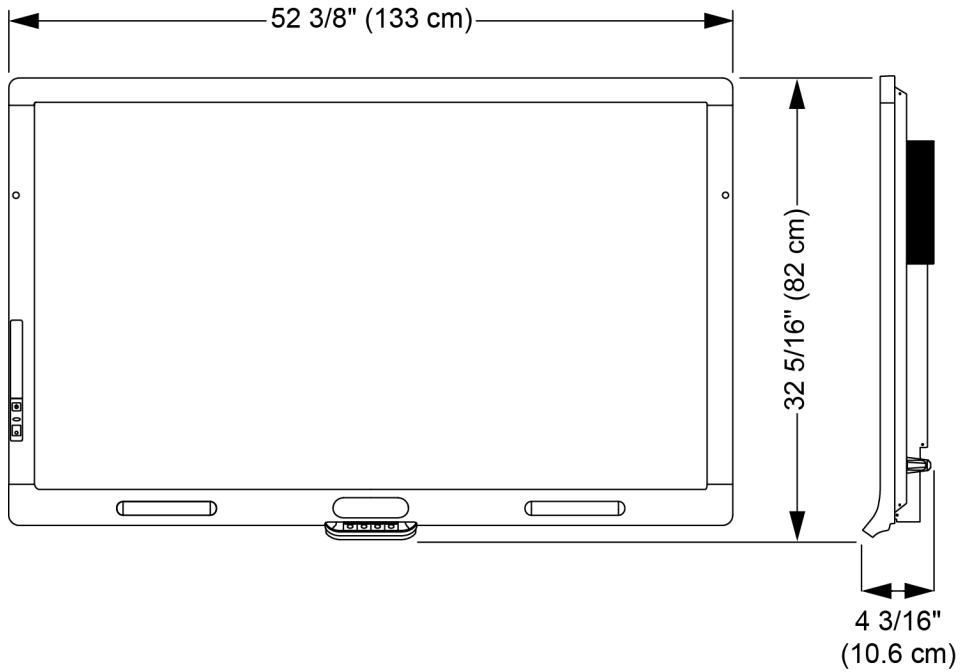
For more information on additional accessories for your SMART Board 8055i interactive flat panels, see [smarttech.com/accessories](http://smarttech.com/accessories).

## SPECIFICATIONS

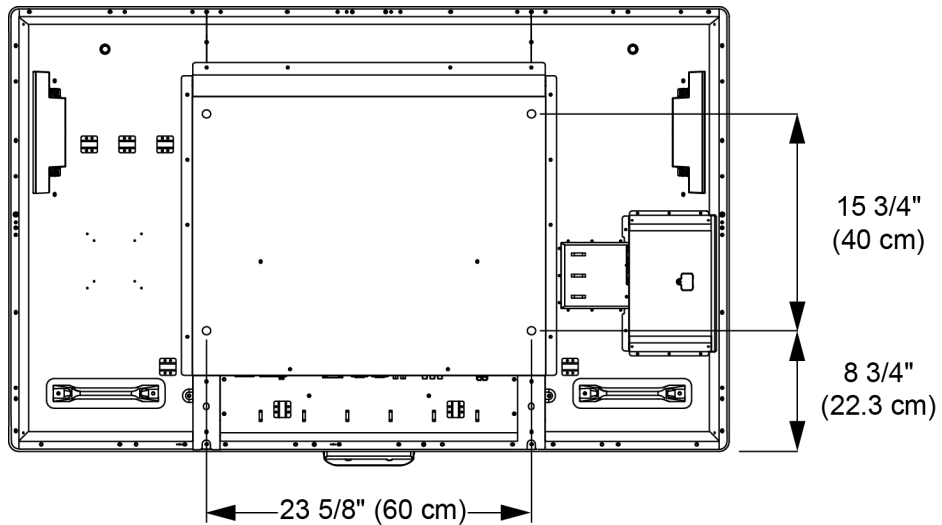
SMART Board interactive flat panel – Models 8055i and 8055i-SMP

### Physical dimensions

Front and side view



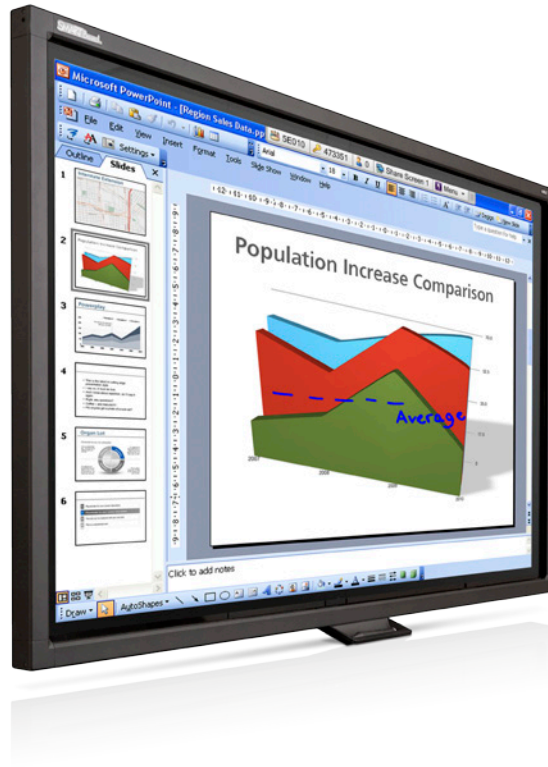
Back view



[smarttech.com/support](http://smarttech.com/support)

[smarttech.com/contactsupport](http://smarttech.com/contactsupport)

© 2012 SMART Technologies ULC. All rights reserved. SMART Board, smarttech, DVIT, SMART Meeting Pro, SMART Notebook, SMART GoWire, the SMART logo and all SMART taglines are trademarks or registered trademarks of SMART Technologies ULC in the U.S. and/or other countries. All third-party product and company names may be trademarks of their respective owners. One or more of the following patents: US6320597; US6326954; US6563491; US6741267; US6803906; US6829372; US6947032; US6954197; US6972401; US7151533; US7236162; US7411575; US7619617; US7643006; US7692625; US7755613; US7757001; US7880720; USD612396; USD616462; USD617332; USD636784. Other patents pending. Contents are subject to change without notice. 06/2012.



## SMART Board® interactive display overlay

### A powerful visual tool

The SMART Board interactive display overlay attaches to your flat-panel plasma or LCD display, giving it whiteboarding capability. It blends interactivity with brilliant visuals, making it perfect for presentations and collaboration sessions. The touch-sensitive screen enables you to use your finger or a pen to move through presentations, navigate websites or open applications and write notes in digital ink, save them to your files and share them via e-mail. The interactive display overlay is a powerful and sophisticated addition to your meeting spaces.

### Fit for your flat-panel display

Compatible with a wide variety of flat-panel display sizes and brands, the SMART Board interactive display overlay uses DVIT® (Digital Vision Touch) technology to ensure precision touch and an accurate writing experience. And the scratch-resistant surface protects your flat-panel display without compromising image quality. The included mounting straps securely attach the overlay to your flat-panel display. For a list of flat-panel plasma and LCD displays that are compatible with the overlay, visit [smarttech.com/overlaysupportedpanels](http://smarttech.com/overlaysupportedpanels).



- 1 Touch surface
- 2 Pen ledge
- 3 Interactive display overlay

### Key features

#### Precision touch

Write, erase and perform mouse functions with your finger – no special tools required. SMART's proprietary DVIT technology uses cameras to track contact on the screen, delivering a superior touch experience.

#### Digital ink

Write in digital ink over applications, websites and videos.

#### Save function

Instantly save and capture notes.

#### Protective surface

Protect your flat-panel display with an unobtrusive, scratch-resistant, touch-sensitive surface.

#### Mounting straps

Attach the overlay securely to your display with the provided straps.

#### SMART Mobile Stand for interactive displays

Add mobility to your SMART Board interactive display overlay with a height-adjustable solution that makes it easy to move the display and audio-visual equipment to a variety of meeting spaces. The stand includes integrated speakers, a locking cabinet, casters that swivel and lock, and a cabling and power-distribution system.

---

Authorized reseller:

**SMART Technologies**

Toll Free 1.866.518.6791 (U.S./Canada)

or +1.403.228.5940

[smarttech.com](http://smarttech.com)



## SMART Podium™ 500 series interactive pen display

### The 500 series offers

- Your choice of an 18.5" (47 cm) or 24" (61 cm) widescreen high-definition (HD) display
- Native 16:9 aspect ratio with flexible scaling options to support 16:10 and 4:3 resolutions
- Revision 1.3 high-bandwidth digital content protection (HDCP) compliance
- DVI or VGA connections
- Four high-speed USB 2.0 ports to connect computers and peripheral devices
- The ability to write notes in digital ink and save everything to a single file
- The ability to write within Microsoft® Office applications and save notes in the original files

Create engaging presentations and dynamic collaboration sessions with the SMART Podium 500 series interactive pen display. You can display, interact with and write over digital content on SMART Podium, all while displaying that content on a larger screen in the same room or from a remote location.

### Flexible and versatile

The versatile interactive pen display works as a powerful presentation tool and supports collaboration in virtually any learning space, from small classrooms or labs to large auditoriums. Open presentations, documents, applications, websites and multimedia files, write notes over them in digital ink and save your work for distribution or later reference. In rooms equipped with SMART Board® interactive whiteboards or displays, you can work with content from anywhere in the room and display it on the interactive whiteboard or display. And in distance education scenarios, teachers and students can share screens using SMART Bridgit® conferencing software and mark up documents and files as if they were in the same room.

### Deliver powerful presentations

With the SMART Podium interactive pen display, you can create and deliver engaging, interactive, digital presentations. Because your course material is in front of you and displayed on a large screen, you can focus on keeping students engaged. The display's tethered pen acts as a mouse to navigate content on your screen – control computer applications and write notes in multiple digital ink colors over applications, slides, websites and videos. The Smooth Tilt Stand helps support a natural writing posture. The intuitive function buttons – illuminated for dimly lit rooms – enable you to change ink colors, erase, highlight and emphasize content, access the mouse function, and save and share your work.



- 1** USB 2.0 ports – high-speed connections for peripherals such as USB drives, document cameras or personal mobile devices
- 2** Application tool buttons – launch SMART software, capture screenshots
- 3** Pen tool buttons – launch the On-Screen Keyboard, pointer or right-click function and select the eraser or pen colors
- 4** Support tool buttons – launch help and orient the screen
- 5** Magnetic pen rest – rest the tethered pen here for easy access

## Key features

### DViT® (Digital Vision Touch) technology

SMART Podium features SMART's own DViT technology. With cameras incorporated in the bezel to detect pen touch and movement, DViT provides a responsive, accurate writing experience.

### Widescreen HD interactive display

View your content in sharp detail with an 18.5" (47 cm) or 24" (61 cm) HD progressive-scan LCD display. The 18.5" display features 720p resolution. The 24" display features 1080p (full HD) resolution.

### Elegant design

SMART Podium features a slim profile, a minimized bezel with a magnetic pen rest and a reduced overall footprint, complementing virtually any learning space.

### Console buttons

Access the right-click button, select pen colors or the eraser, or launch the On-Screen Keyboard, Screen Capture tool or SMART Notebook™ collaborative learning software. The buttons are illuminated for use in dimly lit rooms. They are also preconfigured but can be programmed to suit the shortcuts you use most.

### Tethered pen

Control your computer from SMART Podium and comfortably write over any application with the

battery-free tethered pen. Because the pen is the point of contact on the interactive screen, you can rest your hand on the screen while writing notes.

### SMART Ink™

SMART Ink smooths out your handwriting to improve legibility. You can write notes over any application and save them into several common applications, including Microsoft Office 2010 programs or Adobe® Acrobat® Pro. You can also turn handwritten notes into text objects that you can manipulate.

### Smooth Tilt Stand

Smoothly and easily adjust the position of your SMART Podium, so you can comfortably rest your hand on the display while you make notes and maintain eye contact with your students.

### HDCP compliant

Ensures that HDCP-encrypted content can be displayed.

### High-speed USB 2.0 ports

Access three high-speed USB 2.0 ports to connect peripherals such as a USB drive, document camera or personal mobile device. A fourth USB 2.0 on the rear connection panel is provided to connect a computer.

### SMART Notebook software included

SMART Notebook software sets the standard for creating, delivering and managing interactive lessons within a single application. With all your instructional materials at your fingertips, you can save any notes or content you write during lessons to share with your students later. A powerful and easy-to-use application, SMART Notebook software enables you to readily deliver interactive presentations that will keep your students engaged and interested.

### Kensington security lock slot

Secure SMART Podium by connecting a compatible lock and cable.

### Future proof

Flexible video connection options (DVI or VGA), wide-format aspect ratio and scaling options ensure SMART Podium is compatible with existing and future technology investments.

### Warranty

Receive a two-year limited warranty on your SMART Podium.

### Technical specifications

#### Operating systems

The 500 series supports Microsoft Windows® and Mac OS operating systems.

SMART Podium	Size	Size with adjustable stand	Display area	Weight (with stand)
<b>18.5" display</b>	18 3/8" W × 13" H × 3" D (46.7 × 33 × 7.6 cm)	18 3/8" W × 12 5/8" H × 11 3/4" D (46.7 × 32.1 × 29.8 cm)	16 1/2" W × 9 1/2" H (41.9 × 24.1 cm) 18 1/2" (47 cm) diagonal	19 lb. 11 oz. (8.9 kg)
<b>24" display</b>	23 5/16" W × 15 13/16" H × 3" D (59.3 × 40.1 × 7.6 cm)	23 5/16" W × 15 3/8" H × 10 3/4" D (59.3 × 39 × 27.3 cm)	21 5/16" W × 12 3/16" H (54.1 × 30.9 cm) 24" (61 cm) diagonal	27 lb. 6 oz. (12.5 kg)

## Authorized reseller:

## SMART Technologies

Toll Free 1.866.518.6791 (U.S./Canada)

or +1.403.228.5940

[smarttech.com](http://smarttech.com)



## SMART Response™ LE

interactive response system

The system's wireless remotes meet universal design for learning standards, enabling students at all levels of reading or degrees of fine motor development to easily input their responses.

Gain accurate and immediate insight into comprehension among learners in early education or those with special needs. The SMART Response LE interactive response system combines wireless remotes, a receiver and powerful assessment software that integrates with SMART Notebook™ collaborative learning software. Using their remotes, students can answer questions, receive instant feedback from their teacher and stay involved in lessons.

### Gauge understanding in students at all levels

SMART Response LE includes easy-to-use, colorful remotes that feature a large LCD screen and big buttons with easy-to-understand symbols. The remotes meet universal design for learning (UDL) standards, enabling students at all levels of reading or degrees of fine motor development to easily input their responses.

### Create questions or quizzes with SMART Notebook

SMART Response LE integrates seamlessly with SMART Notebook software, providing you with a software application that enhances curriculum development, lesson delivery and evaluation. To get started, simply create true-or-false, yes-or-no, or multiple choice questions in SMART Notebook software. Each answer automatically corresponds to one of the five big and colorful buttons on the students' remotes.

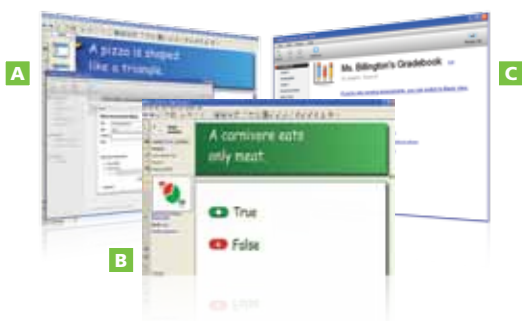
### Manage classroom data instantly and effortlessly

When students respond to questions, the system's assessment software automatically summarizes the results in a pie chart or bar graph that everyone in the room can see. The data helps teachers determine if further review is required, giving them the opportunity to adjust their teaching and be assured that every student is following the lesson.

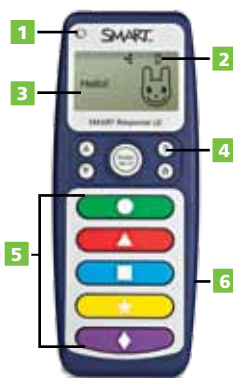
### Evaluate student progress with assessment reports

With SMART Response LE, you can access, view and manage all assessment data in one location. Tag student names or assessment questions with keywords, educational standards and cognitive levels to gain deeper insight into student learning. Create reports that are as simple or as detailed as you need.





- A** Manage data with Teacher Tools
- B** Create and deliver questions in SMART Notebook software
- C** Automatically view student responses in a pie chart or bar graph



- 1** Power button
- 2** Battery status icon
- 3** Large LCD screen display
- 4** Student question button
- 5** Student response buttons
- 6** UDL-friendly design

## Key features

### Assessment software

SMART Response LE includes a receiver, remotes and software. The system is available in 24-, 32- or 40-unit packages and is compatible with Microsoft® Windows® and Mac operating systems.

### Integration with SMART Notebook software

Open SMART Response LE assessment software from a tab in SMART Notebook. With the Gallery of more than 7,000 pieces of graphic-rich content, you can add images and other multimedia to any question or assessment.

### Question variety

Ask different types of questions, including true or false, yes or no and multiple choice.

### Lessons with integrated questions

Create questions for formative and summative assessment, prepare quizzes or exams in advance and ask spontaneous questions to gauge students' understanding.

### Anonymous mode

Allow your students to respond with complete anonymity. Students can use SMART Response LE without signing in.

### Teacher Tools

Use Teacher Tools to access reports that are automatically collected and saved to one

easy-to-access file. You can also use the built-in gradebook to track student performance and record test results throughout the year.

### Content pages

Insert content pages between questions to enhance any quiz, test or exam.

### Import content

Use questions from third-party question banks or import questions from Microsoft applications and other commonly used software programs.

### Weighted marking

Assign different point values to individual questions within a test or quiz.

### Keyword tagging

Tag student names and assessment questions with keywords.

### Educational standards tagging

Tag questions with local educational standards.

### Cognitive level tagging

Tag questions with cognitive levels.

### Remotes

#### Radio frequency technology

The system provides a reliable and convenient wireless connection between the student remotes and receiver. You don't need a line of sight, and the remote has a range of up to 100' (30 m).

### Batteries

Each remote uses two AA batteries.

### Receiver

#### Convenient maintenance

View power status through LED lights on the receiver.

#### Easy connection and installation

Connect the receiver to a computer using a USB connection. The receiver can either be mounted on a wall or placed on a desk. No extra power supply is required. Additional receivers can be added for larger class sizes.

### Specifications

#### Receiver size

4 3/4" W x 7/8" H x 2 1/4" D  
(12.0 x 2.2 x 5.7 cm)

#### Receiver weight

5 3/4 oz. (165 g)

#### Remote size

2 1/4" W x 5 5/8" H x 1 1/8" D  
(5.7 x 14.2 x 2.8 cm)

#### Remote weight

7 1/4 oz. (100 g) without batteries

### System requirements

For full system requirements, please visit [smarttech.com/response](http://smarttech.com/response).

## Authorized reseller:

## SMART Technologies

Toll Free 1.866.518.6791 (U.S./Canada)

or +1.403.228.5940

[smarttech.com](http://smarttech.com)



## SMART Response<sup>™</sup> PE

### interactive response system

**“With SMART Response, teachers have a new and interesting learning tool to help develop tests, surveys, games, lessons and presentations.”**

**Frank Moeller**, Teacher,  
Bowcroft Elementary School,  
Calgary, Alberta, Canada

Gain accurate and immediate insight into student learning with the SMART Response PE interactive response system, designed for K–12 classrooms. The system combines wireless remotes (or clickers), a receiver and powerful assessment software, so you can create planned or spontaneous quizzes and instantly tally responses. And with SMART Notebook<sup>™</sup> collaborative learning software, you can add interactive and multimedia content to your assessments, making them more engaging.

### Create assessments with ease

It's easy to prepare quizzes, tests and exams or spontaneously add questions to lessons. Using SMART Response PE with SMART Notebook software, you can create test material that can be easily integrated into any lesson or assessment activity. You can also choose from hundreds of ready-made SMART Response question sets available from the SMART Exchange<sup>™</sup> online community.

### Deliver questions efficiently

When you deliver a test to your class, students can use their remotes to instantly respond to each question. It's an ideal way to assess knowledge, since even the shyest student can feel comfortable answering questions. And there will always be enough remotes because the system is available in convenient 24- or 32-unit packages.

### Manage data effortlessly

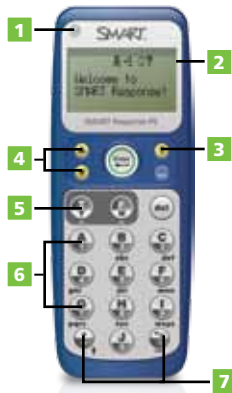
Teacher Tools is a management feature that allows you to create class lists, conduct assessments, track student test results and view performance reports – all from one location. Assessment results are automatically added to the built-in gradebook and saved in a single file, which helps you conveniently organize data.

### Evaluate results quickly

Now you can create assessment reports as simple or as detailed as you need – from personalized reports on individual students to high-level comparisons of class performance. Plus, test summaries are displayed in easy-to-read pie charts and bar graphs, allowing you to quickly evaluate performance and test results.



- A** Insert quizzes into SMART Notebook lessons
- B** Manage data with the Teacher Tools feature
- C** Access the built-in gradebook



- 1** Power button
- 2** Descriptive icons indicating battery power and network status
- 3** Student question button
- 4** Question scroll buttons
- 5** Yes-or-no, true-or-false answer buttons
- 6** Numeric, text and multiple-choice response buttons
- 7** Control buttons for fractions, decimals, and positive and negative numbers

## Key features

### Assessment software

#### Integration with SMART Notebook

Deliver dynamic assessments that feature images and other multimedia content.

#### Teacher Tools

Create class lists and set up, conduct and manage tests and quizzes – all from one location.

#### Comprehensive gradebook

Track performance with reports that are automatically collected and saved to one file.

#### Content pages

Insert content pages between questions to enhance any quiz, test or exam.

#### Multiple assessment options

Compile tests for formative and summative assessment, prepare quizzes or exams in advance and ask spontaneous questions.

#### Question variety

Design questions using six question types – true or false, yes or no, multiple choice, multiple answer, numeric and text response.

#### Import and export content

Access ready-made question sets on the SMART Exchange. SMART Response PE is also compatible with Microsoft® applications and other commonly used file formats.

### Flexible marking

Create assessments that assign different values to questions, and adjust student scores in the gradebook.

### Tagging

Tag student names and assessment questions with keywords.

### Remotes

#### Radio frequency technology

The system provides a reliable wireless connection with a range of up to 100' (30 m).

#### Large LCD screen

The screen displays three lines of text, battery power and network connection information.

#### Ergonomic design

The handheld remote is specifically designed to be comfortable for students.

#### Extended battery life

Each remote uses two AA batteries.

### Receiver

#### Easy connection and installation

The receiver uses a USB connection and can support 60 remotes.

### Convenient maintenance

LED lights indicate power status and whether information has been sent or received.

### Specifications

#### Receiver size

4 3/4" W x 7/8" H x 2 1/4" D  
(12.1 x 2.2 x 5.7 cm)

#### Receiver weight

5 3/4 oz. (156 g)

#### Remote size

2 1/4" W x 5 5/8" H x 1 1/8" D  
(5.7 x 14.3 x 2.9 cm)

#### Remote weight

7 1/4 oz. (100 g) without batteries

### System requirements

For full system requirements please visit [smarttech.com/response](http://smarttech.com/response).

## Authorized reseller:

## SMART Technologies

Toll Free 1.866.518.6791 (U.S./Canada)

or +1.403.228.5940

[smarttech.com](http://smarttech.com)



## SMART Response™ XE

### interactive response system

With intelligent grading, you can choose a range of acceptable answers for a single question.

Gain instant and ongoing insight into student understanding for middle and secondary education. The SMART Response XE interactive response system combines wireless, keyboard-style remotes (or clickers), a receiver and powerful assessment software. SMART Response XE integrates with SMART Notebook™ collaborative learning software, providing you with one application for creating lessons, delivering assessments and evaluating results.

### Support advanced math and science content

With SMART Response XE, students can respond to questions using open-ended answers. The remotes allow students to input mathematical equations and scientific functions, such as quadratic equations, giving you the ability to cover more advanced content. With the intelligent grading feature, you can also choose the range of acceptable answers for a question, allowing for multiple representations of the correct answer.

### Keep students engaged in lessons

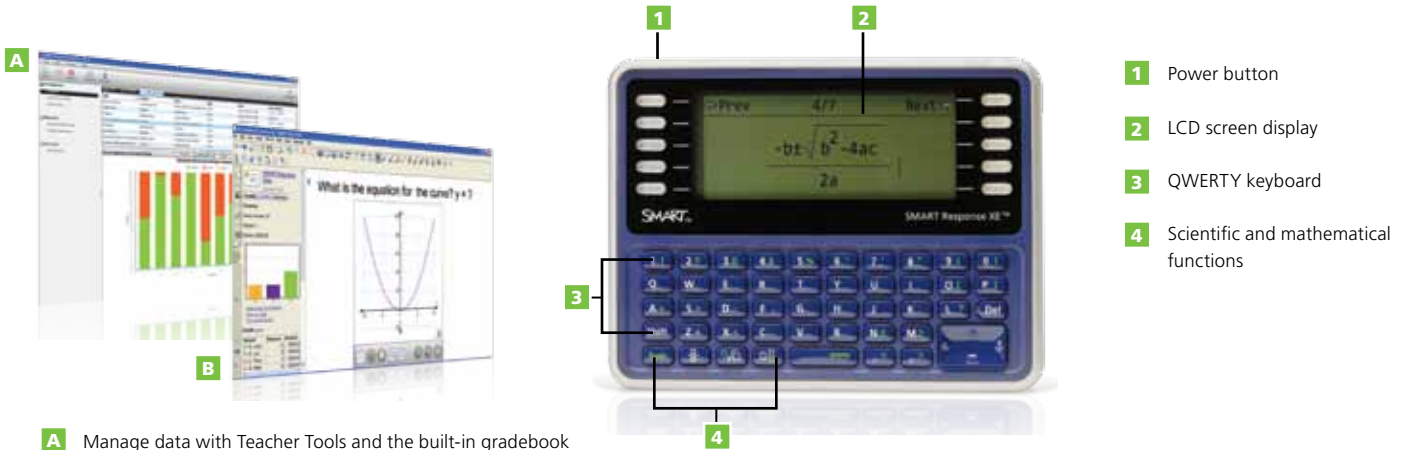
SMART Response XE helps keep students interested, involved and participating in lessons by giving them a way to individually respond to teacher questions. Students can answer questions with their handheld remotes, and once a question is complete, they receive feedback instantly and confidentially on their remotes. The class results are also shown anonymously, so students can compare and learn from each other's answers.

### Gauge student understanding

SMART Response XE enables you to deliver assessments, whether created in advance or asked spontaneously at any point during a lesson, to gauge students' comprehension. When students respond, their answers are automatically summarized in a pie chart or bar graph on a SMART Notebook page, so that you can take a closer look or add your own comments in digital ink for further review.

### Evaluate and manage student progress

With the Teacher Tools feature in SMART Response XE, you can create class lists and view and manage all student assessment data in one location. You can also use the built-in gradebook to record test scores, track performance, evaluate trends, create reports or export results to third-party gradebooks for further analysis.



**A** Manage data with Teacher Tools and the built-in gradebook

**B** Automatically summarize student responses in a pie chart or bar graph in SMART Notebook software

## Key features

### Assessment software

SMART Response XE includes a receiver, remotes and software. The system is available in 24-, 32- or 40-unit packages, and is compatible with both Microsoft® Windows® and Mac operating systems.

### Integration with SMART Notebook

Create dynamic questions and assessments by accessing SMART Response directly in SMART Notebook software. With one touch, you can deliver assessments on the SMART Board™ interactive whiteboard. You can also show assessment results on a SMART Notebook page and add comments in digital ink.

### Question variety

Ask different types of questions, including true or false, yes or no, multiple choice, text-based, math expressions and scientific functions.

### Import existing questions

Import your own questions from Microsoft Word (Windows only), a PDF (Mac only) and EXAMVIEW® (HTML). You can also download SMART Notebook lesson activities with SMART Response question sets from the SMART Exchange™ online community.

### Lessons with integrated questions

Compile tests for formative and summative assessment, prepare quizzes or exams in advance and ask spontaneous questions to gauge students' comprehension at any point during a lesson.

### Intelligent grading

Choose the range of acceptable answers for a question, allowing multiple representations of the correct answer when students provide equation-based answers for subjects such as physics or algebra.

### Display test results immediately

Automatically summarize student responses into a pie chart or bar graph. You can also view assessment progress before all students have submitted final answers.

### Anonymous mode

Allow your students to respond with complete confidentiality.

### Teacher Tools

Create class lists or import existing class lists (.xls format), and set up, conduct and manage tests and quizzes – all from one location.

### Built-in gradebook

Use the built-in gradebook to track performance and record test results, which are automatically collected and saved.

### Export assessment results

Export results in Microsoft Excel® format (.xls) or text format (.csv). Customize text files by choosing the fields required for the report, including question-level data.

### Remotes

The system uses radio frequency (RF) technology and provides a reliable and convenient wireless connection between the student remotes and receiver. You don't need a line of sight, and the remote has a range of up to 100' (30 m). Each remote uses four AAA batteries.

### Receiver

Connect the receiver to a computer using a USB connection. The receiver can either be mounted on a wall or placed on a desk. No extra power supply is required. View power status through LED lights on the receiver.

### Specifications

#### Remote size

4 2/3" W x 3 5/8" H x 5/6" D  
(11.9 x 9.2 x 2.1 cm)

#### Remote weight

6 1/4 oz (177 g) (with batteries)

#### Receiver size

4 1/4" W x 7/8" H x 2 1/4" D  
(10.8 x 2.2 x 5.7 cm)

#### Receiver weight

5 3/4 oz. (156 g)

### System requirements

For full system requirements, please visit [smarttech.com/response](http://smarttech.com/response).

## Authorized reseller:

## SMART Technologies

Toll Free 1.866.518.6791 (U.S./Canada)

or +1.403.228.5940

[smarttech.com](http://smarttech.com)



## SMART Response™ CE

interactive response software

SMART Response CE gives you immediate insight into student performance with spontaneous or planned assessments and the ability to insert a variety of questions into any lesson.

Bring accurate and immediate assessment into your computer-enabled learning environments with SMART Response CE. This specially designed interactive response software enables students to respond to questions from their own desktops or laptops. Teachers can then use the software to tally student responses, check for understanding, adjust lessons and provide in-class feedback.

### Get a clear view of student performance

SMART Response CE gives you immediate insight into student performance with spontaneous or planned assessments and the ability to insert a variety of question types into any lesson. You can then capture and graph the results right away, enabling you to assess student understanding, provide feedback, and evaluate student or class progress.

### Deliver dynamic questions and quizzes

Increase student participation and engagement by adding interactive and multimedia content, such as images, audio, video and Adobe® Flash® files to assessments created in SMART Notebook™ collaborative learning software. You can also design assessments using various question types, such as multiple choice and short answer.

### Evaluate progress with ease

With the software's Teacher Tools, you can access, view and manage assessment data in one location. This feature also enables you to create class lists, conduct assessments and view reports. You can use the built-in gradebook to record test scores, track performance and evaluate trends. The reports you create can be as simple or as detailed as you need – from personalized reports on individual students to a high-level look at class results.

### Add the power of SMART products

SMART Response CE is integrated with SMART Notebook SE (Student Edition) software, adding creativity tools and personalized features to classroom assessment. It is also sold as a component of SMART Classroom Suite™ interactive learning software, a powerful set of applications that enhance teaching and accelerate learning in any technology-enabled classroom.





**1** Insert quizzes into SMART Notebook software

**2** Manage data with the Teacher Tools feature

**3** Access the built-in gradebook

## Key features

### Integrated assessment and lessons

Add formative and summative assessments to lessons, prepare quizzes or exams in advance, and ask spontaneous questions to assess students' comprehension at any point during a lesson.

### Multiple question types

Design questions using six question types – true or false, yes or no, multiple choice, multiple answer, numeric response and short answer.

### SMART Notebook SE integration

SMART Notebook SE is a key part of SMART Response CE, adding personalized learning features to classroom assessment.

### Dynamic digital content

Create dynamic assessments that feature images and multimedia content. SMART Notebook offers more than 7,000 pieces of graphic-rich digital content.

### Teacher Tools

Access, view and manage all assessment data in one location. You can use the built-in gradebook to track performance and record test results.

### Content pages

Insert your own customized content pages in between questions to enhance any test or quiz.

### Import and export content

Visit the SMART Exchange online community to access free question sets that are created by both teachers and SMART education specialists and are correlated to state standards. SMART Response CE is also compatible with Microsoft® PowerPoint®, Word and Excel®.

### Flexible marking

Create tests that assign different values to questions. You can also mark multiple choice and short-answer questions with more than one right answer.

### Tagging

Tag student names and assessment options with keywords to track specific characteristics you can use to measure and evaluate student performance in greater detail.

## System requirements

### Teacher software

#### Windows® XP operating system

Intel® Pentium® III 750 MHz or later x86 processor  
 • 512 MB of RAM (1 GB recommended) • 420 MB free hard disk space for basic installation • 800 × 600 or higher resolution display with 32-bit color quality • Internet Explorer® Internet browser 6  
 • Adobe® Reader® 8 • Adobe Flash® Player 10 • Windows Media® Player 9 for SMART Recorder

#### Windows Vista® operating system

Intel Core™ Duo 1.5 GHz or later x86 processor  
 • 1 GB of RAM (2 GB recommended) • 420 MB free hard disk space for basic installation • 800 × 600 or higher resolution display with 32-bit color quality • Internet Explorer Internet browser 7 • Adobe Reader 8 • Adobe Flash Player 10 • Windows Media Player 11 for SMART Recorder

### Student software

#### Windows XP operating system

Intel Pentium III 750 MHz or later x86 processor • 512 MB of RAM (1 GB recommended) • 200 MB free hard disk space for basic installation • 800 × 600 or higher resolution display with 32-bit color quality • Internet Explorer Internet browser 6 • Adobe Reader 8 • Adobe Flash Player 10

#### Windows Vista operating system

Intel Core Duo 1.5 GHz or later x86 processor • 1 GB of RAM (2 GB recommended) • 200 MB free hard disk space for basic installation • 800 × 600 or higher resolution display with 32-bit color quality • Internet Explorer Internet browser 7 • Adobe Reader 8 • Adobe Flash Player 10

### Networking

SMART Response CE works with both wired and wireless networks and requires a 10 Mbps TCP/IP network interface adapter. For more about networking requirements visit [smarttech.com](http://smarttech.com).

Authorized reseller:

SMART Technologies

Toll Free 1.866.518.6791 (U.S./Canada)

or +1.403.228.5940

[smarttech.com](http://smarttech.com)



## SMART Response™ VE

interactive response system

SMART Response VE is cloud-based software that enables students to respond to planned and spontaneous questions using any Internet-enabled device, from anywhere.

Gain immediate insight into student understanding using mobile devices. The SMART Response VE interactive response system is cloud-based software that enables students to respond to questions from their Internet-enabled phones or devices. SMART Response VE integrates with SMART Notebook™ collaborative learning software, providing you with one application for creating lessons and delivering assessments.

### Engage students on any device, anywhere in the world

Keep students engaged in lessons by giving them a way to respond to questions using the mobile devices they love and use every day. During lessons, students can access the website for SMART Response VE from anywhere in the world, giving you the ability to gauge their progress and evaluate their understanding no matter where they are located.

### Integrates with SMART Notebook software

Seamlessly transition between lesson delivery and student assessment. SMART Response VE is fully integrated with SMART Notebook software, consolidating lesson creation, delivery and assessment within a single application. And because no software installation is required on students' devices, students can respond to assessments during lessons using any Internet-enabled device.

### Evaluate student understanding

Student responses are automatically summarized in a pie chart or bar graph, where you can instantly evaluate comprehension and adapt your lesson to ensure every student understands. The software also includes Teacher Tools, enabling you to view and manage all student assessment data in one location.

### Stay ahead of the technology curve

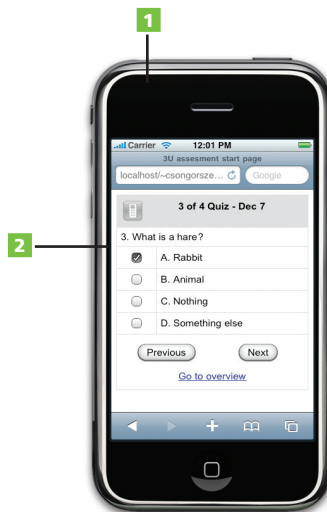
With the cost-effective subscription model, you'll always have the latest features in a future-proof solution that lowers total cost of ownership. And the browser-based software provides the flexibility of investing in a variety of mobile devices while continuing to use SMART Response VE.





**A** Manage data with Teacher Tools and the built-in gradebook

**B** Automatically summarize student responses in a pie chart or bar graph in SMART Notebook software



**1** Mobile device-enabled – for use on Internet-enabled devices, including tablets, smartphones or laptops

**2** Question types – true or false, yes or no, multiple choice, multiple answer, numeric response and short answer

## Key features

### Integration with SMART Notebook

Create dynamic questions and assessments by accessing SMART Response VE directly within SMART Notebook software. SMART Response VE is seamlessly integrated with SMART Notebook software, giving you one application for creating lessons, delivering assessments and evaluating student understanding.

### Mobile device-enabled

Students respond to assessments using Internet-enabled devices, such as computers, iPhone, iPod Touch or iPad mobile digital devices, and smartphones on the Android™ mobile technology platform or with Blackberry® OS 6.0 or 7.0. To complete assessments, students simply enter the assessment ID on the website to receive and answer the questions you have created.

### Multiple question types

Design assessments using six question types – true or false, yes or no, multiple choice, multiple answer, numeric and text response.

### Import existing questions

SMART Response VE is compatible with commonly used file formats, so you can import questions from other applications, including Microsoft® Word and PowerPoint®, a PDF and third-party question banks. Or visit the [SMART Exchange™ website](#) to download ready-made SMART Response question sets.

### Multiple assessment options

Compile tests for formative and summative assessment, prepare quizzes or exams in advance and ask spontaneous questions to gauge student comprehension at any point during a lesson.

### Content pages

Measure student comprehension during any lesson by inserting questions between content pages in SMART Notebook software.

### Weighted marking

Assign different point values to individual questions within a test or quiz, or adjust student scores in the built-in gradebook.

### Display test results immediately

Display test results in easy-to-view pie charts or graphs. You can also view results in detail, so you can see exactly how each student has performed.

### Anonymous mode

Allow your students to respond with complete confidentiality.

### Self-paced delivery

With access to questions directly on their mobile devices, students can work at their own pace without the need for paper copies or common displays.

### Built-in gradebook

Use the built-in gradebook to track performance and record test results, which are automatically collected and saved.

### Teacher Tools

Create class lists or import existing class lists (.xls format), and set up, conduct and manage tests and quizzes – all from one location.

### Tagging

Tag student names and assessment questions with keywords to track specific characteristics that will help you measure and evaluate student performance.

### Multiple print options

Print quizzes as handouts that students can complete at their own pace, or add comments to completed tests that can be printed and used later as study guides.

### Export assessment results

Export results in Microsoft Excel® format (.xls) or text format (.csv). Customize text files by choosing the fields required for the report, including question-level data.

### Privacy setting

Use the privacy mode in the system's built-in gradebook to ensure sensitive student identification details and test scores aren't seen by other students or teachers.

### System requirements

SMART Response VE is compatible with both Microsoft Windows® and Mac operating systems. For full system requirements, please visit [smarttech.com/response](http://smarttech.com/response).

## Authorized reseller:

## SMART Technologies

Toll Free 1.866.518.6791 (U.S./Canada)

or +1.403.228.5940

[smarttech.com](http://smarttech.com)



## SMART Slate™ wireless slate

When you use the SMART Slate wireless slate, you can interact with digital lessons no matter where you are in the classroom. The SMART Slate enables you to control applications, add notes and highlight information whether you're at the front of the room, the back of the class or by a student's side.



The SMART Slate brings new possibilities to your classroom by giving you and your students the freedom to interact with digital content from anywhere in the room. Use the SMART Slate to control applications, add notes and highlight information, while your work is projected for the whole class to see.

### Gain mobility in your teaching

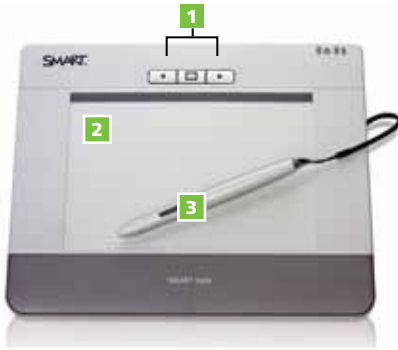
The SMART Slate connects wirelessly to your computer, and has a slim design for easy transport around the classroom as you teach. It enables you to control applications wirelessly, and as you use the pen to write on the slate's surface your handwriting displays on both your computer screen and the SMART Board™ interactive whiteboard or projection screen for the entire class to see.

### Complement any classroom

The SMART Slate is versatile – it fits into a variety of technology-enabled classrooms and connects wirelessly to your computer from up to 32' (10 m) away. On its own, the SMART Slate functions easily with a computer and projector. When integrated with a SMART Board interactive whiteboard or SMART Podium™ interactive pen display, the SMART Slate gives you even more ways to shift seamlessly between whole-class, small-group and individual instruction. It gives you the flexibility to involve one student on the interactive whiteboard at the same time as a classmate writes on the SMART Slate.

### Engage all students

Reach all the students in your classroom. Write out a math problem using the SMART Slate, and then hand it to students to fill in the answer and their work is visible for the whole class to see. The SMART Slate makes it easier to involve students with limited mobility, giving them the opportunity to solve problems or demonstrate their knowledge from their desks.



- 1** Programmable buttons
- 2** Active screen area
- 3** Battery-free tethered pen

## Specifications

### Active area

6 3/4" W x 4 1/4" H  
(17.3 x 10.8 cm)

### Size

10 3/8" W x 8 1/2" H x 1" D  
(26.4 x 21.6 x 2.6 cm)

### Weight

1 lb. 4 oz  
(600 g)

## Key features

### Seamless classroom integration

The SMART Slate enables you to wirelessly control your SMART Board interactive whiteboard or SMART Podium interactive pen display, and it is fully compatible with SMART Notebook™ collaborative learning software.

### Simultaneous interaction

A student can write on the SMART Board interactive whiteboard at the same time as a classmate writes on the SMART Slate.

### Integration with ink-aware applications

The SMART Slate enables you to write and save notes directly into ink-aware applications such as Microsoft® Word, Excel® or PowerPoint®.

### Battery-free, tethered pen

The SMART Slate includes a battery-free, tethered pen that is used on the slate's surface to control applications and write in digital ink. The maintenance-free pen also has a programmable button and dedicated eraser.

### Printed underlay

With the SMART Slate, you'll have access to printable sheets that fit under the plastic cover of the surface. Each underlay features customizable icons for quick access to tools such as the pen, eraser, right-click or screen capture.

### Electromagnetic surface

The 6 3/4" x 4 1/4" (17.3 x 10.8 cm) electromagnetic screen only recognizes the pen as an input, so you can naturally rest your hand on the surface. The active area becomes proportional to any screen size for accurate contact.

## Programmable buttons

Easily access your favorite functions by customizing the user-defined buttons. There are three programmable buttons on the SMART Slate and one on the pen.

## Rechargeable lithium-ion battery

The SMART Slate's battery allows for 24 hours of continuous use, and has a charge time of 6.5 hours. Charge the battery by attaching it to your computer with the included USB cable. The SMART Slate's power switch ensures that the battery doesn't drain during periods of non-use.

## Bluetooth® adapter

The slate's Class 2 Bluetooth adapter has an expected range of 32' (10 m) and a maximum range of 164' (50 m) in free space.

## Ergonomic and portable design

The SMART Slate has a small, light form factor for improved ergonomics and easy transport around the classroom.

## Kensington security lock

If you need to secure the SMART Slate in a room, the Kensington security lock provides an easy way to attach a lock-and-cable apparatus.

## International language support

The SMART Slate supports the following nine languages: English (U.S. and UK), Brazilian Portuguese, Simplified Chinese, French, German, Mexican Spanish, Russian, Arabic and Castilian (European) Spanish.

## System requirements

### Windows® operating system

Pentium® III 750 MHz processor  
512 MB of RAM (1 GB recommended)  
250 MB of free hard disk space for minimum installation (1 GB for full installation with Gallery Collections)  
Windows XP or Windows Vista® or Windows 7 operating system  
Internet Explorer® Internet browser 6.0 or later  
Adobe® Flash® Player 8  
Microsoft DirectX® application programming interface 8.1 or later (required for SMART Video Player)

### Mac support

Mac operating system 1 GHz PowerPC® G4 or G5 processors or Intel processors (universal binary)  
512 MB of RAM  
250 MB of free hard disk space for minimum installation (1 GB for full installation with Gallery collections)  
Mac OS X 10.5.0 operating system software or later  
Safari application program 1.3.2 or later  
Adobe Flash Player 10 or later  
SMART Board Drivers - service pack 10 or later

## Authorized reseller:

## SMART Technologies

Toll Free 1.866.518.6791 (U.S./Canada)

or +1.403.228.5940

[smarttech.com](http://smarttech.com)



## SMART Document Camera



The SMART Document Camera uses a high-resolution video camera to display clear and detailed images in real time.

Instantly transform any object into digital content with the SMART Document Camera. It enables you to engage students by displaying instructional materials or student work in real time. You can also capture high-quality images and video with SMART Notebook software so you can save time, share lesson materials and address your students' multiple learning styles.

### Display digital images in real time

The SMART Document Camera can help you add spontaneity and interactivity to your classroom, keeping students interested in learning. Use it during a lesson to show real-time images to your entire class on a SMART Board<sup>™</sup> interactive whiteboard. You can also capture images or video and instantly transform them into digital content for your lessons.

### Show clear, detailed close-ups

With a 5.2x optical and 8.0x digital zoom, the document camera delivers sharp, vivid images every time. Quickly direct learning by zooming in on the smallest detail or automatically focus images and adjust the brightness for varying light levels. And, the camera's LED lamp provides enough light for you to show images in a darkened room. You can even align the camera lens to a microscope eyepiece without needing an adapter.

### Create interactive lesson content

The document camera comes with SMART Notebook software, which enables you to capture images and add them directly to a SMART Notebook page. The software has many creative features to help you easily turn captured images into interactive material for lessons. You can operate the camera using control buttons built into the software.

### Get started quickly in any location

It's easy for students and teachers to set up and use the SMART Document Camera. It conveniently connects to a computer, SMART Board interactive whiteboard or other display device. The document camera is also easy to share – carry it between classrooms or move it anywhere in a room. It's lightweight, and you can use a Kensington<sup>®</sup> cable lock to ensure it's stored securely in any classroom.



- 1** Zoom and automatic focus
- 2** Rotating head and arm
- 3** LED lamp
- 4** Camera lens
- 5** SD Memory Card slot
- 6** Removable presentation stage
- 7** Control panel

**Key features**

**SMART Notebook software integration**

Operate the camera through control buttons built into the software to capture images and add them directly to a SMART Notebook page. You can also write over static or moving images with live annotations.

**Intuitive control panel**

The camera's control buttons are clearly marked and easy to use. Quickly access them to adjust any setting.

**Optical and digital zoom**

Get sharp, detailed images with the camera's 5.2x optical and 8.0x digital zoom.

**Removable presentation stage**

The stage is separate from the document camera, so you can move it anywhere in the room.

**Rotating head and arm**

Rotate the head vertically 90 degrees and the arm horizontally 180 degrees to view an object from any angle.

**Microscope mode**

Quickly align the document camera's lens to a microscope eyepiece without needing an optical adapter.

**SD Memory Card slot**

Use an SD Memory Card (not included) to save your work even when the document camera is not connected to a computer.

**Warranty**

The SMART Document Camera comes with a five-year warranty.

**Accessories (included)**

AC adapter, anti-glare sheet (A5 size), RGB cable, user's guide, removable presentation stage, TWAIN driver, magnetic sheet, Image Mate software

**Specifications**

**Set up size**

13 7/8" H x 14 5/8" W x 16 1/4" D  
(35.2 cm x 37.1 cm x 41.2 cm)

**Folded size**

17 1/2" H x 7 3/4" W x 10" D  
(44.5 cm x 19.7 cm x 25.4 cm)

**Presentation stage size**

9" x 12" (22.9 cm x 30.5 cm)

**Weight**

6.4 lb (2.9 kg)

**Authorized Reseller:**

**SMART Technologies**

Toll Free 1.866.518.6791 (U.S./Canada)

or +1.403.228.5940

[smarttech.com](http://smarttech.com)



## SMART Audio™ classroom amplification system

### **Make the most of your investment**

SMART Audio helps you make the most of your investment by connecting with your school's existing intercom or paging systems, so your classroom audio will mute if an announcement is made over the school-wide system. If you have a security system, the alarm can be set to activate from your microphone.

The SMART Audio classroom amplification system fosters deeper engagement by evenly distributing sound throughout the classroom, which helps students focus on lessons with fewer distractions. In fact, research has shown that classroom amplification can improve standardized test scores by 10 percent.\* With its innovative features like one-touch integration with SMART Notebook™ collaborative learning software, SMART Audio is an easy-to-use classroom amplification system that can help your students stay focused.

### **Amplify learning**

When students miss a few words, they can miss out on a lot. This is especially true for auditory learners, English language acquisition students and students who are just beginning to master speech and language. With SMART Audio, you can be confident that your voice will be amplified evenly throughout the classroom, so your students can get the information they need.

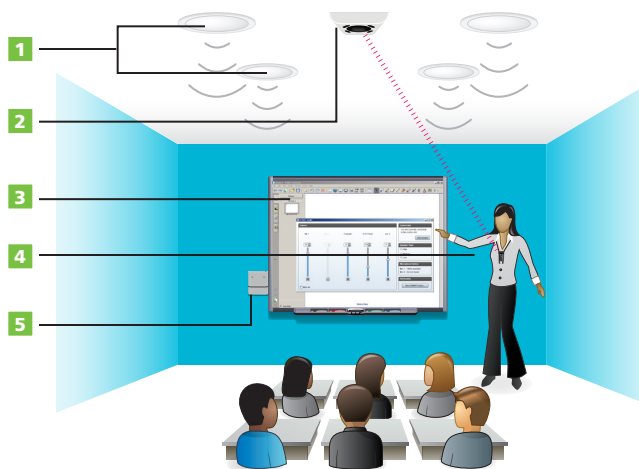
### **Speak volumes**

To help ensure your words rise above the ambient noise of your classroom without causing vocal strain, SMART Audio includes a wireless infrared microphone, four wall- or ceiling-mounted speakers, a room module that combines an amplifier and infrared sensor, and a control unit that provides a USB connection to the computer.

### **Enhance lessons**

SMART Audio enhances multimedia material in your lessons by connecting to portable MP3 players, DVD players and other devices. You can adjust your audio without interruption by accessing SMART Audio directly from within your lesson. SMART Audio is the only classroom amplification system that integrates seamlessly with SMART Notebook software and the SMART Board™ interactive whiteboard. This saves time and makes lessons flow smoothly by enabling you to control all of your audio with one touch.

\*Gertel, S., McCarty, P., & Schoff, L. (2004). High performance schools equals high performing students. *Educational Facility Planner*, 39(3), 20-24.



- 1 Speaker system
- 2 Room module
- 3 SMART Notebook software
- 4 Infrared microphone
- 5 Control unit

## Key features

### Integration with SMART Notebook software

SMART Audio seamlessly integrates with SMART Notebook software so you can control all of your audio with one simple touch, which helps lessons flow smoothly with fewer distractions.

### Audio control

SMART Audio enables you to control the volume for up to five inputs, including the teacher's microphone, an optional second microphone, a CD, DVD, and MP3 player, or any other audio source on your computer.

### Infrared microphone

The lightweight (3 oz.) infrared microphone can be worn on your belt or a lanyard or held in your hand. It's equipped with volume controls, including mute, a rechargeable lithium-ion polymer battery, a protective silicone sleeve and a charging cradle.

### Microphone input

The microphone's line input enables you to connect an iPod or any other MP3 player and amplify audio through the system while the microphone input connects with an optional external microphone.

### Room module

The ceiling-mounted room module houses the infrared sensor for the microphone signal and acts as an amplifier. It has a relay output that allows you to activate external devices, such as blinds or silent alarms, from a programmable button on the infrared microphone.

### Control unit

The control unit features USB connectivity to your computer, the system's power button and power supply, two auxiliary inputs and one auxiliary output. It connects to the room module via a Cat5 cable.

### Paging override

SMART Audio can integrate with a school's existing infrastructure to broadcast school-wide announcements.

### Speaker system

SMART Audio includes four wall- or ceiling-mounted speakers that are 15-watt RMS.

### Configuration software

The configuration software for SMART Audio enables system administrators to designate audio settings during installation and to set the paging override when paging or intercom audio is present.

### Optional accessories

The optional accessories for SMART Audio include a microphone with a headpiece, a second infrared microphone for student use and infrared expansion sensors that increase the microphone coverage for larger classrooms.

### Warranty

The hardware components for SMART Audio come with a two-year warranty. The lithium-ion battery has a one-year warranty.

## Specifications

### Infrared transmitting microphone

- Size – 2 1/8" W x 4 1/4" H x 3/4" D (5.3 cm x 11 cm x 1.9 cm)
- Weight – 3 oz. (91 g)
- Battery – 3.7V lithium ion
- Charging cradle

### Room module

- Size – 8" W x 2 1/2" H x 6 1/4" D (20.3 cm x 6 cm x 15.8 cm)
- Weight – 1 lb. 12 oz. (0.8 kg)

### Control unit

- Size – 8 1/4" W x 9 1/2" H x 1 7/8" D (20.4 cm x 23.9 cm x 4.7 cm)
- Weight – 1 lb. 8 oz. (0.68 kg)

### Ceiling speakers

- Number of speakers – 4
- Size – 9 1/2" x 6" D (24.1 cm x 15.2 cm)
- Weight – 3 lb. 3 oz. (1.48 kg)

### Wall speakers

- Number of speakers – 4
- Size – 5 1/2" W x 7 3/4" H x 5 1/4" D (14 cm x 19.7 cm x 13.3 cm)
- Weight – 3 lb. 12 oz. (1.72 kg)

### System requirements

For full system requirements, please visit [smarttech.com/audio](http://smarttech.com/audio).

## Authorized reseller:

## SMART Technologies

Toll Free 1.866.518.6791 (U.S./Canada)

or +1.403.228.5940

[smarttech.com](http://smarttech.com)





## SMART Classroom Suite™

interactive learning software

"We installed it a few months ago and all four teachers say it is the best thing we ever purchased. Teachers are able to have much better transition time when beginning a lesson and when navigating from web page to web page. This saves time and has a positive effect on classroom management."

**Janice Uptegrove**, Director of Technology, Grain Valley R-5 School District, Grain Valley, Missouri, United States

SMART Classroom Suite interactive learning software is an integrated software suite designed specifically for teachers and students to use in a computer-enabled classroom. It combines SMART Notebook™ collaborative learning software, SMART Sync™ classroom management software, SMART Notebook SE (Student Edition) software and SMART Response™ CE interactive response software.

### Create more engaging lessons

With SMART Classroom Suite software, teachers can efficiently manage their classrooms and deliver lessons. And its easy-to-use lesson creation tools help teachers prepare engaging multimedia lessons. Each component of SMART Classroom Suite has an intuitive interface that enables teachers and students to get started right away. Teachers can also easily access the SMART Exchange™ website from the toolbar with one touch to find great lessons from other teachers or to share their own.

### Teach using multiple strategies

Support whole-class, small-group and individual learning by switching from one style of instruction to another – all with one integrated software suite. And with the student-computer management tools, teachers have a thumbnail view of each computer screen in the class to help keep students focused on learning.

### Help students stay organized

SMART Classroom Suite encourages students to participate in learning by enabling them to take notes, create digital material and organize their files any way they like.

### Proactively assess student progress

Because SMART Response CE software is part of the suite, teachers can have immediate insight into student performance using spontaneous or planned assessments and by inserting a variety of question types into any lesson. Teachers can instantly capture and graph the results, so they know when to review a concept or give students extra help.





- 1 SMART Sync gives teachers a thumbnail view of all student screens
- 2 Creating interactive lessons is easy using SMART Notebook
- 3 Students can stay organized with SMART Notebook SE
- 4 Teachers can get a clear view of student performance using SMART Response CE

## Key features

The suite consists of SMART Sync classroom management software, SMART Response CE interactive response software, SMART Notebook SE (Student Edition) software and SMART Notebook collaborative learning software.

### SMART Classroom Suite software

- **Software integration** – Teachers can make class time more efficient by using one integrated software suite to teach, assess and manage their classrooms
- **Flexible instruction options** – Teachers can easily move from whole-class to small-group and individual instruction using a single software suite
- **Simple consolidated installation** – SMART Classroom Suite makes it simpler than ever to manage all of your SMART software and hardware products by consolidating the software installations into one. Network administrators can also install the student and teacher software over a network using an automated installation manager.
- **Master class list** – SMART Sync and SMART Response share one master class list, which ensures consistency and simplicity and saves time

### SMART Sync software

- **Student collaboration support** – Teachers can organize students into random groups, where they can work on assignments and share screens without leaving their computers
- **Convenient monitoring** – Teachers can observe the screens of all the students in their class from their computers
- **Ability to lock screens** – Teachers can quickly capture their students' attention by locking screens using a customizable message
- **Screen broadcasting** – Teachers can demonstrate a concept or example by projecting their desktop to the entire class

- **Robust network support** – Teachers and students can quickly connect and stay connected to a school's wired or wireless network
- **Convenient monitoring** – Teachers can observe the screens of all the students in their class from their computers

### SMART Response CE software

- **Integrated assessment and lessons** – Teachers can create instant or planned assessments or insert questions into any lesson to gain insight into student understanding
- **Multiple question types** – Teachers can design questions using six question types – true or false, yes or no, multiple choice, multiple answer, numeric response and short answer
- **Teacher Tools** – Teachers can access, view and manage all assessment data in one location and use the built-in gradebook to track performance and record test results

### SMART Notebook SE software

- **My Home** – Students can personalize their home page with photos, images and information
- **My Binder** – Students can easily organize their schedules, assignments and class notes by labeling their files with keywords and other tags
- **Multiple search options** – Students can conduct file searches by keyword, subject or due date using a search box or tag cloud

### SMART Notebook software

- **Lesson resources** – Teachers can find or share lessons on the SMART Exchange website and enhance their lessons using more than 7,000 images and multimedia learning objects in SMART Notebook software's Gallery
- **Import questions** – Teachers can import questions from third-party question banks, including EXAMVIEW® Test Generator by eInstruction™

- **Export results** – Teachers can also export results in text (.csv) format for further analysis, or upload into third-party gradebooks, including PowerTeacher® by Pearson, GradeSpeed™ Gradebook by Schoolnet® and more
- **Lesson creation and delivery tools** – Teachers can create and deliver interactive lessons using a variety of drawing, annotation and presentation tools

## Requirements

### Teacher system requirements

**Windows® XP** – Intel® Pentium® III 750 MHz or later Processor, 512 MB of RAM (1 GB recommended)  
**Windows Vista® or Windows 7** – Intel Core™ Duo 1.5 GHz or later processor, 1 GB of RAM (2 GB recommended) • 600 MB of free hard disk space (1.2 GB for full installation with Gallery content) • 800 × 600 or higher resolution display with 32-bit color quality • Internet Explorer® Internet browser 6 or later • Adobe® Reader® 8 or later • Adobe Flash® Player 10 or later • Windows Media® Player 9 or later for SMART Recorder • DirectX® 8.1 or later for SMART Video Player

### Student system requirements

**Windows XP** – Intel Pentium III 750 MHz or later processor, 512 MB of RAM (1 GB recommended)  
**Windows Vista or Windows 7** – Intel Core Duo 1.5 GHz or later processor, 1 GB of RAM (2 GB recommended) • 410 MB of free hard disk space (1 GB for full installation with Gallery content) • 800 × 600 or higher resolution display with 32-bit color quality • Internet Explorer Internet browser 6 or later • Adobe Reader 8 or later • Adobe Flash Player 10 • Windows Media Player 9 or later for SMART Recorder • DirectX 8.1 or later for SMART Video Player

### Network

802.11 a/g wireless network (minimum) • 100 Mbps wired network or 802.11 n wireless network (recommended)

## Authorized reseller:

## SMART Technologies

Toll Free 1.866.518.6791 (U.S./Canada)

or +1.403.228.5940

[smarttech.com](http://smarttech.com)



## SMART Sync™ classroom management software

### Get more out of class time

A recent customer survey shows that, on average, SMART Sync saves teachers 14 minutes of class time per 50-minute class.

To read the full report, visit [smarttech.com/syncreport](http://smarttech.com/syncreport).

SMART Sync classroom management software helps students stay focused on learning. This intuitive software helps you streamline classroom management in your computer-enabled environments. With SMART Sync, you can guide students' collaboration in a group setting while still communicating with your entire class.

### Monitor student activity with ease

View student computer screens on your computer desktop as full-sized or thumbnail images that can be sorted to match your classroom layout. You can also see the software programs students are using, making monitoring even easier.

### Enable student collaboration

With SMART Sync, you can organize students into small groups and guide their collaboration, while still maintaining whole-class instruction. Give students an assignment to work on individually, and then use SMART Sync to randomly organize them into groups so they can team up and develop a consensus by sharing screens and collaborating.

### Keep students focused on learning

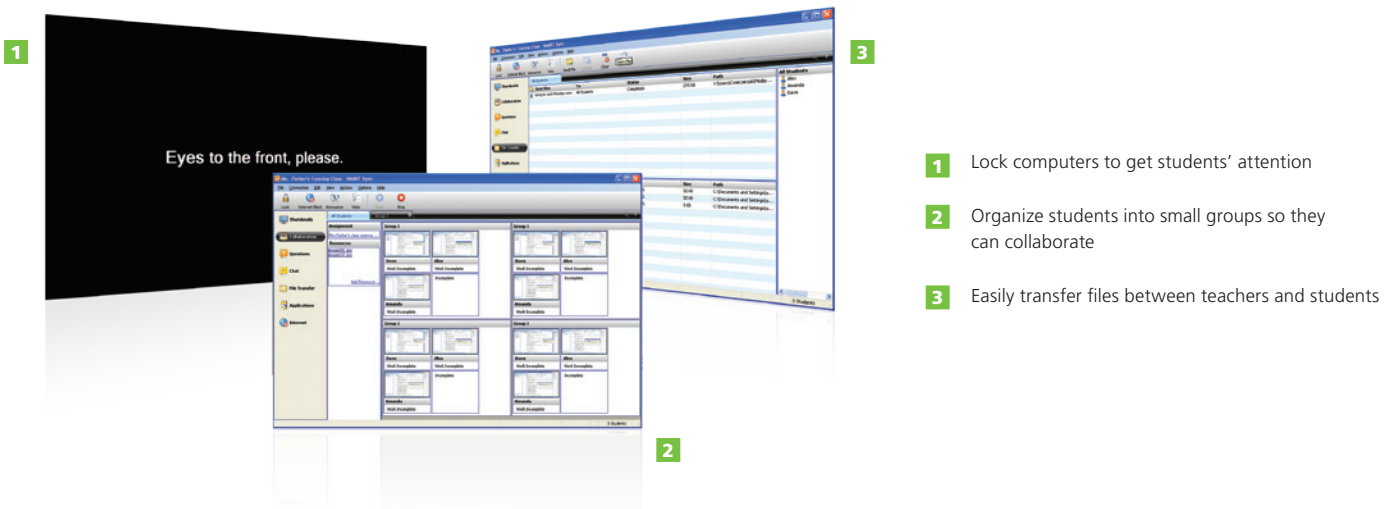
SMART Sync lets you control access to the Internet or restrict students from using certain applications, such as games and instant messaging. You can also take control of a student's computer to guide him or her remotely through a task or problem, and students can send you private questions without disturbing the class.

### Connect to your students and your network

Use SMART Sync in your wireless computer environments. The software enables you to quickly connect and stay connected to your school network, so you can focus on guiding and supporting your students' learning, instead of dealing with connectivity issues.

### Broadcast to multiple screens

Share your desktop or a student's desktop with everyone in the room, so they can watch as you demonstrate a concept, open a program or web page, or play a video. Or, get everyone's attention by locking all computer screens using a custom message.



## Key features

### Monitor

- Observe all student screens from your desk
- Group, resize and arrange thumbnail images of student desktops

### Focus

- Lock one student's computer, selected groups of computers or every computer in the room
- Block Internet access or allow only selected websites
- Stop one or more students from accessing applications such as games, instant messaging or other programs

### Support

- Chat with students and answer their questions directly
- Remotely take control of computers so you can guide your students through particular tasks

### Collaborate

- Group students randomly and let them work together on an assignment from their own computers
- Create a controlled chat environment between groups or the whole class

### Share

- Demonstrate a concept by sharing your screen or any student's screen with the rest of the class
- Open and close web pages or applications on each student's desktop
- Send documents to students or collect assignments without leaving your computer

## Administrate

- Shut down, log off or restart all computers simultaneously with a single mouse click
- Connect and stay connected to your wireless network, and your students
- Add devices such as laptops and tablet computers to your class network
- Install SMART Sync on all student computers automatically using an .msi file
- Create SMART school files (.school) that contain information about students, teachers, classes and computer labs in your school. With a SMART school file, teachers can connect to the right student at the right time and apply predefined application and Internet blocking rules.
- Manage your learning environment even if you have computers with both Mac and Windows operating systems
- Collaborate and manage a class in a learning environment enabled with Microsoft MultiPoint Server

## System requirements

### Windows® operating system

#### Teacher and system

#### administrator computers

- Pentium® III 600 MHz processor • 256 MB of RAM • 100 MB of free hard disk space • Windows XP, Windows Vista® or Windows 7 operating system • 800 x 600 or higher resolution display with 16-bit color quality • Internet Explorer® Internet browser version 5.0 or later
- DirectX® technology version 7.0a or later

## Student computers

- Pentium III 500 MHz processor • 128 MB of RAM • 55 MB of free hard disk space • Windows XP, Windows Vista or Windows 7 operating system • 600 x 480 or higher resolution display with 16-bit color quality • Internet Explorer Internet browser version 5.0 or later • DirectX technology version 7.0a or later

## Mac operating system

### Teacher and system

#### administrator computers

- Intel® processor • 512 MB of RAM (1 GB recommended) • 270 MB of free hard disk space • Mac OS X 10.5.4 or later operating system software • 1024 x 768 or higher resolution display with 32-bit (millions) color quality

## Student computers

- Intel processor • 512 MB of RAM (1 GB recommended) • 270 MB of free hard disk space • Mac OS X 10.5.4 or later operating system software • 1024 x 768 or higher resolution display with 32-bit (millions) color quality

## Network

- 802.11 a/g wireless network (minimum)
- 100 Mbps wired network or 802.11 in wireless network (recommended)

## Authorized reseller:

## SMART Technologies

Toll Free 1.866.518.6791 (U.S./Canada)

or +1.403.228.5940

[smarttech.com](http://smarttech.com)



## SMART Ideas<sup>™</sup>

concept-mapping software

*“SMART Ideas software helps our teachers integrate technology into their classes and has blown our staff away by how easy it is to learn and implement.”*

**Sheri Gunville**, Integrated Learning Consultant, Saskatchewan Rivers School Division #119, Prince Albert, Saskatchewan, Canada

Help students visualize abstract concepts and complex ideas with SMART Ideas concept-mapping software. It allows teachers to create dynamic and colorful maps with shapes and connectors, making lessons easier for students to understand and classroom work a lot more fun.

### Make ideas and connections visual

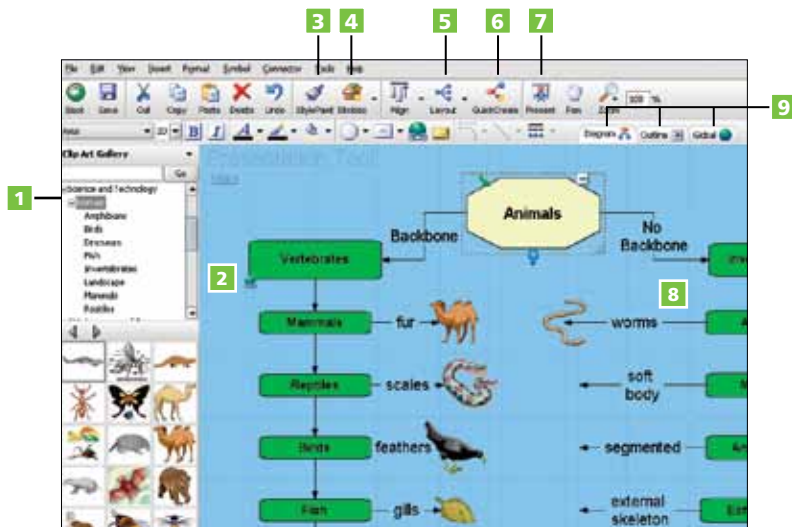
Using SMART Ideas software, teachers and students can drag colorful shapes and connectors to create a concept map. Then they can enhance the map with curriculum-specific and interactive clip art that adds interest and helps make learning engaging and visual. They can also easily attach links to files and multimedia content for even more impact.

Optimized for use with SMART Board<sup>™</sup> interactive whiteboards, the concept maps teachers create become the focal point for interactive and highly engaging lessons. And because handwriting converts easily to text, notes written in digital ink can be quickly incorporated into maps.

### Add levels of learning

SMART Ideas software lets teachers create multilevel maps that take students through concepts one level at a time for greater clarity. Teachers can easily switch between the diagram and outline views to demonstrate the connection between visual and written ideas. They can also use global view to show all map levels at once and presentation view to remove toolbars for ease of viewing.

In class, students can use SMART Ideas to build their own concept maps, working on their own or together in collaborative brainstorming exercises. Outside the classroom, SMART Ideas software becomes a flexible planning and presentation tool. Teachers can use multilevel maps to plan semesters and lessons with all the supporting documents attached.



- 1 Gallery – Organize groups of collections yourself
- 2 Hyperlink – Attach files to your document
- 3 Style Paint – Copy formatting from one object to another
- 4 Sticky symbols – Layer objects and move as one
- 5 Layout – Automatically select map format
- 6 Quick Create – Rapidly create a connected diagram
- 7 Presentation mode – Remove toolbars
- 8 Work space grid
- 9 Multiple views

### Visually explore ideas

#### Style collections

Drag and drop ready-made symbols, basic and deluxe connectors, images and interactive clip art.

#### Visual effects

Change connector styles, and add patterns, images and shading to symbols.

#### Clip-art Gallery and cliplets

Use over 2,000 resizable pieces of clip art, organized by curriculum topic. Or use cliplets to tell time, measure angles and much more.

#### Multiple views

Switch between the Diagram view or the text-based Outline view to demonstrate the connection between visual and written ideas. Or show all map levels at once in the Global view.

#### Presentation mode

Automatically remove toolbars for ease of viewing.

#### Layout

Choose a layout style that will automatically organize diagrams.

#### Sticky symbols

Layer objects and move them together to easily categorize ideas.

### Build on concepts

#### Multilevel diagrams

Add sublevels to symbols to create multilevel diagrams, and then export maps to create navigable websites.

#### Hyperlinks

Add links or attachments to files, websites and levels within diagrams. Link to multimedia files and play them within SMART Ideas software.

#### Quick Create

Create new, linked symbols with a single keystroke.

#### Collapse and expand levels

Collapse or expand tree diagrams, one branch at a time.

#### Legend creation

Easily create legends to emphasize meaning in symbols and their relationship to information.

#### Simple integration

##### Save in easy-to-share formats

Save concept maps as a Microsoft® Word documents, HTML files or image files, keeping all map levels intact.

#### Cross-platform compatibility

Open maps on both Microsoft Windows® and Mac OS X operating systems.

### Integration with the SMART Board interactive whiteboard

Use with a SMART Board interactive whiteboard for touch control, handwriting recognition and more.

#### System requirements

##### System requirements for Windows operating systems

- Pentium®-class computer
- 128 MB RAM
- Windows XP or Windows Vista® operating systems
- Available for use on a Tablet PC

##### System requirements for Mac OS operating systems (version 10.3 or later)

- Power Macintosh computer
- 128 MB RAM
- 20 MB of free hard disk space for minimum installation (102 MB for full installation with clip art collections)

## Authorized reseller:

## SMART Technologies

Toll Free 1.866.518.6791 (U.S./Canada)

or +1.403.228.5940

[smarttech.com](http://smarttech.com)





## SMART Notebook™ 11

### collaborative learning software

SMART Notebook software offers more creative power and flexibility than ever before, with many new tools and features to help you create and deliver lessons more easily, more quickly and with greater impact. SMART Notebook also gives you the flexibility to create more extraordinary learning moments in your classroom.

*"I'm finding the tools in the right place at the right time. It's like the design team designed the accessibility and interaction with a teacher's mind and placed the tools where we naturally go to find them."*

Ronald Fisher, Teacher,  
Century Elementary School,  
Bear River City, Utah, United States

### Create lessons with ease

Using SMART Notebook software just comes naturally – whether you're a first-time user or an expert. The icons and menus are intuitive, so you always know what to do next. The adaptive toolbar puts all the creative tools at your fingertips – fewer clicks means everything you do is easier and faster. When you choose a tool, the menu options change accordingly, so everything you need is always in the right place. And the activity builder makes it easy to create sorting and labeling activities that are interactive and engaging.

### Access a wealth of content

SMART Notebook software provides easy access to a wide selection of content. With the embedded browser, any web resource can instantly become part of your SMART Notebook lesson. Add a live web page directly to a SMART Notebook software page, and it becomes an object that you can write over in digital ink, resize or interact with. And since the browser is embedded, everything happens within the software, so you never have to leave your lesson. You can also access over 50,000 learning resources on the SMART Exchange™ website, including ready-made lessons and widgets that can add an extra level of interactivity to your lessons.

### Add interactivity to instruction

SMART Notebook software is the interactive foundation for many of our products. Once you have the software, you can easily integrate other SMART products into your lessons. SMART Notebook supports the multitouch capabilities of the SMART Board® 800 series interactive whiteboard, helping students interact with lesson material in richer and more engaging ways. You can easily incorporate assessment into your SMART Notebook lessons with SMART Response™ interactive response systems. And, using 3D Tools for SMART Notebook software or Mixed Reality Tools for SMART Document Camera™, you can add 3D content to make complex or abstract concepts more understandable and engaging.



## Key features

### Create

#### **Activity builder** – New in SMART Notebook 11

Create activities where objects react to actions by accepting or rejecting other objects and by triggering animations or sound. The activity builder is ideal for arranging, sorting, labeling and other activities.

#### **Insert sound**

Add sound to objects in your SMART Notebook lesson with one click. You can browse the Gallery for audio files of famous speeches, animal sounds, phonics, instruments and more.

#### **Sound recorder** – New in SMART Notebook 11

Record sound directly into your SMART Notebook lesson, with no need to switch between programs and files

#### **Crayon** – New in SMART Notebook 11

Draw authentic-looking crayon pictures in any color

#### **Custom creative pen** – New in SMART Notebook 11

Build your own creative pen using any image you choose. It's a fun way to engage students in a lesson.

#### **Table tool**

Create a table from the SMART Notebook software toolbar, then insert or drag text, images and objects into any cell. Cells are also easy to scale and move.

#### **Themes**

Create themed pages using elements such as fonts, colors and images, and apply them to SMART Notebook software pages

### Page groups

Organize the pages of a SMART Notebook file into groups. Drag pages into the groups, add new pages and show one group at a time in the Page Sorter.

### Teach

#### **Internet browser** – New in SMART Notebook 11

Add a web browser directly onto a SMART Notebook software page. Browse to a website and interact with the content by drawing or writing over the page. You can even drag and drop images into your lesson.

#### **Adaptive toolbar** – New in SMART Notebook 11

Choose a tool and the adaptive toolbar changes, so all the tools you need are right in front of you

#### **Gestures**

Zoom, pan, flick and swipe on your SMART Board 800 series interactive whiteboard. It's easy to scale objects or pages, toss an object or swipe between pages. You can also touch the interactive whiteboard to shake objects to group and ungroup them.

#### **Magic Pen**

Use this three-in-one tool to spotlight, magnify or zoom in on an image, or to make notes or drawings that disappear after 10 seconds

#### **Recognition features**

Write notes in digital ink and transform them into text, or draw a freehand shape and SMART Notebook will recognize and perfect it

### Screen shade

Conceal and reveal information, dragging the Screen Shade over your SMART Notebook software page

### Page recording

Teach a concept in SMART Notebook and record every step you take. In the replay, students will only see the on-screen actions.

#### **Reset page** – New in SMART Notebook 11

Quickly reset a page in a SMART Notebook file to its last saved state with one touch

#### **Irregular shape fill** – New in SMART Notebook 11

Draw any closed shape and then fill your drawing with solid colors, two-color gradients, images or patterns

### Manage

**Customize toolbar** – Put your most frequently used tools on your SMART Notebook software toolbar as a handy shortcut. Move the toolbar to the bottom of the screen for smaller students.

**Export files** – Save SMART Notebook files in various formats, including .ppt, .pdf, .iwb and .html. You can also save individual SMART Notebook software pages as separate image files (.jpeg, .png or .gif) for easy sharing.

**Administrator Toolkit** – Take advantage of the Install Manager, which lets you install SMART Notebook on networked computers

### Content

#### **The SMART Exchange website**

Discover more than 50,000 easy-to-use, relevant, classroom-ready resources and a growing online community

#### **Integrated widgets** – New in SMART Notebook 11

Add enhanced functionality to your SMART Notebook lessons by using widgets that integrate with the software. You can download these widgets from the SMART Exchange website.

#### **Gallery Essentials**

Choose from over 7,000 learning objects to enhance your lessons, including images, backgrounds, dynamic Adobe® Flash® files, video and audio content

**Team content** – Use the Team Content feature to access common Gallery content on a shared network drive

### System requirements

Supports Microsoft® Windows® and Mac operating systems. A version of the software is also available for Linux® operating systems, but some features may not be available. Find more details on our website at [smarttech.com/notebook](http://smarttech.com/notebook).

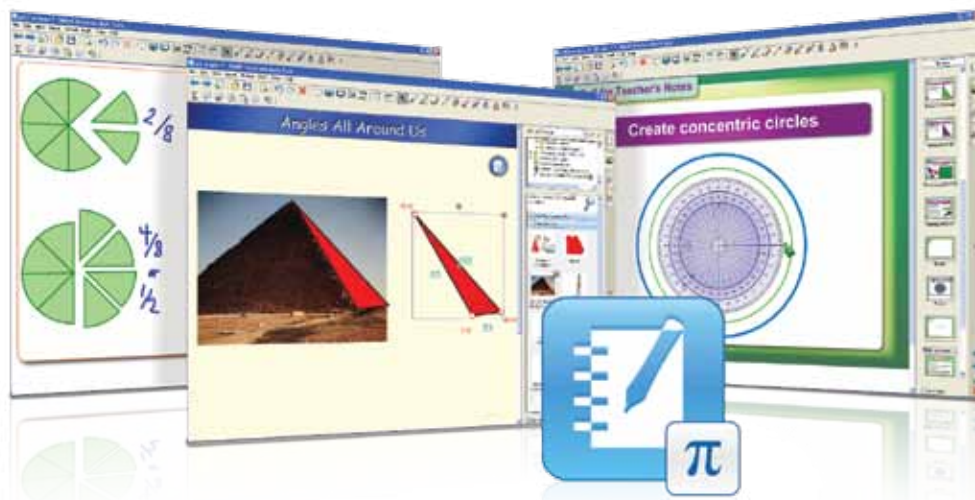
## Authorized reseller:

## SMART Technologies

Toll Free 1.866.518.6791 (U.S./Canada)

or +1.403.228.5940

[smarttech.com](http://smarttech.com)



## SMART Notebook™ Math Tools

### More tools for math

SMART Notebook Math Tools is an add-on to SMART Notebook software, giving teachers access to a comprehensive set of math-specific tools, in addition to all the great features and Gallery objects in SMART Notebook.

Create, explore, evaluate and solve with SMART Notebook Math Tools. As an add-on to award-winning SMART Notebook collaborative learning software, it combines all the tools that teachers need to teach math in a single application.

### One application for everything

With SMART Notebook Math Tools, teachers no longer have to switch between multiple software applications to access the tools they need to make math engaging and understandable. It centralizes teachers' essential math tools in one location. The software's customizable toolbar is built into SMART Notebook software, so it's quick and easy for teachers to access and incorporate dynamic tools into their math lessons.

### Lessons that measure up

With this software, teachers have an easy way to demonstrate math concepts visually, and make their lessons more interactive and easier to comprehend. SMART Notebook Math Tools provides teachers with all the tools they need to progress through an entire math concept – from lesson preparation to graphing and solving complex equations.

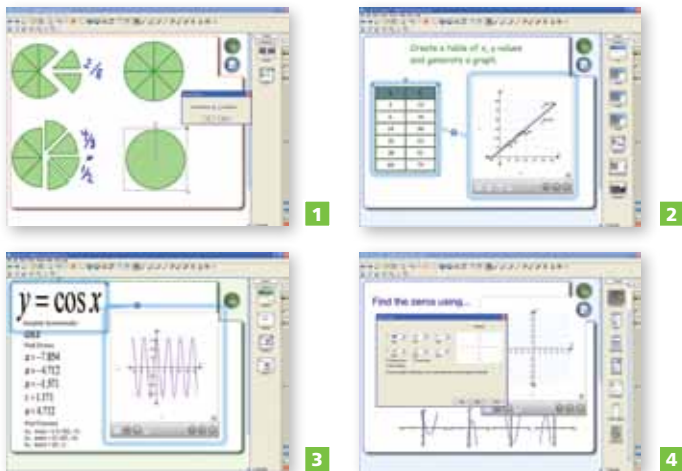
The large selection of dynamic and intuitive tools includes an advanced equation editor, Texas Instruments™ emulator launcher, custom graph builder, shape divider, and table and graphing tools. Teachers can easily demonstrate changes and relationships in math concepts using these flexible tools.

The software also offers handwriting recognition for mathematical equations. It means that teachers and students can simplify, solve and graph handwritten equations, making SMART Notebook Math Tools ideal for use on a SMART Board™ interactive whiteboard.

### Support for all learning styles

SMART Notebook Math Tools enables teachers to represent concepts symbolically, numerically and visually. Its comprehensive set of math tools improves engagement and retention for all students – no matter their learning style. The software is designed for middle and secondary math classrooms, but many of its tools are ideal for primary math lessons as well.





- 1 Show fractions visually, and divide and label each part with the shape division feature
- 2 Demonstrate relationships with the linkable table and graphing tools
- 3 Graph simple and complex equations with the software's interactive graphing capabilities
- 4 Easily create graphs with the Graph and Number Line Wizard or use the default graphs

### Key features

#### Add-on to SMART Notebook software

Access all the great features, tools and Gallery items in SMART Notebook software, as well as additional math-specific tools.

#### Advanced equation editor

Keep equations in the correct format. The advanced equation editor enables teachers to copy and paste equations or question sets from other software applications, such as Microsoft® Word, without reformatting. The software recognizes the equations, allowing teachers and students to simplify, solve and graph solutions.

#### TI emulator integration

If you are using a TI emulator (not included with SMART Notebook Math Tools), you can launch it with one click. The TI calculator will stay on top of the screen as teachers copy expressions into their lessons.

#### Shape division

Show fractions visually using shape division. Divide shapes such as circles and rectangles into equal parts, and each part can be labeled as a fraction of the whole.

#### Shape manipulation

Adjust vertices of any shape and watch the angle and line lengths change instantly. Adjust one angle and the corresponding side lengths change automatically. The display of side lengths can be turned on or off.

#### Handwriting recognition and solving

Handwrite and solve questions on the fly. SMART Notebook Math Tools recognizes handwritten mathematical equations and symbols. After equations are recognized, teachers can simplify, solve and graph solutions.

#### Table and graphing tools

Easily show the relationship between tables of values and their points plotted on a graph. Changed values on a graph are automatically reflected in the table and vice versa.

#### Graph and Number Line Wizard

Create graphs and number lines or use one of the default graphs or number lines for fast instruction during a lesson.

#### Integrated math engine

Evaluate simple and complex math expressions right inside SMART Notebook software without requiring a separate calculator.

#### Customizable math toolbar

Customize the default SMART Notebook software toolbar to show only the tools teachers want to see, or display a second toolbar with just math tools.

#### System requirements

##### Windows® operating system

Pentium III 750 MHz processor • 512 MB of RAM • 800 MB of free hard disk space for minimum installation (2 GB for full installation with Gallery collections) • Windows 7, Windows Vista® or Windows XP operating system • Internet Explorer Internet browser 6.0 or later • Adobe Flash player 10

##### Requirements for SMART Video Player

Pentium II 450 MHz processor (700 MHz or faster recommended) • Windows 2000 operating system or later • Microsoft DirectX application programming interface 8.1 or later

Authorized reseller:

SMART Technologies

Toll Free 1.866.518.6791 (U.S./Canada)

or +1.403.228.5940

[smarttech.com](http://smarttech.com)



## 3D Tools for SMART Notebook™

“It’s valuable for teachers because we can incorporate 3D images into our pre-existing Notebook lessons.”

**Dorothy Johnston**

6th-grade teacher, Monte Vista Elementary School, Montclair, California, USA

Add an immersive dimension to learning. This affordable plug-in for SMART Notebook collaborative learning software lets you import 3D content into your lessons, giving students new ways to connect with material and understand complex content.

### Discovery is a 3D adventure

With 3D Tools for SMART Notebook, students can explore anything from Saturn to the cerebellum – without leaving the classroom. From your SMART Notebook file, you can add a 3D image by simply dragging it from the Gallery or by inserting one you’ve downloaded from the SMART Exchange™ website. You can also download and import files from the Google™ 3D Warehouse and work with Google SketchUp files.

### Label images

It’s easy to create labels that help students comprehend and retain information in 3D images. Just type directly into a label or drag in your digital ink handwriting. Labels stay attached to the image, even as it rotates. You can save the file, along with any labels and handwritten annotations, and use it for another lesson.

### Immerse students in the scene

Many of the images you can explore with 3D Tools for SMART Notebook let you navigate directly into them. So you can see the interior of a castle or the inner workings of the human heart. This immersive experience allows students to approach objects from all possible angles, giving them multiple ways to process information.



- 1 Navigate inside a 3D model and move within the scene.
- 2 Label images by writing and dragging text into the label. Or type directly into the label.
- 3 Write in digital ink over images and save your annotations for later use.
- 4 Rotate models for an all-around view.

### Key features

#### Plug-in for SMART Notebook

After activation, 3D Tools for SMART Notebook is embedded into SMART Notebook software, saving you from running several different applications during a lesson.

#### Non-stereoscopic technology

No 3D glasses are required.

#### Content import

Drag 3D images from the Gallery in SMART Notebook software into your lesson or insert images you've downloaded from the SMART Exchange website or the Google 3D Warehouse. You can also work with Google SketchUp files.

#### Rotation handles

Explore models by moving them along a single axis or multiple axes.

#### Sticky labels

Attach labels to an object and they remain fixed to it, even when the object is rotated.

#### Digital ink

Write notes over 3D images or drag a handwritten phrase into a label. Save your annotations in the SMART Notebook file for later use.

#### Scene immersion

Navigate through the internal details of 3D models so students feel as if they are actually inside the object. Change orientation and move within the scene.

#### Disguise tool

Hide an image inside a magic hat, and pull it out with a simple touch to capture students' attention during a lesson.

---

## Authorized reseller:

### SMART Technologies

Toll free 1.866.518.6791 (U.S./Canada)

or +1.403.228.5940

[smarttech.com](http://smarttech.com)



## CoreFocus™

Designed for K–1 classrooms, CoreFocus is a content solution co-created by SMART and Hatch, a leading provider of early education products. CoreFocus has over 2,500 math and literacy learning activities designed in SMART Notebook collaborative learning software and aligned to the U.S. Common Core State Standards. With the intuitive navigation interface, you can quickly find engaging, relevant content and easily plan ahead using the activity calendar.

Co-created by SMART and Hatch Early Learning, CoreFocus is a K–1 content solution with over 2,500 math and literacy learning activities, intuitive search capabilities and lesson planning tools.

### Save time with a full year of ready-to-use activities

CoreFocus provides over 2,500 ready-to-use math and literacy SMART Notebook lesson activities organized by pre-emerging, emerging, developing and developed skill levels – making it easy to plan lessons for skill progression throughout the year. CoreFocus includes student portfolios to track progress and store work samples.

### Find activities by curriculum standard alignment

CoreFocus activities are interactive, with engaging visuals and audio content to support kinesthetic, auditory and visual learners. Every activity is aligned to the U.S. Common Core State standards. The search tool enables you to quickly and easily find activities by standard alignment and add them to the activity calendar.

### Add and customize content

Your existing SMART Notebook software content can be imported into CoreFocus and added to the searchable library. You can create your own lessons with the included templates or customize any CoreFocus activities and save your modified versions.

### Plan ahead with the intuitive activity calendar

CoreFocus makes it easy to incorporate the SMART Board interactive whiteboard into your daily lessons. The daily activity calendar enables you to schedule activities days, week or months in advance and create lesson plans for individual students, groups, classrooms or multiple classrooms – all from one place.

## Key features

### Integration with SMART Notebook software

CoreFocus provides over 2,500 math and literacy learning activities that are designed in SMART Notebook software.

### Aligned to U.S. Common Core State Standards

Every CoreFocus activity is aligned to the U.S. Common Core State Standards for K-1 in Language Arts and Mathematics. With the intuitive navigation tool, you can search for activities by standard and sub-standard.

### Research-based activities

CoreFocus activities have been developed using the latest studies on literacy and math. These studies are found under the Research tab in CoreFocus.

### Activities for every skill level

Activities are designed to support skill progression and are organized by pre-emerging, emerging, developing and developed skill levels.

### Embedded assessment

Corefocus includes built-in assessment tools, including question sets for the SMART Response interactive response system.

### Individual student portfolios

Individual student portfolios enable you to track progress and collect data throughout the school year.

### Content library

Browse the content library by correlated curriculum standards and skill levels and use the keyword activity search to find activities for a specific theme or topic, developmental level or group size.

### Activity calendar

Assign activities to individual students, groups, classrooms or multiple classrooms using the activity calendar. Plan lessons days, weeks or months ahead.

### Import and customize content

Import existing SMART Notebook software content and add it to the searchable content library in CoreFocus, and create your own content using the included customizable templates.



CoreFocus activities are interactive with engaging visuals and audio content to support kinesthetic, auditory and visual learners. And every activity is aligned to the US Common Core State standards for K-1.

## System requirements

### Microsoft® Windows® operating system

2.93 GHz processor • 2 GB RAM • 3 GB free hard disk space • DVD-RW optical drive • 2 available USB ports • Windows 7, Windows Vista® or Windows XP operating system • SMART Notebook software 10.6 or later • Adobe® Flash® Player 10

### Mac operating system software

1 GHz processor • 1 GB RAM • 3 GB free hard disk space • DVD-RW optical drive • 2 available USB ports • Mac OS X 10.5 or later • SMART Notebook software 10.6 or later • Adobe® Flash® Player 10

---

## Authorized reseller:

SMART Technologies

Toll Free 1.866.518.6791 (U.S./Canada)

or +1.403.228.5940

[smarttech.com](http://smarttech.com)